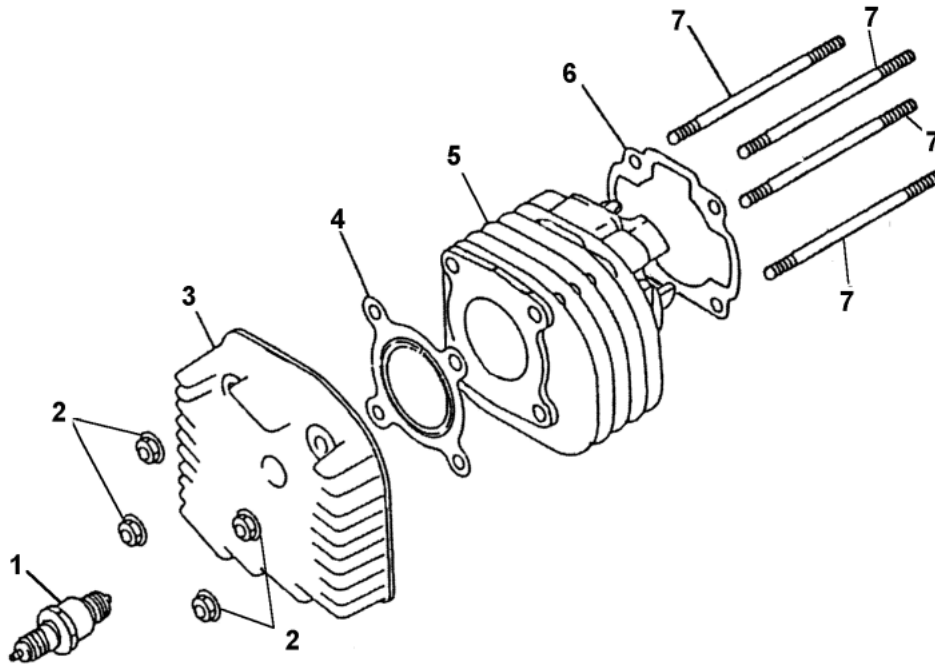


EXL-50

PARTS ITEM:

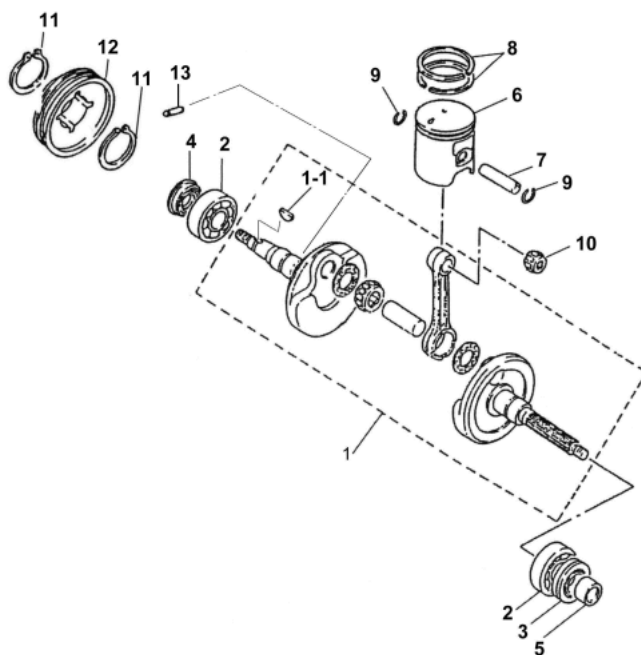
- 01 CYLINDER, HEAD
- 02 CRANKSHAFT, PISTON
- 03 FAN COVER, AIR SHROUD
- 04 AIR CLEANER, REED VALVE , CARBURETOR
- 05 CRANK CASE, COVER, OIL PUMP
- 06 TRANSMISSION
- 07 KICK SHAFT ASSY., STARTER CLUTCH ASSY.
- 08 DRIVEN PULLEY (CVT)
- 09 ENGINE ATV
- 10 GENERATOR, START MOTOR
- 14 MUFFLER
- 15 FRAME
- 16 FENDER
- 17 SWING ARM
- 18 SEAT
- 19 FUEL TANK
- 20 SUSPENSION
- 21 FRONT WHEEL
- 22 REAR WHEEL
- 23 FRONT BRAKE SYSTEM
- 24 REAR BRAKE SYSTEM
- 25 HANDLE BAR
- 26 BUMPER, FOOTREST
- 27 REAR WHEEL AXLE
- 28 STEERING
- 29 ELECTRICAL EQUIPMENT
- 30 PACKING CASE,EXTERNAL
- 31 OPIIONAL
- 32 OPTIONAL
- 33 OPTIONAL

1. CYLINDER, HEAD



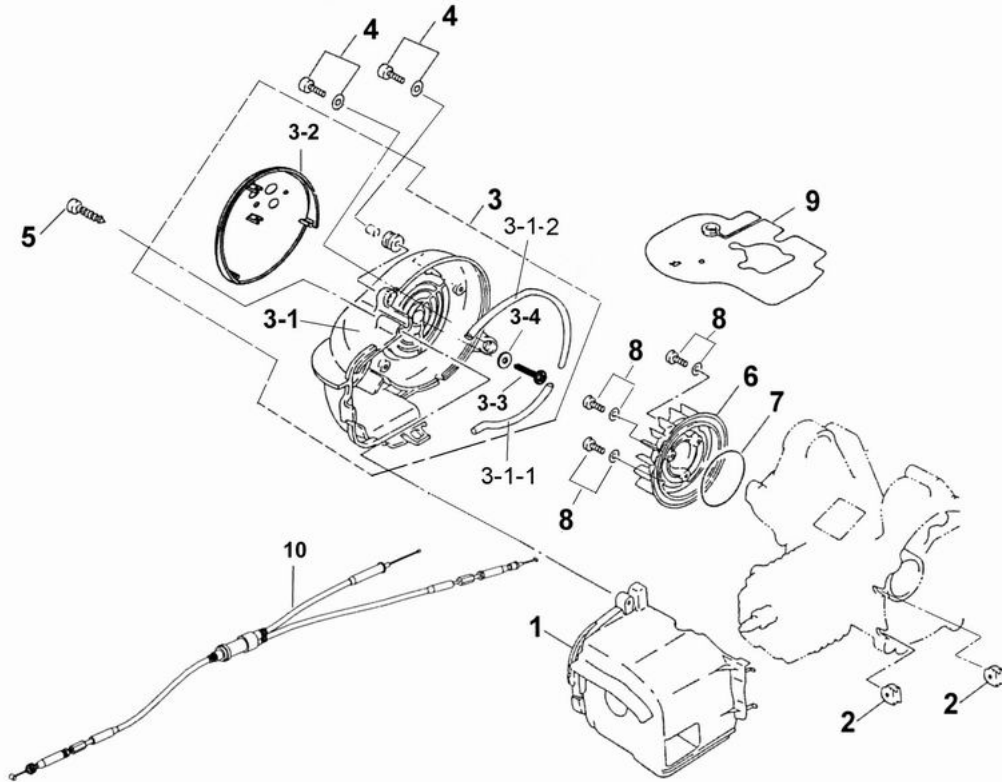
ITEM	PART NO.	NAME	QTY
01		CYLINDER, HEAD	
01-1	I8000-B00-0000	SPARK PLUG	1
01-2	I4050-07070-0H	NUT FLANGE	4
01-3	A2200-B02-0000	HEAD CYLINDER	1
01-4	A2251-B02-0000	GASKET CYLINDER HEAD	1
01-5	A2100-B02-0000	CYLINDER	1
01-6	A2191-B02-0000	GASKET CYLINDER	1
01-7	I0031-07109-0H	STUD BOLT	4

2. CRANKSHAFT, PISTON



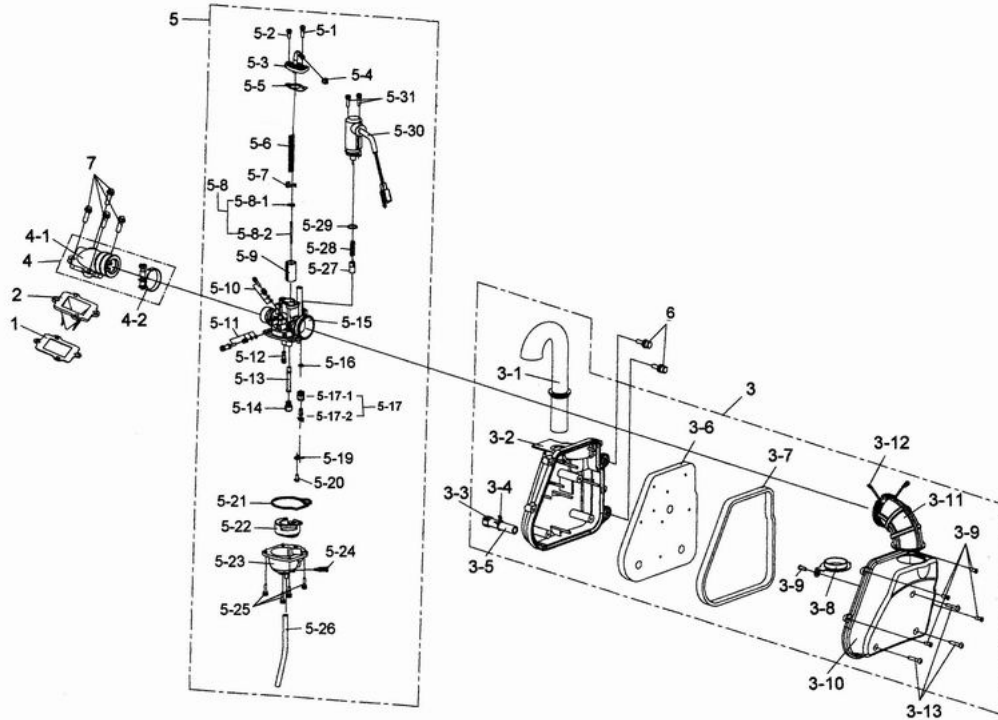
ITEM	PART NO.	NAME	QTY
02		CRANKSHAFT, PISTON	
02-1	A3000-B02-9001	CRANKSHAFT COMP	1
02-1-1	I4401-13050	WOODRUFF KEY	1
02-2	I6100-62044-10	BEARING, BALL, RADIAL	2
02-3	I1202-B00-0000	OIL SEAL	1
02-4	I1201-B00-0000	OIL SEAL	1
02-5	B8117-B02-0000	BOSS	1
02-6	A3101-B02-0000	PISTON	1
02-7	A3111-B02-0000	PIN PISTON	1
02-8	A3011-B02-0000	PISTON RING SET	1
02-9	I4601-B02-0000	CLIP, PISTON PIN	2
02-10	I1100-1014125	BEARING, NEEDLE	1
02-11	I4510-19000	CIRCLIP EX	2
02-12	A5131-B00-0000	GEAR PUMP DRIVE	1
02-13	I4303-03118	KNOCK PIN	1

3. FAN COVER, SHROUD



ITEM	PART NO.	NAME	QTY
03		FAN COVER, AIR SHROUD	
03-1	A9620-B02-0000	CYLINDER COVER	1
03-2	A1207-B00-0000	GROMMET	2
03-3	A961A-B00-0000	COVER FAN COMP	1
03-3-1	A9610-B00-0000	COVER COMP FAN	1
03-3-1-1	A9617-B00-0000	SEAL SHROUD 1	1
03-3-1-2	A9618-B00-0000	SEAL SHROUD 2	1
03-3-2	A9616-B00-0000	CAP FAN COVER	1
03-3-3	I3903-416B0	TRUSS	1
03-3-4	I4104-05316	WASHER	1
03-4	I3891-06020-0C	SCREW WASHER	2
03-5	I3901-240C0	SCREW TAPPING	1
03-6	A9510-B02-0000	FAN COMP COOLING	1
03-7	I4608-64431	O-RING	1
03-8	I3893-06016-0H	SCREW WASHER	3
03-9	H0153-B00-0000	DEFLECTOR	1
03-10	A7910-9FA0-0000	CABLE ASSY THROT	1

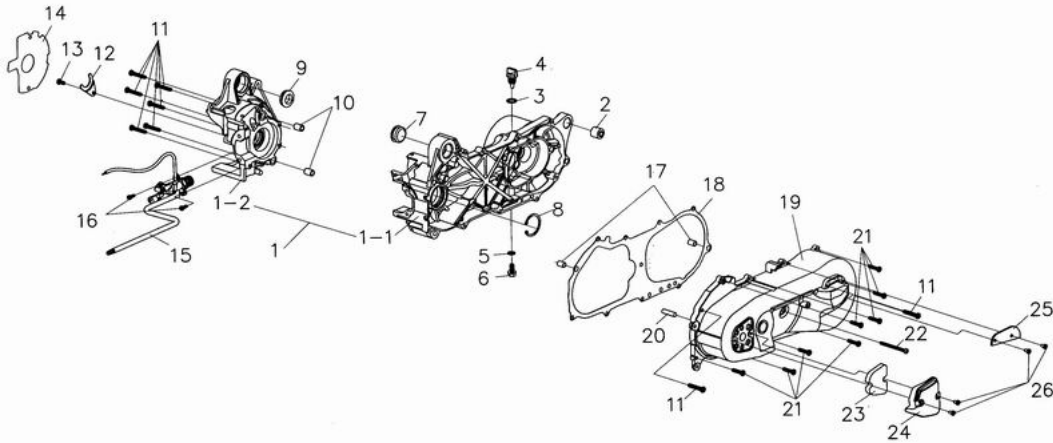
4. AIR CLEANER, REED VALVE, CARBURETOR



ITEM	PART NO.	NAME	QTY
04		AIR CLEANER, REED VALVE , CARBURETOR	
04-1	A6201-B00-0000	GASKET VALVE SEAT	1
04-2	A410A-B00-0000	REED VALVE ASSY	1
04-3	A720A-B00-7000	AIR CLEANER ASSY	1
04-3-1	A7257-B00-7000	DUCT	1
04-3-2	A7230-B00-0000	CASE AIR/C	1
04-3-3	A7232-B00-0000	CAP	1
04-3-4	I5002-12312	TUBE CLIP	1
04-3-5	A7234-B00-0000	TUBE DRAIN	1
04-3-6	A7205-B00-0000	WEB AIR/C	1
04-3-7	A7214-B00-0000	SEAL	1
04-3-8	A7233-B00-0000	PLATE FIXING CONNECTING TUBE	1
04-3-9	I3903-312B0	TRUSS	5
04-3-10	A7231-B00-0000	COVER AIR/C	1
04-3-11	A7253-B00-0000	JOIN PIPE AIR CLEANER	1
04-3-12	I5002-43022	TUBE CLIP	1
04-3-13	I3901-425C0	SCREW TAPPING	3
04-4	A711A-B00-0000	PIPE INLET ASSY	1
04-4-1	A7110-B00-0000	PIPE COMP INLET	1
04-4-2	A7256-B00-0000	BAND CONNECTING TUBE	1
04-5	A610A-B02-0001	CARBURETOR ASSY. (MJ #85)	1
04-5-1	A6111-B00-0000	BOLT WASHER	1
04-5-2	A6109-B00-0000	BOLT WASHER	1

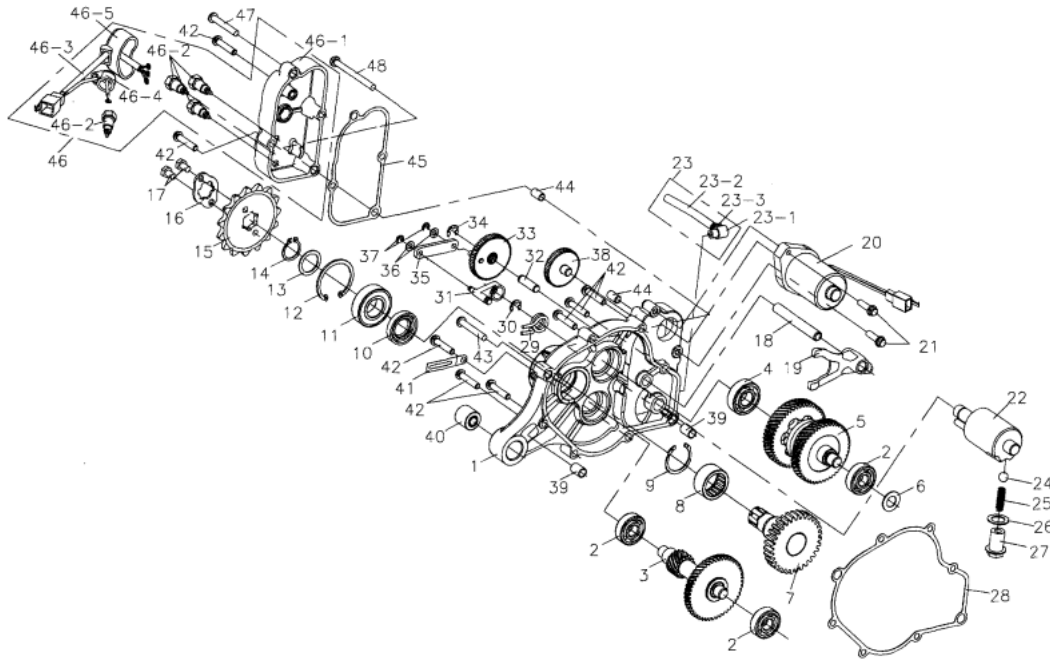
04-5-3	A6102-B00-0000	CARBURETOR COVER	1
04-5-4	A6112-B00-0000	NUT HEX	1
04-5-5	A6103-B00-0000	CARBURETOR COVER WASHER	1
04-5-6	KAC31810	THROTTLE VALVE SPRING	1
04-5-7	KAC30310	V CLIP	1
04-5-8	KAB90220	JET NEEDLE ASSY. (#3CR1)	1
04-5-8-1	KAC30222	E CLIP	1
04-5-8-2	KAB90221	JET NEEDLE (#3CR1)	1
04-5-9	KAC30110	THROTTLE VALVE (#3.0)	1
04-5-10	A6105-B00-0000	AIR FLOW ADJUSTING SCREW	1
04-5-11	KAC30840	THROTTLE ADJUSTING SCREW	1
04-5-12	KAC30510	SLOW JET (*20)	1
04-5-13	KAB90610	NEEDLE JET (*426 E-1)	1
04-5-14	KAC30410	MAIN JET # 85	1
04-5-15	A6104-B00-0000	CARBURETOR BODY	1
04-5-16	A6118-B00-0000	O-RING	1
04-5-17	A0001-B00-0000	NEEDLE VALVE SEAT COMP	1
04-5-17-1	A6119-B00-0000	NEEDLE VALVE SEAT	1
04-5-17-2	KAC31120	NEEDLE VALVE ASSY.	1
04-5-19	A6120-B00-0000	PLATE FIXING	1
04-5-20	A6115-B00-0000	BOLT	1
04-5-21	KAC30910	CHAMBER O-RING	1
04-5-22	KAC31210	FLOAT ASSY	1
04-5-23	A6108-B00-0000	CARBURETOR CHAMBER	1
04-5-24	KAC31410	DRAIN SCREW	1
04-5-25	A6117-B00-0000	BOLT WASHER	4
04-5-26	A6106-B00-0000	RUBBER TUBE	1
04-5-27	A6153-B00-0000	MANUAL CHOKE VALVE	1
04-5-28	A6152-B00-0000	SPRING	1
04-5-29	A6113-B00-0000	O-RING	1
04-5-30	KAC31910	AUTO-BY STARTER	1
04-5-31	A6114-B00-0000	BOLT WASHER	2
04-6	I6706-06020-0C	SCREW WASHER	2
04-7	I6001-06020-0H	BOLT FLANGE SH	4

5. CRANK CASE 、 COVER 、 OIL PUMP



ITEM	PART NO.	NAME	QTY
05		CRANK CASE, COVER, OIL PUMP	
05-1	A1000-B09-0000	CRANK CASE COMP	1
05-1-1	A1200-B09-0900	CRANK CASE LEFT	1
05-1-2	A1100-B09-0900	CRANK CASE RIGHT	1
05-2	A1203-B00-0000	RUBBER BUSH RR CUSHION	1
05-3	I4608-13825	O-RING	1
05-4	A5651-B00-0000	PLUG, OIL	1
05-5	I4104-08015	WASHER	1
05-6	I5701-08016-0H	BOLT FLANGE	1
05-7	A1205-B00-0000	RUBBER CAP LEFT	1
05-8	I4520-42000	CIRCLIP IN	1
05-9	A1105-B00-0000	CAP RUBBER R	1
05-10	I4301-12160	KNOCK PIN	2
05-11	I3500-06035-0A	SCREW PAN	8
05-12	A1121-B00-0000	HOLDER	1
05-13	I3500-06012-0A	SCREW PAN	1
05-14	A1393-B00-0000	GASKET R CRANK CASE	1
05-15	A510A-B02-9000	PUMP ASSY OIL	1
05-16	I3500-05014-0A	SCREW PAN HEAD	2
05-17	I4301-10140	KNOCK PIN	2
05-18	A1395-B00-0000	GASKET L COVER	1
05-19	A1341-B02-0000	COVER L SIDE	1
05-20	A1342-B00-0000	SHAFT	1
05-21	I3500-06025-0A	SCREW PAN	8
05-22	I3500-06065-0A	SCREW PAN	1
05-23	A1362-B02-0000	ELEMENT	1
05-24	A1363-B02-0000	COVER ELEMENT	1
05-25	A1364-B02-0000	PLATE	1
05-26	I3500-05008-0G	SCREW PAN HEAD	4

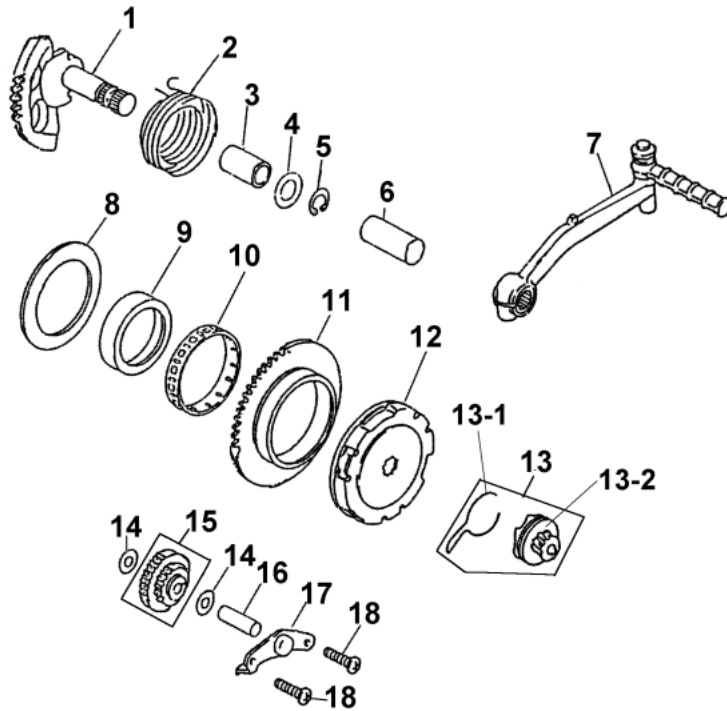
6. TRANSMISSION



ITEM	PART NO.	NAME	QTY
06		TRANSMISSION	
06-1	B1300-B07-0900	MISSION COVER	1
06-2	I6100-62013-10	BEARING, BALL, RADIAL	3
06-3	B3250-B07-0000	REVERSE SHAFT COMP	1
06-4	I6100-62020	BEARING, BALL, RADIAL	1
06-5	B3420-B07-0000	COUNTER SHAFT COMP	1
06-6	I4104-12310	WASHER	1
06-7	B3430-B07-0000	FINAL SHAFT COMP	1
06-8	I1130-253316	BEARING, NEEDLE	1
06-9	I4530-32000	CIRCLIP	1
06-10	I1204-B00-0000	OIL SEAL	1
06-11	I6150-60040-10	BEARING, BALL, RADIAL	1
06-12	I4520-42000	CIRCLIP IN	1
06-13	I4104-20210	WASHER	1
06-14	I4510-20000	CIRCLIP EX	1
06-15	B3801-B11-9000	SPROCKET, DRIVE	1
06-16	B3811-A00-0000	PLATE FIXING	1
06-17	I2201-06010-0H	BOLT	2
06-18	B4241-B07-0000	SHAFT GEAR SHIFT	1
06-19	B4231-B07-0000	FORK	1
06-20	C2300-B07-0000	MOTOR COMP SHIFT	1
06-21	I6001-06020-0H	BOLT FLANGE SH	2
06-22	B4300-B07-0000	DRUM COMP GEAR SHIFT	1

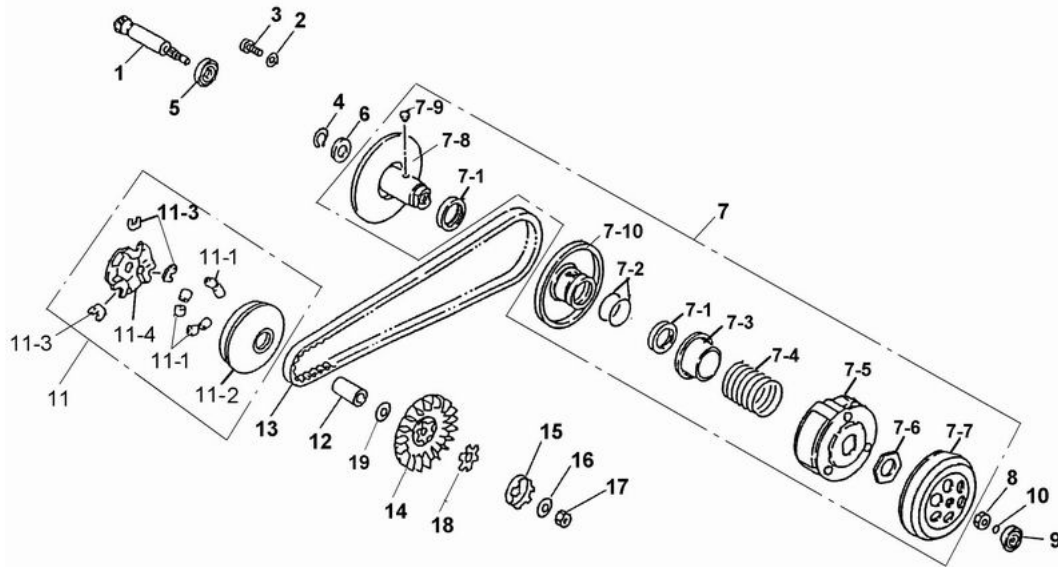
06-23	A1220-B00-0000	BREATHER COMP	1
06-23-1	A1206-B00-0000	JOINT, BREATHER	1
06-23-2	A1221-B00-0000	HOSE, BREATHER	1
06-23-3	I5002-06008	TUBE CLIP	1
06-24	B4307-V30-0000	BALL BEARING	1
06-25	B4306-V30-0000	SPRING FIXING	1
06-26	I4104-14210	WASHER	1
06-27	B4305-B07-0000	SCREW FIXING	1
06-28	B1395-B07-0000	GASKET MISSION COVER	1
06-29	B4303-B07-0000	SPRING GEAR SHAFT RETURN	1
06-30	I4540-1001G	CIRCLIP	1
06-31	B4600-B07-0000	DRIVEN ARM	1
06-32	B4463-B07-0000	SHAFT GEAR B	1
06-33	B4460-B07-0000	GEAR B COMP	1
06-34	I4540-0701G	CIRCLIP	1
06-35	B4500-B07-0000	CONNECT PLATE	1
06-36	I4101-05210	WASHER	2
06-37	I4540-0401A	CIRCLIP	2
06-38	B4450-B07-0000	GEAR A COMP	1
06-39	I4301-10140	KNOCK PIN	2
06-40	A1203-B00-0000	RUBBER BUSH RR CUSHION	1
06-41	C2963-A09-0000	CLAMPER DRAIN TUBE	1
06-42	I3500-06030-0A	SCREW PAN	8
06-43	I3500-06040-0A	SCREW PAN	1
06-44	I4301-08140	KNOCK PIN	2
06-45	B1396-B07-0000	GASKET MISSION SIDE COVER	1
06-46	B132A-B07-0000	SIDE COVER MISSION	1
06-46-1	B1320-B07-0900	SIDE COVER MISSION	1
06-46-2	C5750-B07-0000	SENSOR, SHIFT	4
06-46-3	C5760-B07-0000	SHIFT SWITCH LINE	1
06-46-4	B1321-B07-0000	DUST COVER A	1
06-46-5	B1322-B07-0000	DUST COVER B	1
06-47	I3500-06035-0A	SCREW PAN	1
06-48	I3500-06065-0A	SCREW PAN	1

7.KICK SHAFT ASSY., STARTER CLUTCH ASSY.



ITEM	PART NO.	NAME	QTY
07		KICK SHAFT ASSY., STARTER CLUTCH ASSY.	
07-1	B8250-B00-9000	SPINDLE COMP KICK START	1
07-2	B8281-B00-0000	SPRING KICK RETURN	1
07-3	B8254-B00-0000	BOSS KICK SPINDLE	1
07-4	I4104-15010	WASHER	1
07-5	I4510-15000	CIRCLIP EX	1
07-6	A1000-5EA0-0001	RUBBER CAP KICK SHAFT	1
07-7	B8300-B00-9001	ARM COMP KICK STARTER	1
07-8	I4104-55506	WASHER	1
07-9	B8115-B00-0000	BOSS GEAR	1
07-10	I1100-555913	BRARING, NEEDLE	1
07-11	B8110-B02-0000	GEAR COMP STARTING CLUTCH	1
07-12	B8120-B02-0000	OUTER COMP ST CLUTCH	1
07-13	B823A-B00-0000	GEAR ASSY STARTER IDLE	1
07-13-1	B8223-B00-0000	SPG KICK DRIVEN GEAR	1
07-13-2	B8230-B00-0000	GEAR COMP KICK DRIVEN	1
07-14	I4104-08218	WASHER	2
07-15	B8100-B02-0000	GEAR COMP STARTER REDUCTION	1
07-16	B8102-B02-0000	SHAFT START REDUCTION	1
07-17	B8105-B00-0000	PLATE START REDUCTION	1
07-18	I3892-06014-0H	SCREW WASHER	2

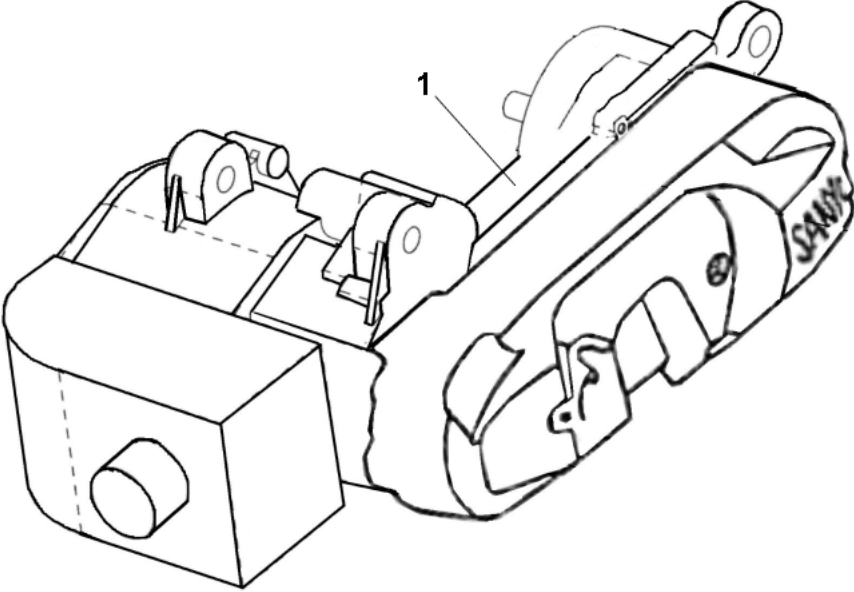
8.DRIVEN PULLEY (CVT)



ITEM	PART NO.	NAME	QTY
08		DRIVEN PULLEY (CVT)	
08-1	B3411-B07-0000	SHAFT DRIVE	1
08-2	I4104-06512A	WASHER	1
08-3	I3500-06010-0A	SCREW PAN	1
08-4	I4510-17000	CIRCLIP EX	1
08-5	I6100-60030	BEARING, BALL, RADIAL	1
08-6	I1203-B00-0000	OIL SEAL	1
08-7	B301A-B02-9000	PULLEY ASSY DRIVEN	1
08-7-1	I1211-B00-0000	OIL SEAL	2
08-7-2	I4608-36719	O-RING	2
08-7-3	B3237-B00-0000	COLLAR SEAL	1
08-7-4	B3233-B02-0000	SPG DRIVEN FACE	1
08-7-5	B2300-B02-9000	PLATE COMP DRIVE	1
08-7-6	I4002-281A0	NUT HEX	1
08-7-7	B2101-B00-0000	OUTER CLUTCH	1
08-7-8	B3210-B00-0000	FACE COMP DRIVEN	1
08-7-9	B3225-B00-0000	PIN GUIDE	2
08-7-10	B3220-B00-0000	FACE COMP MOVABLE DRIVE	1
08-8	I4050-10080-0H	NUT FLANGE	1
08-9	I6130-60380-10	BEARING, BALL, RADIAL	1
08-10	I4608-64531	O-RING	1
08-11	B211A-B02-0000	FACE ASSY MOVABLE DRIVE	1
08-11-1	B2121-B02-0000	ROLLER COMP WEIGHT	6
08-11-2	B2110-B02-0000	FACE COMP MOVABLE DRIVE	1
08-11-3	B2132-B00-0000	PIECE SLIDE	3
08-11-4	B2131-B02-0000	PLATE RAMP	1
08-12	B2105-B02-0000	BOSS DRIVE FACE	1

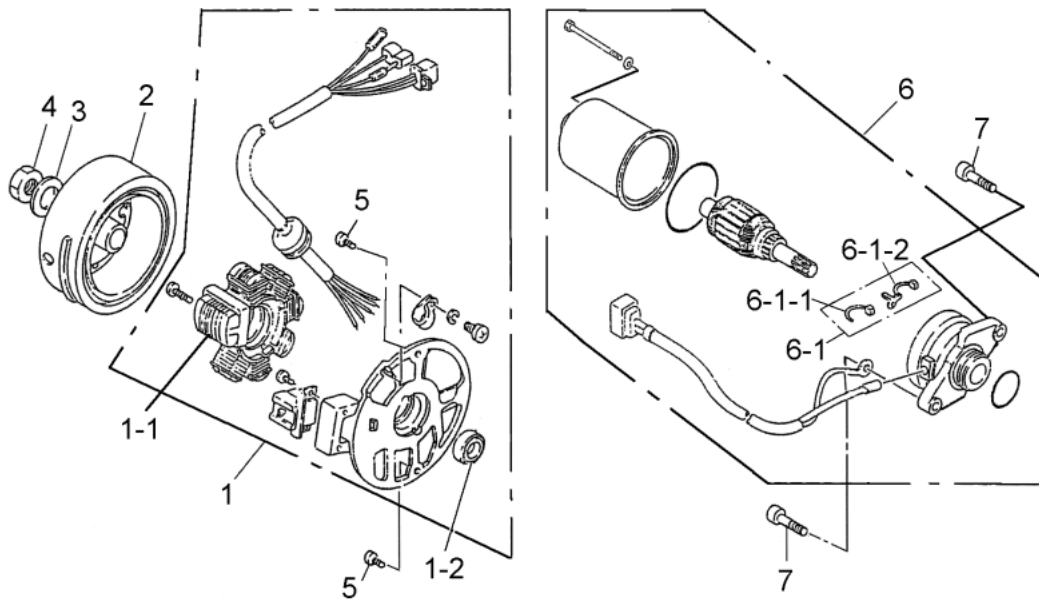
08-13	B3100-B00-0000	BELT DRIVE	1
08-14	B2102-B02-0000	FACE DRIVE	1
08-15	B8211-B02-0000	CLUTCH ONEWAY	1
08-16	I700W-10126	SPOKE NIPPLE WASHER	1
08-17	I4001-100C0	NUT HEX	1
08-18	B2103-B02-0000	WASHER DRIVE FACE	1
08-19	I4104-13010	WASHER	1

9.ENGINE BRACKET



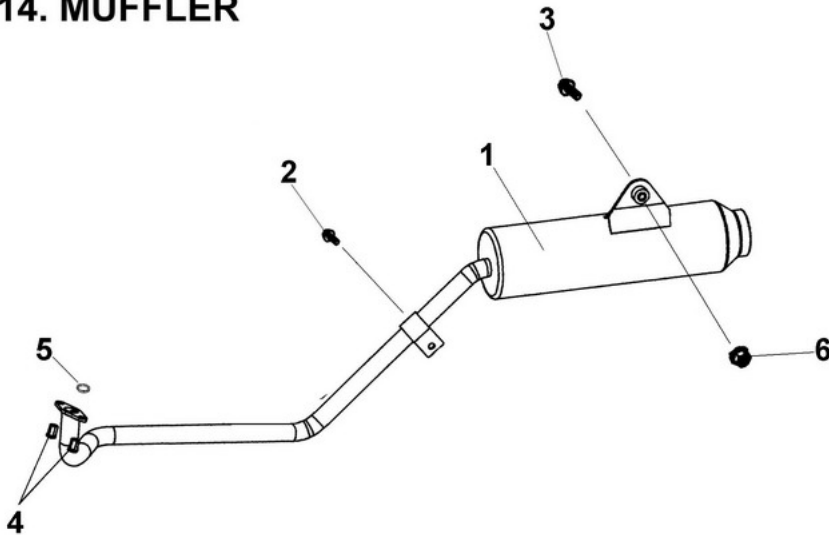
ITEM	PART NO.	NAME	QTY
09		ENGINE ATV	
09-1	AB000-B11-9000	ENGINE	1

10. GENERATOR / START MOTOR



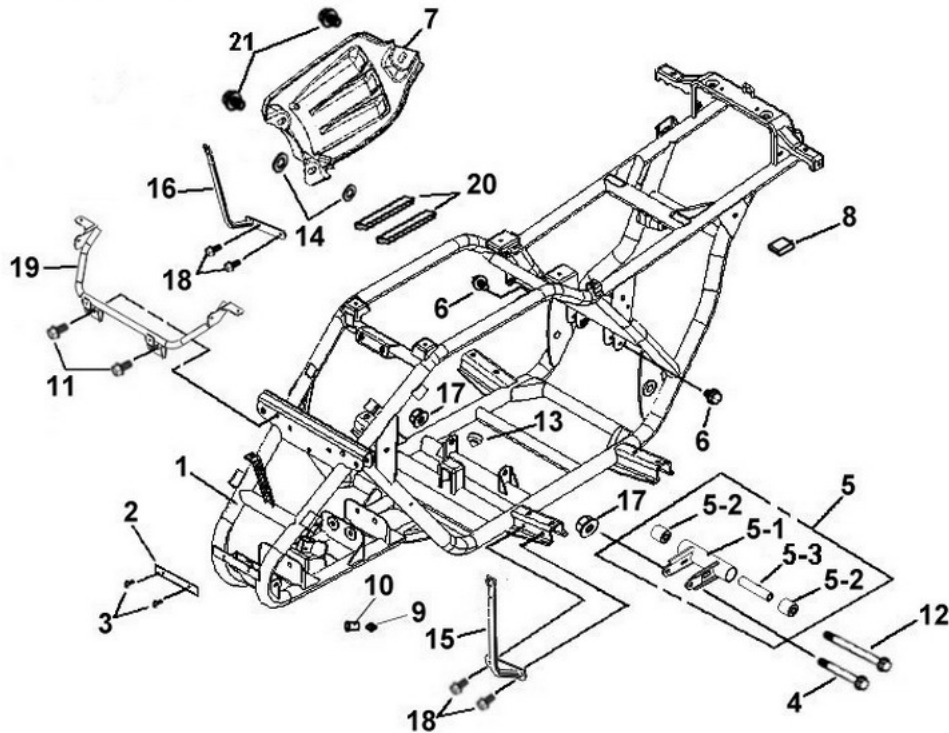
ITEM	PART NO.	NAME	QTY
10		GENERATOR, START MOTOR	
10-1	C1120-B00-0000	STATOR COMP	1
10-1-1	C1121-B00-0000	STATOR	1
10-1-2	I1205-B00-0000	OIL SEAL	1
10-2	C1110-B02-0000	FLYWHEEL COMP	1
10-3	I4102-10520	WASHER	1
10-4	I4001-100C0	NUT HEX	1
10-5	I3500-06016-0A	SCREW PAN	2
10-6	C1200-B02-0000	MOTOR START COMP	1
10-6-1	C1220-B00-0000	CARBON BRUSH COMP	1
10-6-1-1	C1221-B00-0000	POSITIVE CARBON BRUSH	1
10-6-1-2	C1222-B00-0000	NEGATIVE CARBON BRUSH	1
10-7	I6001-06022-0H	BOLT FLANGE SH	2

14. MUFFLER



ITEM	PART NO.	NAME	QTY
14		MUFFLER	
14-1	A830A-B11-9000	EXHAUST PIPE ASSY	1
14-2	I5821-08020	BOLT,FLANGE	3
14-3	I0149-08060	BOLT, FLANGE(M8x60)	1
14-4	I0149-06810	BOLT ,FLANGE (M6x18)	2
14-5	A8291-5AA0-0000	GASKET (34x25.4x4)	1
14-6	I5611-08200	NUT,FLANGE	1

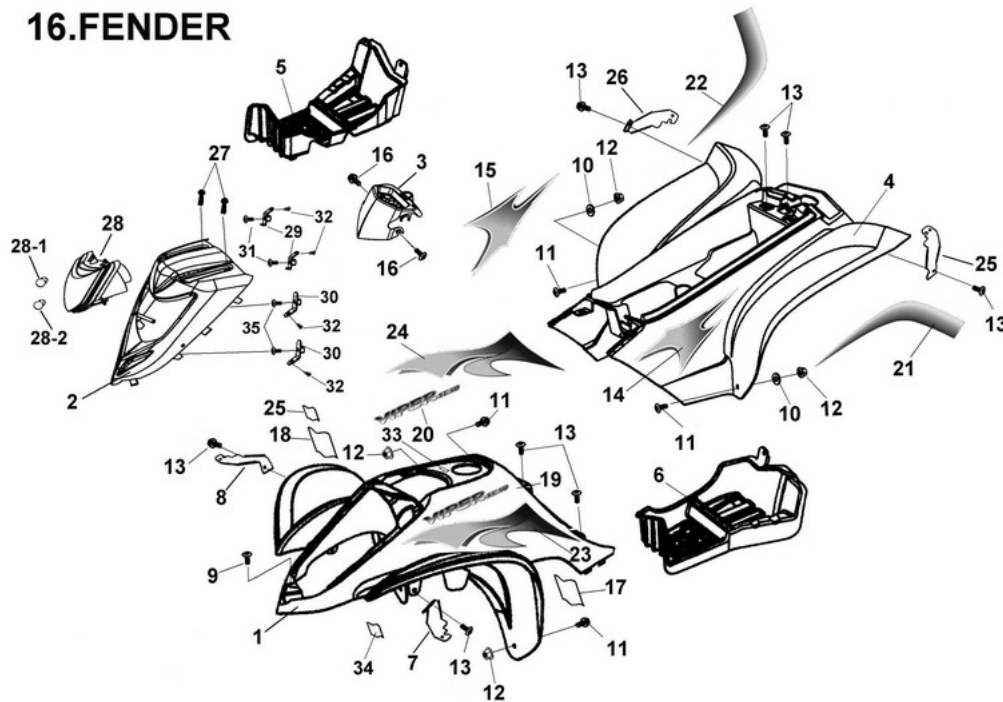
15.FRAME



ITEM	PART NO.	NAME	QTY
15		FRAME	
15-1	E0100-5IT0-0000	FRAME COMP	1
15-2	E0101-4HA0-0000	FRAME NUMBER PLATE(120x20x1.5)	1
15-3	H750A-5BA1-0000	NAIL, PULL	2
15-4	E0352-5EA0-0000	ENGINE SET BOLT(M10x85)	1
15-5	E035A-5IT0-0000	ENGINE SUSPENSION COMP	1
15-5-1	E0350-5IT0-0000	ENGINE SUSPENSION	1
15-5-2	E0201-5EA0-0000	BUSH (28.1x10x27x29)	2
15-5-3	E0360-9KA0-0000	COLLAR	1
15-6	I0149-08036-01	BOLT,FLANGE (M8x36)	2
15-7	D0103-5IT0-0000	FRONT DRIVE CHAIN COVER	1
15-8	G7223-5EB0-0000	RUBBER PAD	1
15-9	I6600-06000	GREASE VALVE(1/4")	1
15-10	E0209-5EA0-9000	CAP, GREASE VALVE	1
15-11	I0149-08016	SCREW ,FLANGE	2
15-12	I2502-10165-6C	HEXAGON FLANGE BOLT(M10x165)	1
15-13	G7232-9FA0-0000	PLUG RUBBER	1
15-14	A8304-5IT0-0000	GASKET HEAT INSULATOR	2
15-15	E0107-FID0-0000	LEFT, FIXED PLATE, FRONT FENDER	1
15-16	E0108-FID0-0000	RIGHT, FIXED PLATE, FRONT FENDER	1
15-17	I5612-10200	NUT, FLANGE CHECK(M10)	2
15-18	I0149-06012	BOLT, FLANGE	4
15-19	E0105-FID0-0000	FIXED PLATE, FRONT FENDER	1

15-20	A7509-FID0-0000	LH. BACK MIRROR ASSY	2
15-21	I5821-08020	BOLT,FLANGE	2

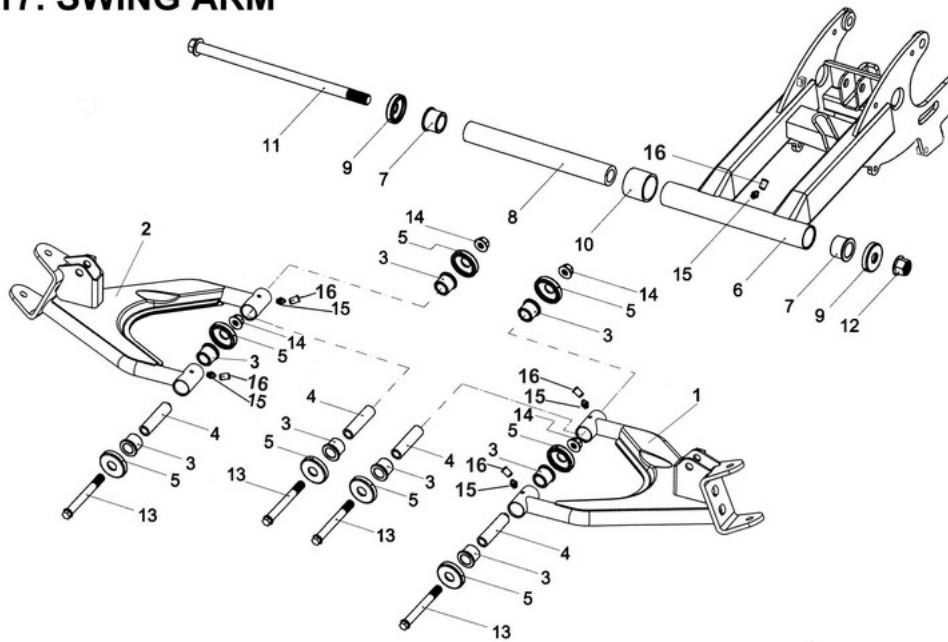
16.FENDER



ITEM	PART NO.	NAME	QTY
16		FENDER	
16-1	F4300-FID0-0800	FRONT FENDER (BLACK)	1
16-1	F4300-FID0-1100	FRONT FENDER (YELLOW)	1
16-1	F4300-FID0-5400	FRONT FENDER (BLUE)	1
16-2	F4301-FIE0-1100	FRONT CENTRAL COVER(YELLOW)	1
16-2	F4301-FIE0-0700	FRONT CENTRAL COVER(SILVER)	1
16-2	F4301-FIE0-5400	FRONT CENTRAL COVER(BLUE)	1
16-3	E3205-FIE0-0800	COVER,HANDLE BAR UP(BLACK)	1
16-3	E3205-FIE0-1100	COVER,HANDLE BAR UP(YELLOW)	1
16-3	E3205-FIE0-5400	COVER,HANDLE BAR UP(BLUE)	1
16-4	H3500-FID0-0800	REAR FENDER(BLACK)	1
16-4	H3500-FID0-1100	REAR FENDER(YELLOW)	1
16-4	H3500-FID0-5400	REAR FENDER(BLUE)	1
16-5	H3620-FID0-0800	FOOTREST, RIGHT	1
16-6	H3520-FID0-0800	FOOTREST, LEFT	1
16-7	C3104-FIE0-0000	PLATE LEFT FRONT DIRECTION	1
16-8	C3105-FIE0-0000	PLATE RIGHT FRONT DIRECTION	1
16-9	I0119-06802	BOLT+WASHER	1
16-10	I4104-06515	NO:065 WASHER	2
16-11	I0149-06823-01	BOLT,FLANGE(M6x23)	4
16-12	I5611-06200-0G	NUT,SELF LOCK(M6)	4
16-13	I0119-06821	BOLT+WASHER	8
16-14	H7128-FID0-4200	STICKER,REAR BODY (RED)(L)	1

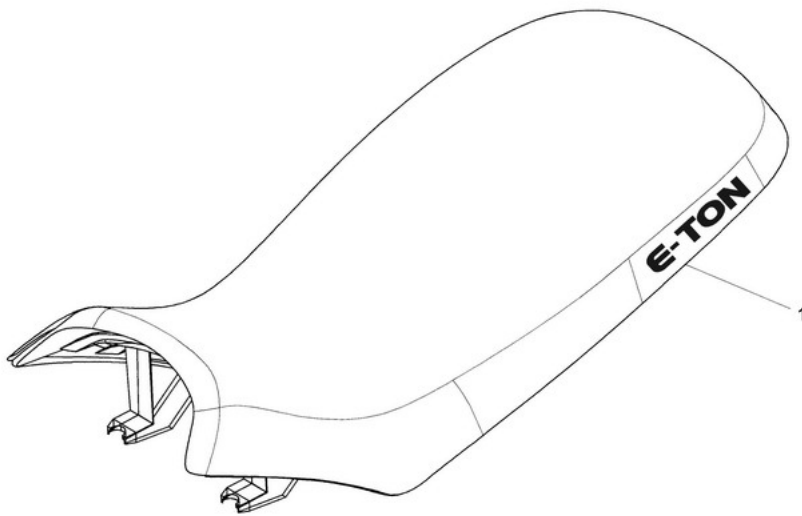
16-14	H7128-FID0-0700	STICKER,REAR BODY (SILVER)(L)	1
16-14	H7128-FID0-1100	STICKER,REAR BODY (YELLOW)(L)	1
16-15	H7129-FID0-4200	STICKER,REAR BODY (RED)(R)	1
16-15	H7129-FID0-1100	STICKER,REAR BODY (YELLOW))(R)	1
16-15	H7129-FID0-0700	STICKER,REAR BODY (SILVER)(R)	1
16-16	I8556-06012	SCREW WASHER	2
16-17	H7129-9EF0-0000	STICKER,INDICATE GEAR	1
16-18	H7100-5FA0-0000	LABEL TIRE	1
16-19	H7103-5IT0-0000	STICKER, VIPER ST-50 (L)	1
16-20	H7104-5IT0-0000	STICKER, VIPER ST-50 (R)	1
16-21	H7126-FID0-0000	STICKER,REAR FENDER(L)	1
16-22	H7127-FID0-0000	STICKER,REAR FENDER(R)	1
16-23	H7124-FID0-1100	FRONT BODY STICKER (YELLOW)(L)	1
16-23	H7124-FID0-0700	FRONT BODY STICKER (SILVER)(L)	1
16-23	H7124-FID0-4200	FRONT BODY STICKER (RED)(L)	1
16-24	H7125-FID0-0700	FRONT BODY STICKER (SILVER) (R)	1
16-24	H7125-FID0-1100	FRONT BODY STICKER (YELLOW) (R)	1
16-24	H7125-FID0-4200	FRONT BODY STICKER (RED) (R)	1
16-25	C3106-FIGT-0000	PLATE LEFT REAR DIRECTION	1
16-25	C3106-FIE0-0000	PLATE LEFT REAR DIRECTION	1
16-26	C3107-FIGT-0000	PLATE RIGHT REAR DIRECTION	1
16-26	C3107-FIE0-0000	PLATE RIGHT REAR DIRECTION	1
16-27	I8310-FIA0-0000	PLASTICS SCREW	2
16-28	C5030-FIE0-9000	HEAD LIGHT	1
16-28-1	C5031-FIE0-0000	HEAD BULB	1
16-28-2	C5032-FIE0-0000	POSITION LIGHT BULB	1
16-29	E0110-FIE0-0000	HEAD LIG HT HOLDER A	2
16-30	E0111-FIE0-9000	HEAD LIG HT HOLDER B	2
16-31	I8556-06016	SCREW WASHER	2
16-32	I0110-40120	SCREW,TAPPING	4
16-33	H7137-FID0-0000	STICKER, ON"N" SHIFT TO START	1
16-34	H7131-FIB0-0000	STICKER,POWER SUPPLY	1
16-35	I8556-06020	SCREW, PAN HEAD (M6x20)	2

17. SWING ARM



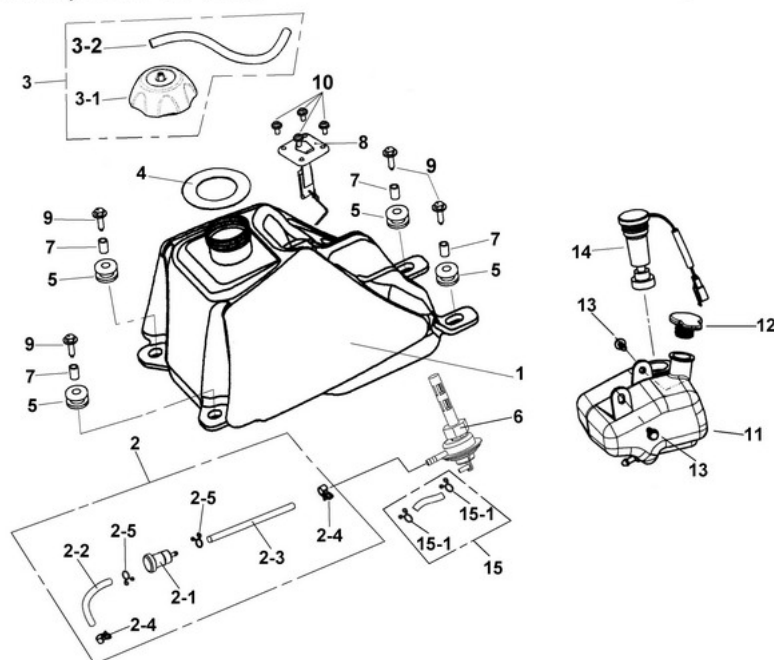
ITEM	PART NO.	NAME	QTY
17		SWING ARM	
17-1	E0200-FIA0-1000	ARM, SUSPENSION, L.H.	1
17-2	E0210-FIA0-1000	ARM, SUSPENSION, R.H.	1
17-3	E0201-FIA0-0000	BUSH, ARM SUSPENSION	8
17-4	E0209-FIA0-0000	SPACER	4
17-5	E2205-4HA0-0000	SWING ARM SEAL COVER (25.4)	8
17-6	E220A-FID0-0000	SWING ARM SUB ASSY.	1
17-7	E2208-5EA0-0000	SWING ARM OIL LINER(20)	2
17-8	E2209-FIA0-0000	SPACER	1
17-9	E2205-5EA0-0000	SWING ARM SEAL COVER(30.8x38.5x7x14)	2
17-10	E2202-FIA0-0000	RUBBER SLEEVE	1
17-11	E2201-FIA0-0000	BOLT,SWING RAM SET CHECK(M14x265)	1
17-12	I5611-14200	NUT, FLANGE CHECK (M14)	1
17-13	I0149-10080	BOLT,FLANGE(M10x80)	4
17-14	I5611-10200	NUT,FLANGE CHECK	4
17-15	I6600-06000	GREASE VALVE(1/4")	5
17-16	E0209-5EA0-9000	CAP, GREASE VALVE	5

18. SEAT



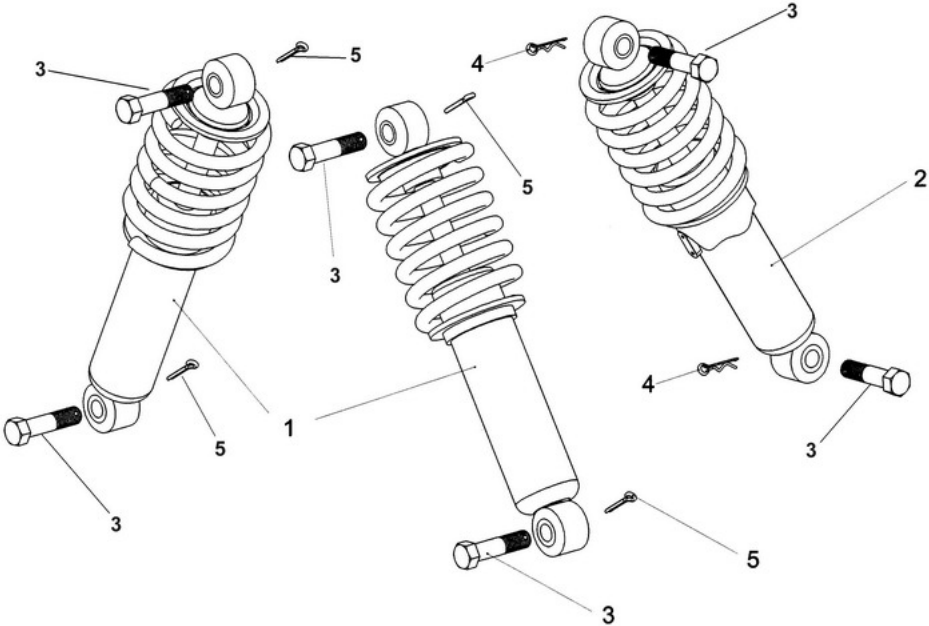
ITEM	PART NO.	NAME	QTY
18		SEAT	
18-1	G7200-FIE0-0700	SEAT ASSY.(SILVER)	1
18-1	G7200-FIE0-1100	SEAT ASSY.(YELLOW)	1
18-1	G7200-FIE0-4200	SEAT ASSY.(RED/BRACK)	1

19. FUEL TANK, OIL TANK



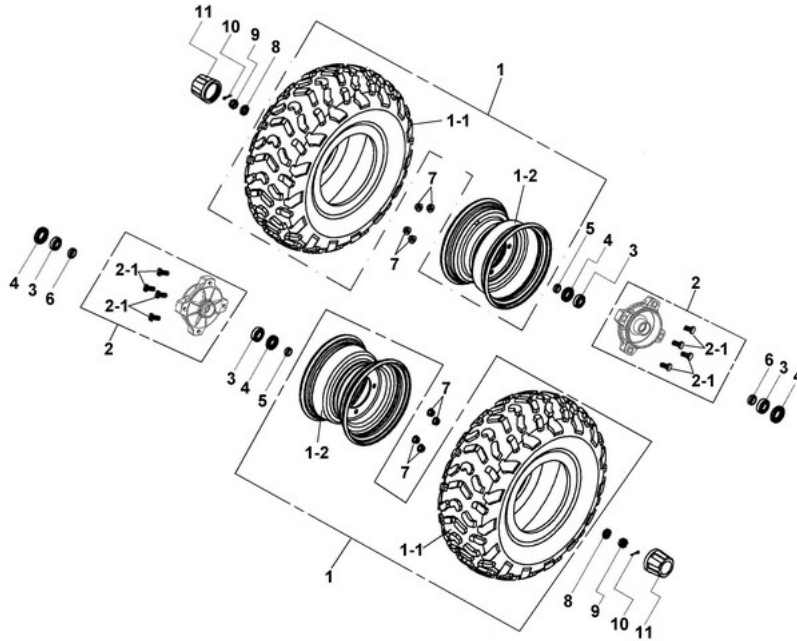
ITEM	PART NO.	NAME	QTY
19		FUEL TANK	
19-1	A7500-FID0-0001	FUEL TANK COMP	1
19-2	A751A-5IT0-0000	FUEL FILTER ASSY	1
19-2-1	A7519-FIA0-1000	FILTER COMP FUEL	1
19-2-2	A7514-5EA0-0000	FUEL TUBE (A)	1
19-2-3	A7515-5IT0-0000	FUEL TUBE (B)	1
19-2-4	A7517-FIA0-0000	CLIP	2
19-2-5	A7516-5EA0-0000	CLIP(A)	2
19-3	A762A-9FA0-0000	FUEL TANK CAP ASSY.	1
19-3-1	A7620-9FA0-0000	FUEL TANK CAP	1
19-3-2	A7621-9FA0-0000	BREATHE TUBE	1
19-4	A7622-9FA0-0000	RUBBER PAD, FUEL TANK CAP	1
19-5	A7510-FIA0-0000	FUEL TANK RUBBER PAD	4
19-6	A6701-FIA0-0000	FUEL COCK ASSY.	1
19-7	A7511-FIA0-0000	RUBBER INSULATOR	4
19-8	C780A-FIA0-0000	METER FUEL LEVER	1
19-9	I7507-06225	BOLT,HEXAGON HEAD(M6x25)	4
19-10	I0200-50160	BOLT,WITH WASHER	4
19-11	E5100-9EF0-0000	OIL TANK	1
19-12	E5105-5EA0-0000	OIL TANK CAP	1
19-13	I0119-06821	BOLT+WASHER	2
19-14	C5410-5EE0-0000	OIL TANK BUOY.	1
19-15	A751B-FIA0-0000	VACUUM TUBE COMP	1
19-15-1	A7518-FIA0-0000	CLIP	2

20. SUSPENSION



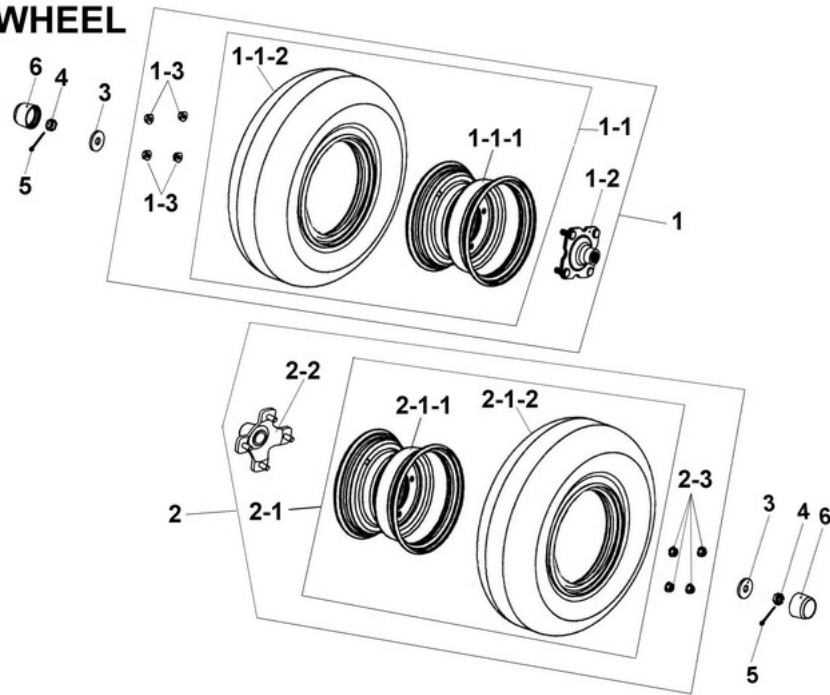
ITEM	PART NO.	NAME	QTY
20		SUSPENSION	
20-1	E1105-5IT0-0100	SUSPENSION, FRONT(YELLOW)	2
20-1	E1105-5IT0-0700	SUSPENSION, FRONT(SILVER)	2
20-2	E2400-FID0-0200	SUSPENSION, REAR(RED)	1
20-3	I0102-10040B	BOLT HOLE	6
20-4	I0468-12006	PIN	2
20-5	I9900-25019	COTTER PIN	4

21. FRONT WHEEL



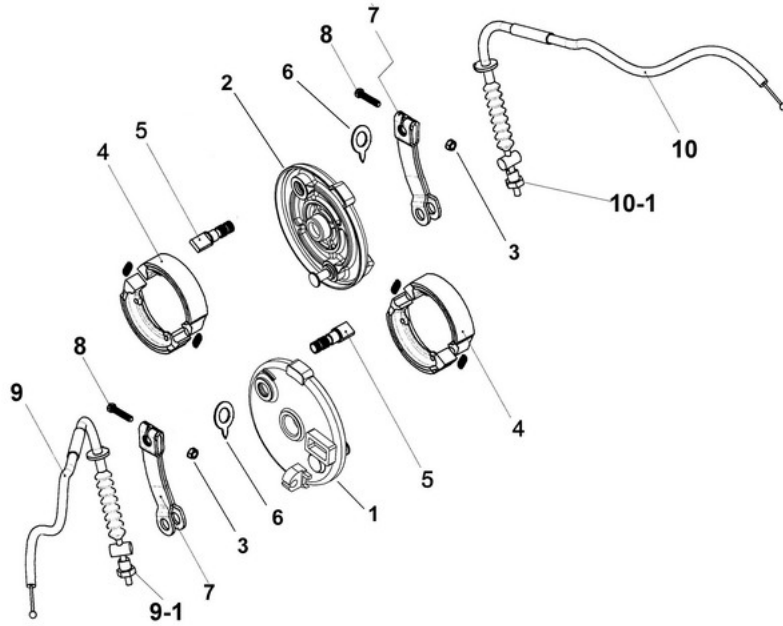
ITEM	PART NO.	NAME	QTY
21		FRONT WHEEL	
21-1	D471A-5IT0-0S00	FRONT WHEEL COMP	2
21-1-1	D4710-5IT0-0000	WHEEL TIRE (20*6-10)	2
21-1-2	D4601-FIA0-9S00	WHEEL RIM (10*5.5")	2
21-2	D4610-FIA0-9000	BRAKE DRUM, FRONT	2
21-2-1	D4612-9FA0-0000	BOLT,STUD	8
21-3	I6100-6003LLU	BEARING(6003LLU)	4
21-4	I1307-24035-10	OIL SEAL	4
21-5	D4621-FIA0-0000	OUTER SPACER	2
21-6	D4620-FIA0-0000	INNER SPACER	2
21-7	D4611-9EA0-0000	NUT,FLANGE CHECK(M10)	8
21-8	I9905-14200	WASHER	2
21-9	I5500-14100	CASTLE NUT	2
21-10	I4201-46325	COTTER PIN	2
21-11	D4609-9FA0-0000	RUBBER CAP	2

22. REAR WHEEL



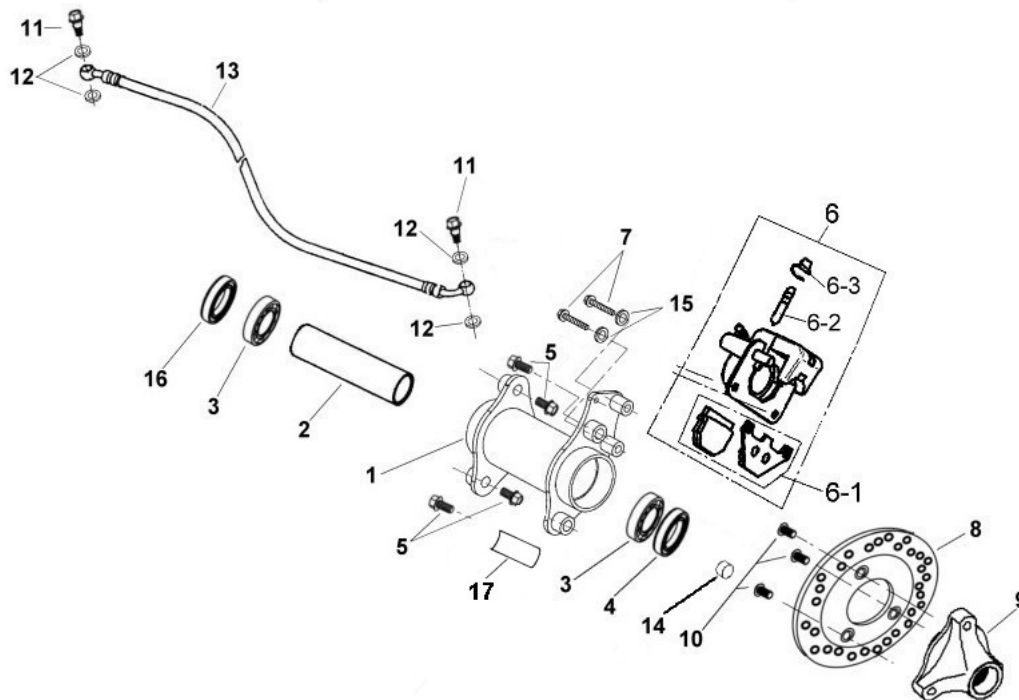
ITEM	PART NO.	NAME	QTY
22		REAR WHEEL	
22-1	D472C-5IT0-0S00	REAR WHELL ASSY,LEFT	1
22-1-1	D471C-5IT0-0S00	REAR WHEEL COMP,LEFT	1
22-1-1-1	D4720-5IT0-0000	WHEEL TIRE (20*10-9)	1
22-1-1-2	D4602-FID0-0S00	WHEEL RIM (9*8")	1
22-1-2	D2705-FID0-0000	SHAFT CONNECTER WITH BOLTS	1
22-1-3	D4611-9EA0-0000	NUT,FLANGE CHECK(M10)	4
22-2	D472D-5IT0-0S00	REAR WHELL ASSY,RIGHT	1
22-2-1	D471D-5IT0-0S00	REAR WHEEL COMP,RIGHT	1
22-2-1-1	D4720-5IT0-0000	WHEEL TIRE (20*10-9)	1
22-2-1-2	D4602-FID0-0S00	WHEEL RIM (9*8")	1
22-2-2	D2705-FID0-0000	SHAFT CONNECTER WITH BOLTS	1
22-2-3	D4611-9EA0-0000	NUT,FLANGE CHECK(M10)	4
22-3	D2309-5EA0-0000	WASHER	2
22-4	I4012-140H0	CASTLE NUT(M14)	2
22-5	I4201-46325	COTTER PIN	2
22-6	D4609-5EA0-0000	RUBBER CAP	2

23. FRONT BRAKE



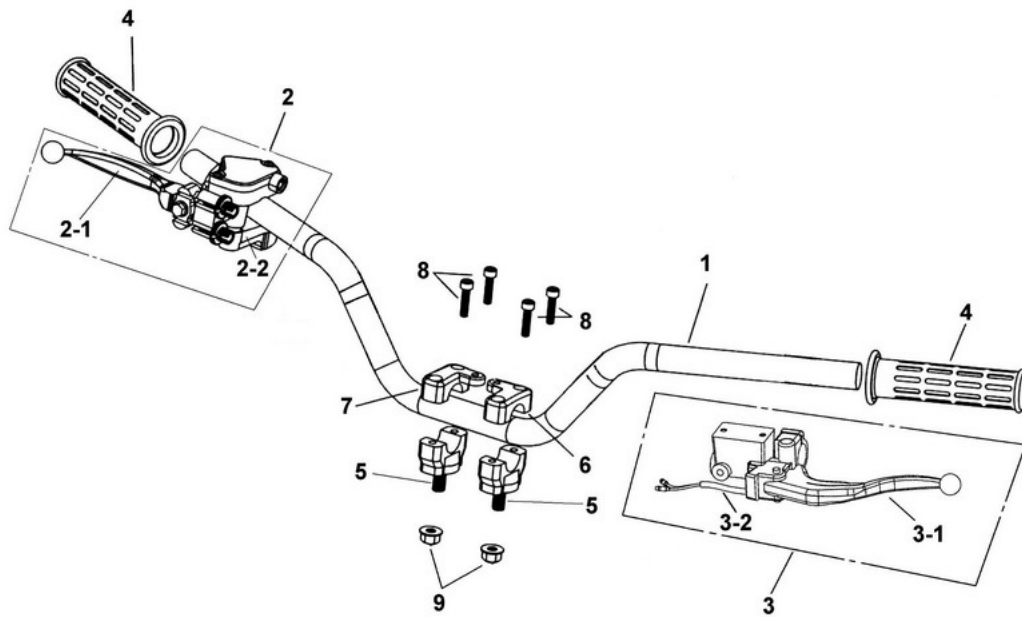
ITEM	PART NO.	NAME	QTY
23		FRONT BRAKE SYSTEM	
23-1	D5351-FIA0-0000	FRONT BRAKE PANEL COMP., LEFT	1
23-2	D5352-FIA0-0000	FRONT BRAKE PANEL COMP., RIGHT	1
23-3	I5707-06500	NUT	2
23-4	D312A-A04-8000	FRONT BRAKE SHOE COMP. (80)	2
23-5	D5141-FIA0-1000	FRONT BRAKE ARM CAM	2
23-6	D5145-FIA0-0000	BRAKE INDICATOR,FRONT	2
23-7	D5410-FIA0-0000	FRONT BRAKE ARM	2
23-8	I0020-06030	BOLT(M6x30)	2
23-9	E5450-FIA0-1000	CABLE, FRONT BRAKE(LEFT)	1
23-9-1	E5452-FIA0-1000	NUT,ADJUSTING	1
23-10	E5451-FIA0-1000	CABLE, FRONT BRAKE(RIGHT)	1
23-10-1	E5452-FIA0-1000	NUT,ADJUSTING	1

24.REAR BRAKE(HYDRAULIC DISC BRAKE)



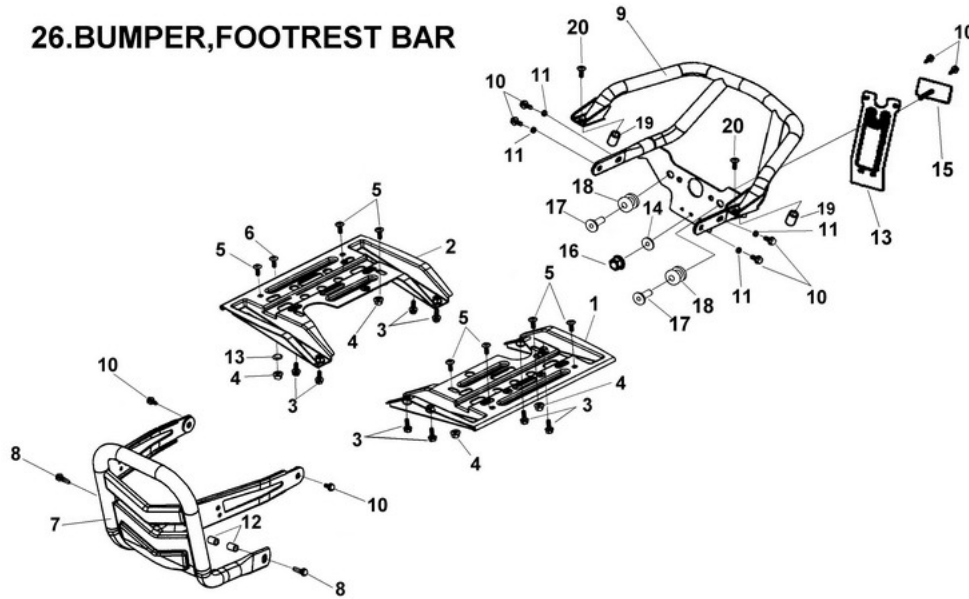
ITEM	PART NO.	NAME	QTY
24		REAR BRAKE SYSTEM	
24-1	D2310-5IT0-0000	BEARING SEAT ASSY., REAR WHEEL AXLE	1
24-2	D2311-FIA0-0000	SPACER	1
24-3	I6100-6007LLU	BEARING(6007LLU)	2
24-4	D2315-FIA0-0000	OIL SEAL	1
24-5	I0141-12036-01	BOLT,FLANGE (M12x36)	4
24-6	G7130-5EE0-0000	BRAKE CALLIPER	1
24-6-1	G7131-5EE0-0000	BRAKE SHOE COMP	1
24-6-2	G7132-5EE0-0000	BOLT LEAKAGE	1
24-6-3	G7133-BCA0-0000	CAP LEAKAGE	1
24-7	I0105-08035	BOLT FLANGE	2
24-8	D3520-FIA0-0000	BRAKE DISK	1
24-9	D3251-FIA0-0000	BRAKE DISK MOUNTING SEAT	1
24-10	I0110-10811	BOLT,ROUND HEAD(M10)	3
24-11	I0401-10034	BOLT FLANGE	2
24-12	I0201-10118	WASHER	4
24-13	D3210-5IT0-0000	REAR BRAKE OIL TUBE	1
24-14	C7205-FIGT-0000	MAGNET	1
24-15	I9901-08100	SPRING WASHER	2
24-16	D2313-FIA0-0000	OIL SEAL(48x62x7)	1
24-17	H7106-FIA0-0000	WARNING STICKER , CHAIN	1

25.HANDLE BAR



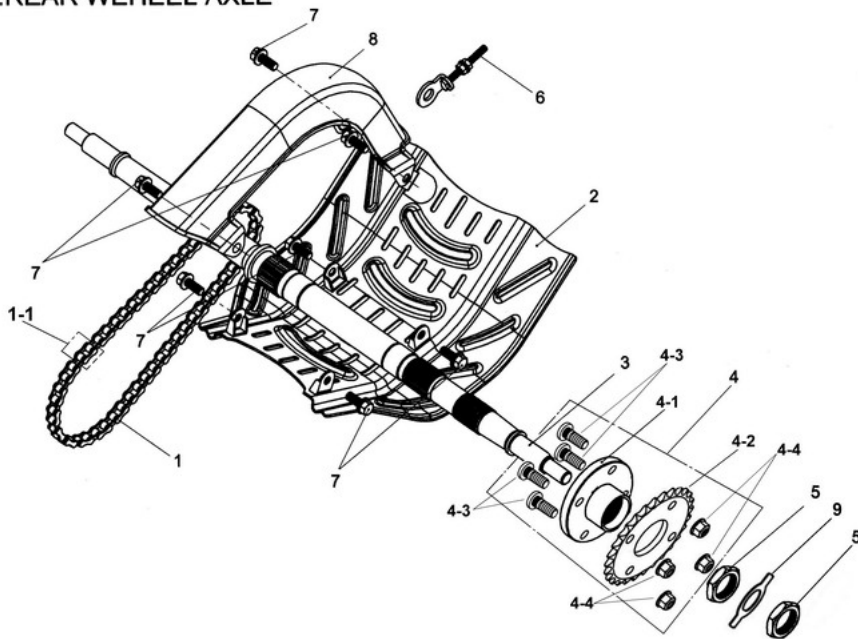
ITEM	PART NO.	NAME	QTY
25		HANDLE BAR	
25-1	E3100-5IT0-0000	HANDLE BAR	1
25-2	E3180-5EE8-0000	LEVEL ASSY., RIGHT	1
25-2-1	E3181-5FA0-0000	LEVEL SET,RIGHT	1
25-2-2	E319A-5FA0-0000	LEVEL ACCELERATE	1
25-3	D3200-FIAT-0000	BRAKE MASTER CYLINDER,LEFT	1
25-3-1	E3181-LRA0-0000	LEVER ,RIGHT	1
25-3-2	D3202-FIA0-0000	BRAKE SWITCH ASSY.	1
25-4	E3166-5EA0-0000	GRIP HANDLE	2
25-5	E3112-5EA0-0000	HANDLE BAR CLAMP, BOTTOM	2
25-6	E3110-5EA0-0000	HANDLE BAR CLAMP, CAP, LEFT	1
25-7	E3111-5EA0-0000	HANDLE BAR CLAMP, CAP, RIGHT	1
25-8	I0050-06025	SOCKET SCREW(M6x25)	4
25-9	I5611-10200	NUT,FLANGE CHECK	2

26.BUMPER,FOOTREST BAR



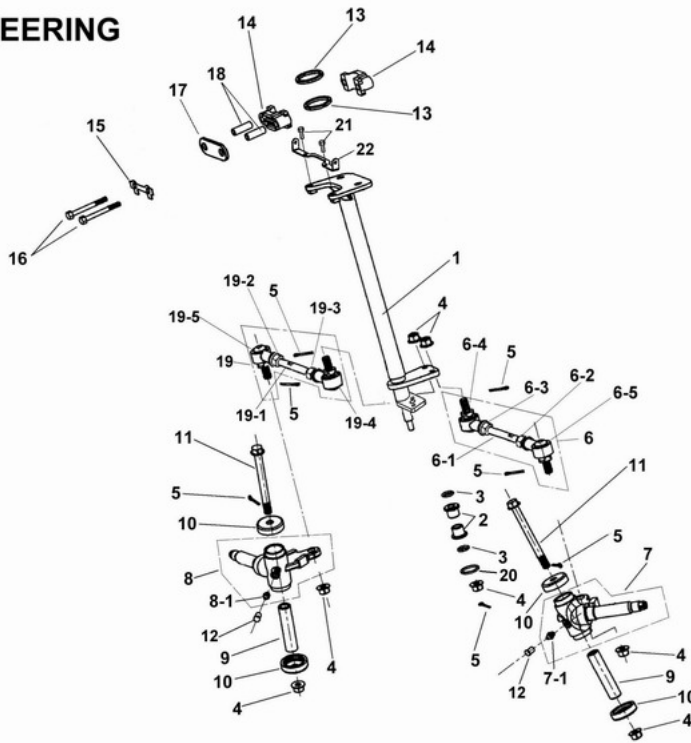
ITEM	PART NO.	NAME	QTY
26		BUMPER, FOOTREST	
26-1	E0700-FIA0-0000	FOOTREST BAR	1
26-2	E0700-FID0-0000	FOOTREST BAR	1
26-3	I7507-FIA0-0000	BOLT+WASHER+SPG WASHER	8
26-4	I5611-06200-0G	NUT,SELF LOCK(M6)	3
26-5	I0149-06823	SCREW	7
26-6	I0119-06802	BOLT+WASHER	1
26-7	E0400-FID0-0000	BUMPER ASSY.	1
26-8	I0105-08035	BOLT FLANGE	2
26-9	E0410-FIE0-0700	REAR BAR ASSY.	1
26-10	I0149-08016	SCREW ,FLANGE	8
26-11	I9901-08100	SPRING WASHER	8
26-12	E0402-FID0-0000	COLLAR, BUMPER	4
26-13	H4751-FIE0-0000	PLASTIC PLATE,LICENSE	2
26-14	I4104-06515	NO:065 WASHER	1
26-15	C3741-5BA0-0000	RETRO REFLECTOR	1
26-16	I2020-50001	NYLON NUT(M5)	1
26-17	H1104-BCA0-0000	COLLAR,FLANGED	2
26-18	F0703-BCA0-0000	DAMPER	2
26-19	E0402-FIE0-0000	COLLAR, BUMPER	2
26-20	I0105-08040	BOLT, FLANGE	2

27.REAR WEHEEL AXLE



ITEM	PART NO.	NAME	QTY
27		REAR WHEEL AXLE	
27-1	D0100-5IT0-0000	DRIVER CHAIN ASSY(520HX84L)	1
27-1-1	D0104-FIC0-0000	MASTERLINK (#520)	1
27-2	D0101-FIA0-1000	PROTECT COVER	1
27-3	D2301-5IK0-0000	REAR AXLE	1
27-4	D0110-FIA0-0000	SPROCKET HOLDER,REAR ASSY.	1
27-4-1	D0111-FIA0-0000	SPROCKET HOLDER,REAR(34T)	1
27-4-2	D1111-FIA0-0000	GEAR(520X34T)	1
27-4-3	D2706-9EA0-0000	BOLT	4
27-4-4	I5611-10200	NUT,FLANGE CHECK	4
27-5	D2302-FIA0-0000	NUT REAR WHEEL AXLE(M28x1.5)	2
27-6	D0120-FIA0-0000	ADJUSTER, CHAIN	1
27-7	I0149-08016	SCREW ,FLANGE	7
27-8	D0102-FIA0-0000	DRIVE CHAIN COVER	1
27-9	D2303-GJA0-0000	PLATE FIXED REAR AXLE(USED WITH D2301-GJ)	1

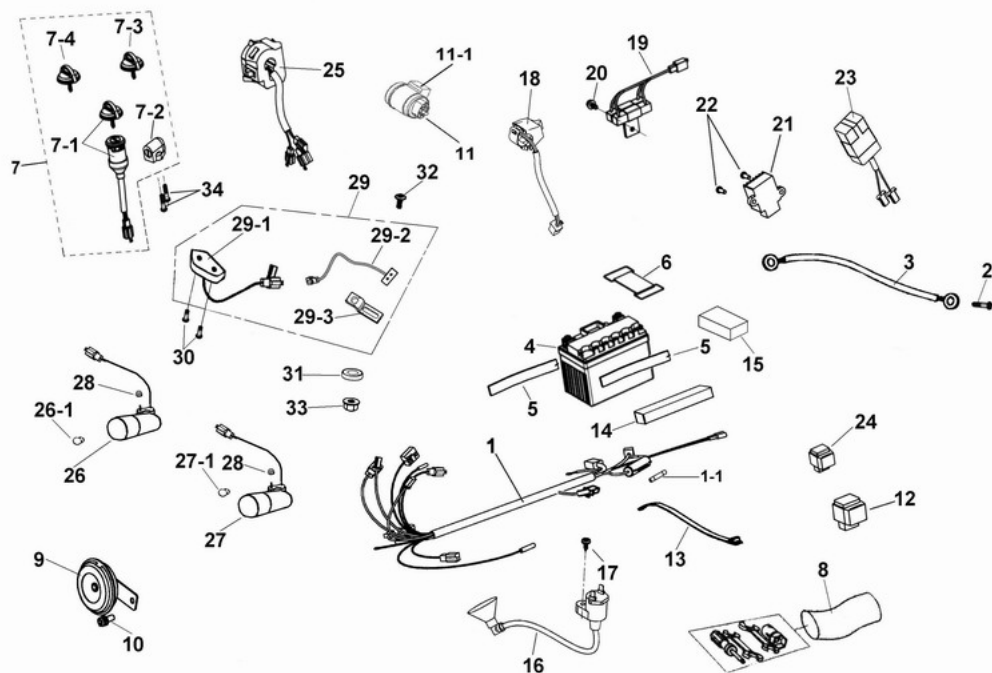
28.STEERING



ITEM	PART NO.	NAME	QTY
28		STEERING	
28-1	E3200-FIE0-0000	SHAFT ASSY., STEERING	1
28-2	E3201-FIA0-0000	OIL LINER	2
28-3	E3204-FIA0-0000	O-RING (W2.4xd14.8)	2
28-4	I5611-10200	NUT,FLANGE CHECK	7
28-5	I9900-25019	COTTER PIN	7
28-6	E0258-GJA0-0000	STEERING TIE-ROD ASSYLEFT	1
28-6-1	E0251-FIA0-1000	BOLT,STUD	1
28-6-2	E0252-5EA0-0000	NUT (R)	1
28-6-3	E0253-5EA0-0000	NUT (L)	1
28-6-4	E0255-GJA0-0000	UNIVERSAL JOINT(L)	1
28-6-5	E0256-GJA0-0000	UNIVERSAL JOINT(R)	1
28-7	E0205-FIA0-1000	KNUCKLE, LEFT	1
28-7-1	I6600-06000	GREASE VALVE(1/4")	1
28-8	E0215-FIA0-1000	KNUCKLE, RIGHT	1
28-8-1	I6600-06000	GREASE VALVE(1/4")	1
28-9	E0211-9FA0-0000	SLEEVE	2
28-10	E0203-9FA0-0000	CAP	4
28-11	I5701-10105-0A	FLANGE PIN HOLE BOLT(M10X105)	2
28-12	E0209-5EA0-9000	CAP, GREASE VALVE	2
28-13	E3209-FIA0-0000	OIL SEAL(31.8x37.8x4)	2
28-14	E3202-FIA0-0000	HOLDER, STEERING SHAFT	2
28-15	E3203-FIA0-0000	FIX PLATE, STEERING SHAFT	1
28-16	I0020-08060	BOLT	2

28-17	E3210-FIA0-0000	HOLDER, STEERING SHAFT PRESSED PLATED	1
28-18	E3208-FIA0-0000	STEERING , COLLAR	2
28-19	E0259-GJA0-0000	STEERING TIE-ROD ASSYRIGHT	1
28-19-1	E0251-FIA0-1000	BOLT,STUD	1
28-19-2	E0252-5EA0-0000	NUT (R)	1
28-19-3	E0253-5EA0-0000	NUT (L)	1
28-19-4	E0255-GJA0-0000	UNIVERSAL JOINT(L)	1
28-19-5	E0256-GJA0-0000	UNIVERSAL JOINT(R)	1
28-20	I4608-09424	O-RING	1
28-21	I0149-06012	BOLT,FLANGE	2
28-22	C7203-FIE0-0000	HANDLE COVER FIXED	1

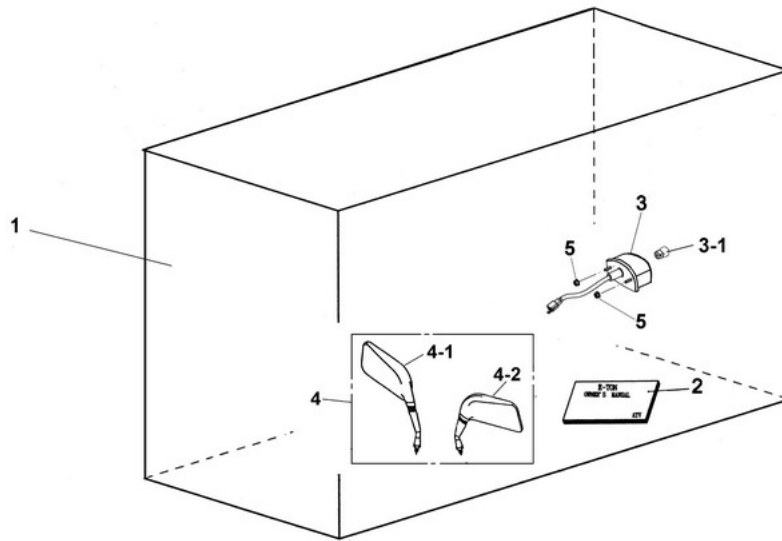
29.ELECTRICAL EQUIPMENT



ITEM	PART NO.	NAME	QTY
29		ELECTRICAL EQUIPMENT	
29-1	C2100-5IT0-0000	HARNESS WIRE	1
29-1-1	C2010-5EA0-0000	FUSE(7A)	1
29-2	I0153-06012	SCREW	1
29-3	C2102-5IT0-0000	EARTH CABLE	1
29-4	C1500-9FA0-0000	BATTERY (GTX5L-BS)	1
29-5	C1501-9FA0-0000	FOAM STICK,BATTERY	2
29-6	C1502-9FA0-0000	RUBBER CLAMP, BATTERY(89L)	1
29-7	C501A-5PA0-0000	MAIN SWITCH ASSY.	1
29-7-1	C5010-9FA0-0000	MAIN SWITCH	1
29-7-2	C5011-FIC0-0000	FAUCET LOCK	1
29-7-3	C5013-9FA0-0000	MATERIAL KEK (RIGHT CUT)	1
29-7-4	C5018-9FA0-0000	MATERIAL KEK (LEFT CUT)	1
29-8	H9020-9FA0-0000	TOOL SET	1
29-9	C8110-5BA0-E000	HORN	1
29-10	I8556-06012	SCREW WASHER	1
29-11	C830A-5PA0-0000	FLY RELAY	1
29-11-1	C8302-EGA0-0000	CUSHION WINKER	1
29-12	C5850-FIC0-0000	RELAY	1
29-13	H3936-5AA0-0000	WIRE CLAMP	1
29-14	C1501-5IT0-0000	FOAM EVA LUMP A	1
29-15	C1503-5IT0-0000	FOAM EVA LUMP B	1
29-16	C051A-5EE0-0000	IGNITION COIL ASSY.	1
29-17	I3401-05020-07	BOLT WASHER	1

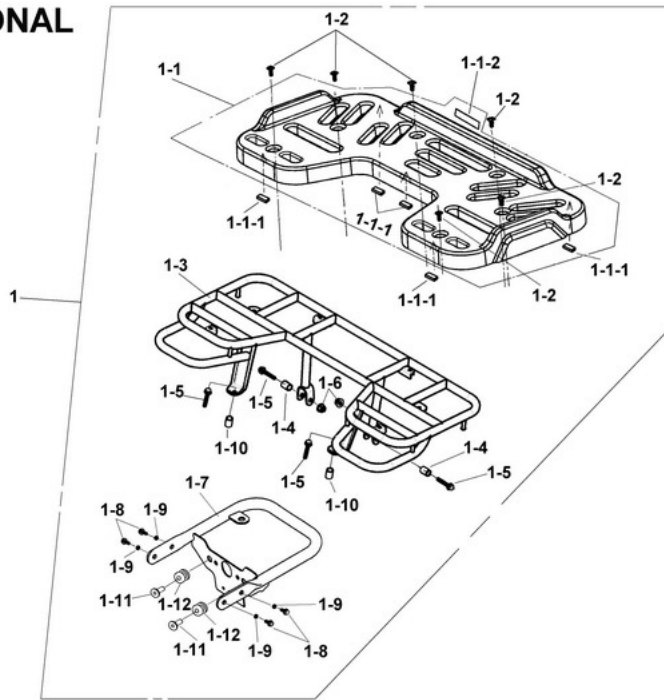
29-18	C5300-9EF0-0000	SHIFT SWITCH	1
29-19	C5400-B00-0000	RESISTOR ASSY	1
29-20	I8556-06012	SCREW WASHER	1
29-21	C1600-B00-0000	RECTIFIER COMP REGULATE	1
29-22	I8506-05016	SCREW PAN	2
29-23	C0410-B11-0000	CDI UNIT COMP	1
29-24	C5850-B00-0000	STARTER RELY ASSY.	1
29-25	C5201-FIC0-0000	LEVER HOLDER ASSY	1
29-26	C3401-FIE0-0000	TURN LAMP ASSY,RIGHT	2
29-26-1	C3402-FIE0-0000	TURN LAMP BULB(10W)	1
29-27	C3451-FIE0-0000	TURN LAMP ASSY,LEFT	2
29-27-1	C3402-FIE0-0000	TURN LAMP BULB(10W)	1
29-28	I2020-50001	NYLON NUT(M5)	4
29-29	C7200-5IT0-0000	SPEED METER	1
29-29	C7200-5IT9-0000	SPEED METER (MILE)	1
29-29-1	C7201-FIE0-0000	SPEEDOMETER	1
29-29-1	C7201-FIE9-0000	SPEED METER (MILE)	1
29-29-2	C7207-FIGT-0000	METER SENSOR	1
29-29-2	C7207-FIGT-0000	METER SENSOR	1
29-29-3	C7208-FIGT-0000	HOLDER SENSER	1
29-29-3	C7208-FIGT-0000	HOLDER SENSER	1
29-30	I8506-05010	SCREW PAN	2
29-31	C7210-5IT0-0000	SPACER	1
29-32	I5827-08030	SCREW, HEXAGON HEAD	1
29-33	I5611-10200	NUT,FLANGE CHECK	1
29-34	I8501-5BA1-0000	BOLT,BROKENABLE	2

30.PACKING CASE,EXTERNAL



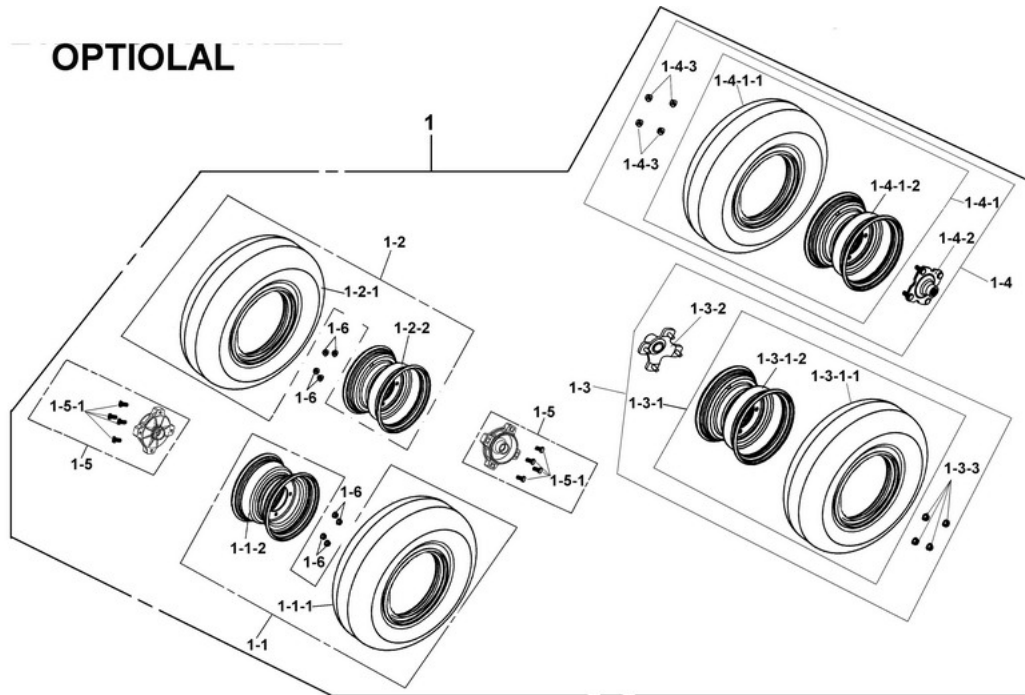
ITEM	PART NO.	NAME	QTY
30		PACKING CASE,EXTERNAL	
30-1	H9500-FIB0-0000	PACKING CASE,EXTERNAL	1
30-2	H9900-5IT0-0000	OWNER'S MANUAL	1
30-3	C5031-FID0-0000	TAIL LIGHT	1
30-3-1	C5004-5BA1-0000	LAMP	1
30-4	H8100-LRC0-0000	BACK MIRROR ASSY	1
30-4-1	H8110-LRC0-0000	REAR VIEW MIRROR ASSY,R	1
30-4-2	H8120-LRC0-0000	REAR VIEW MIRROR ASSY,L	1
30-5	I5611-06200-0G	NUT,SELF LOCK(M6)	2

31.OPTIONAL



ITEM	PART NO.	NAME	QTY
31		OPIIONAL	
31-1	E041A-FIE0-0000	REAR PACK ASSY	1
31-1-1	F4001-FIC0-0000	CARRIER COVER REAR	1
31-1-1-1	C1501-FIB0-0000	FOAM-RUBBER STICK	1
31-1-1-1	C1501-FIB0-0000	FOAM-RUBBER STICK	5
31-1-1-2	H7113-9FB0-0000	CARRIER COVER,STICKER	7
31-1-1-2	H7113-9FB0-0000	CARRIER COVER,STICKER	1
31-1-1-3	C3741-5BA0-0000	RETRO REFLECTOR	1
31-1-1-4	I2020-50001	NYLON NUT(M5)	1
31-1-2	E0117-9EA0-0000	BUTTON HEAD SCREW(M6x18)	6
31-1-3	E0411-FIE0-0000	REAR PACK	1
31-1-4	E0402-9FA0-0000	COLLAR,BUMPER	2
31-1-5	I0105-08040	BOLT, FLANGE	4
31-1-6	I5616-08200	NUTFLANGE CHECK	2
31-1-7	E0410-FID0-0000	REAR BAR ASSY.	1
31-1-8	I0149-08016	SCREW ,FLANGE	4
31-1-9	I9901-08100	SPRING WASHER	4
31-1-10	E0402-FIE0-0000	COLLAR, BUMPER	2
31-1-11	H1104-BCA0-0000	COLLAR,FLANGED	2
31-1-12	F0703-BCA0-0000	DAMPER	2

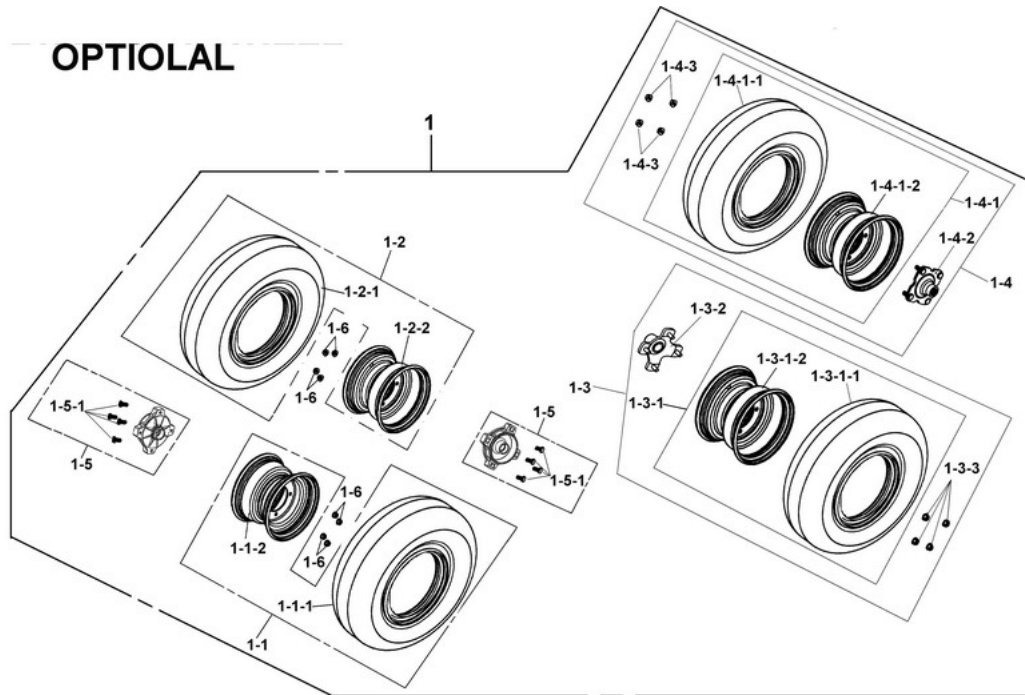
OPTIOLAL



ITEM	PART NO.	NAME	QTY
32		OPTIONAL	
32-1	D471*-5IT0-00NA	ON ROAD	1
32-1-1	D471A-5IT0-00NA	FRONT WHEEL ASSY.,LEFT(ON)(ALUMINUM)	1
32-1-1-1	D4710-FIE0-0000	WHEEL TIRE (ON ROAD)	1
32-1-1-2	D4601-5IK0-9700	(10"x5.5)WHEEL RIM(ALUMINUM)	1
32-1-2	D471B-5IT0-00NA	FRONT WHEEL ASSY.,RIGHT(ON)(ALUMINUM)	1
32-1-2-1	D4710-FIE0-0000	WHEEL TIRE (ON ROAD)	1
32-1-2-2	D4601-5IK0-9700	(10"x5.5)WHEEL RIM(ALUMINUM)	1
32-1-3	D472C-5IT0-00NA	REAR WHEEL ASSY,LEFT(ON)(ALUMINUM)	1
32-1-3-1	D471C-5IT0-00NA	REAR WHEEL COMP,LEFT(ON)(ALUMINUM)	1
32-1-3-1-1	D4720-FIE0-0000	WHEEL TIRE (20x11-9)	1
32-1-3-1-2	D4602-5IK0-7700	WHEEL RIM (9*8")(ALUMINUM)	1
32-1-3-2	D2705-GJA0-0000	SHAFT CONNECTER WITH BOLTS	1
32-1-3-3	D4611-FIC0-0000	NUT	4
32-1-4	D472D-5IT0-00NA	REAR WHEEL ASSY,RIGHT(ON)(ALUMINUM)	1
32-1-4-1	D471D-5IT0-00NA	REAR WHEEL COMP,RIGHT(ON)(ALUMINUM)	1
32-1-4-1-1	D4720-FIE0-0000	WHEEL TIRE (20x11-9)	1
32-1-4-1-2	D4602-5IK0-0700	WHEEL RIM (9*8")(ALUMINUM)	1
32-1-4-2	D2705-GJA0-0000	SHAFT CONNECTER WITH BOLTS	1
32-1-4-3	D4611-FIC0-0000	NUT	4

32-1-5	D4610-5IK0-0000	BRAKE DRUM, FRONT	2
32-1-5-1	D4612-5IK0-0000	BOLT,STUD	8
32-1-6	D4611-FIC0-0000	NUT	8

OPTIOLAL



ITEM	PART NO.	NAME	QTY
33		OPTIONAL	
33-1	D471*-5IT0-00FA	OFF ROAD	1
33-1-1	D471A-5IT0-00FA	FRONT WHEEL ASSY.,LEFT(OFF)(ALUMINUM)	1
33-1-1-1	D4710-5IT0-0000	WHEEL TIRE (20*6-10)	1
33-1-1-2	D4601-5IK0-9700	(10"x5.5)WHEEL RIM(ALUMINUM)	1
33-1-2	D471A-5IT0-00FA	FRONT WHEEL ASSY.,LEFT(OFF)(ALUMINUM)	1
33-1-2-1	D4710-5IT0-0000	WHEEL TIRE (20*6-10)	1
33-1-2-2	D4601-5IK0-9700	(10"x5.5)WHEEL RIM(ALUMINUM)	1
33-1-3	D472C-5IT0-00FA	REAR WHELL ASSY,LEFT(OFF)(ALUMINUM)	1
33-1-3-1	D471C-5IT0-00FA	REAR WHEEL COMP,LEFT(OFF)(ALUMINUM)	1
33-1-3-1-1	D4720-5IT0-0000	WHEEL TIRE (20*10-9)	1
33-1-3-1-2	D4602-5IK0-7700	WHEEL RIM (9*8")(ALUMINUM)	1
33-1-3-2	D2705-GJA0-0000	SHAFT CONNECTER WITH BOLTS	1
33-1-3-3	D4611-FIC0-0000	NUT	4
33-1-4	D472D-5IT0-00FA	REAR WHELL ASSY,RIGHT(OFF)(ALUMINUM)	1
33-1-4-1	D471D-5IT0-00FA	REAR WHEEL COMP,RIGHT(OFF)(ALUMINUM)	1
33-1-4-1-1	D4720-5IT0-0000	WHEEL TIRE (20*10-9)	1
33-1-4-1-2	D4602-5IK0-0700	WHEEL RIM (9*8")(ALUMINUM)	1
33-1-4-2	D2705-GJA0-0000	SHAFT CONNECTER WITH BOLTS	1
33-1-4-3	D4611-FIC0-0000	NUT	4

33-1-5	D4610-5IK0-0000	BRAKE DRUM, FRONT	2
33-1-5-1	D4612-5IK0-0000	BOLT,STUD	8
33-1-6	D4611-FIC0-0000	NUT	8