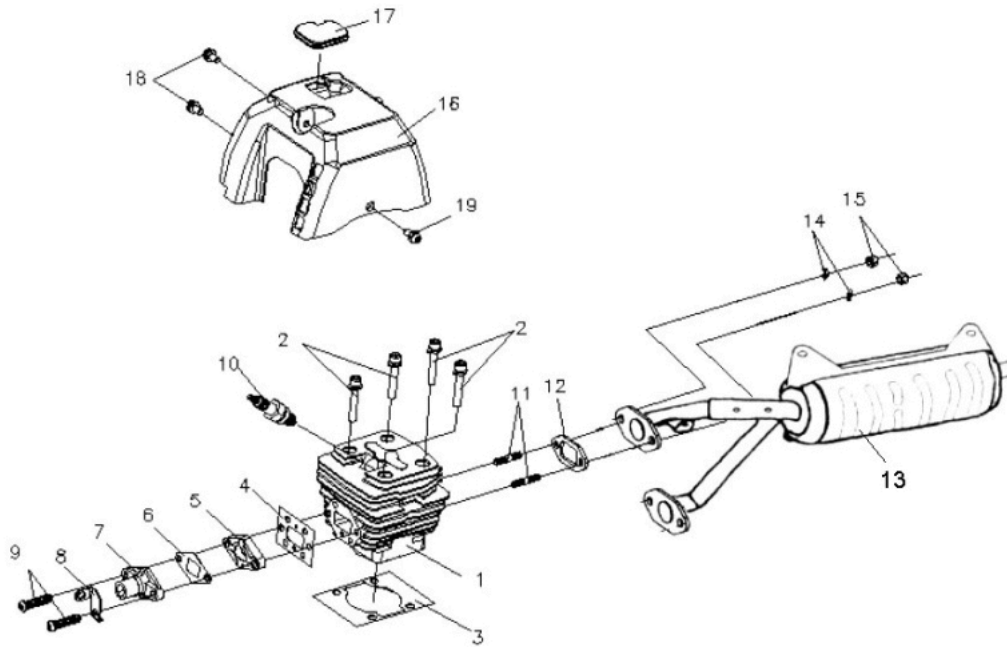


## RXL-40E

### PARTS ITEM:

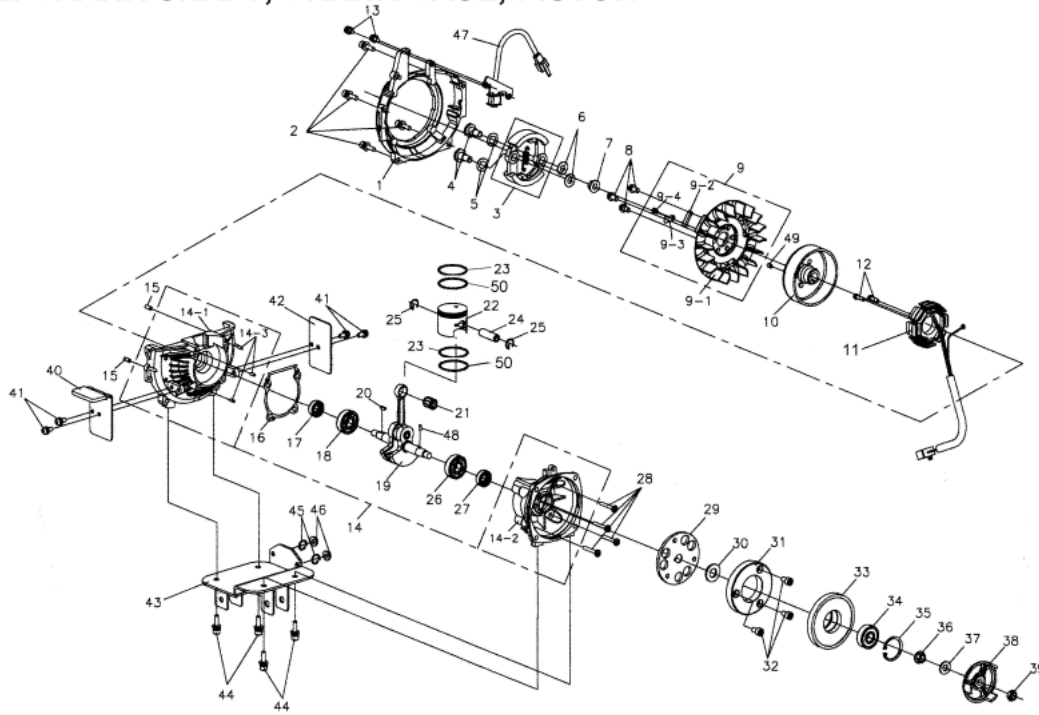
- 1 CYLINDER, SHROUD CYLINDER
- 2 CRANK SHAFT, CRANK CASE, PISTON
- 3 TRANSMISSION
- 4 CARBURETOR, AIR CLEANER
- 5 STARTERENG ASSY
- 6 ENGINE
- 7 FRAME
- 8 A- ARM
- 9 SWING ARM SUB
- 10 FENDER , SEAT
- 11 SUSPENSION
- 12 FUEL TANK
- 13 FRONT WHEEL
- 14 REAR WHEEL
- 15 REAR BRAKE
- 16 HANDLE BAR
- 17 FEND BAR , FOOTREST
- 18 REAR WHEEL AXLE
- 19 CHAIN
- 20 STEERING
- 21 BRAKE
- 22 TOOL BOX ,PACKING CASE,EXTERNAL
- 30 CYLINDER PISTON TOP END KIT (1)
- 31 CYLINDER PISTON TOP END KIT (2)
- 32 TOOL

# 1. CYLINDER / SHROUD CYLINDER



ITEM	PART NO.	NAME	QTY
1		CYLINDER, SHROUD CYLINDER	
1-1	A2100-UE1-0001	CYLINDER COMP.	1
1-2	I6705-06035-0C	SCREW WASHER	4
1-3	A2191-UE1-0000	GASKET CYLINDER	1
1-4	A6201-UE1-0000	GASKET CARB INSULATOR	1
1-5	A7111-UE1-0000	INLET PIPE,INSULATOR	1
1-6	A6211-UE1-0000	GASKET CARB.	1
1-7	A7110-UE1-0002	PIPE INLET	1
1-8	A7112-UE1-0000	CARB PLATE	1
1-9	I3500-05028-0H	SCREW PAN	2
1-10	I8000-UE1-9000	SPARK PLUG (BPM6Y)	1
1-11	I2900-05016-0A	STUD BOLT	2
1-12	A8291-UE1-0001	GASKET EXHAUST PIPE	1
1-13	A830A-UE1-9000	EXHAUST PIPE ASSY.	1
1-14	I4111-05100	SPRING WASHER	2
1-15	I0309-050G0	NUT, CHECK	2
1-16	A9620-UE1-0001	SHROUD,CYLINDER	1
1-17	A9625-UE1-0000	CAP CYLINDER SHROUD	1
1-18	I3893-05012-0G	SCREW WASHER	2
1-19	I3893-05012-0H	SCREW WASHER	1

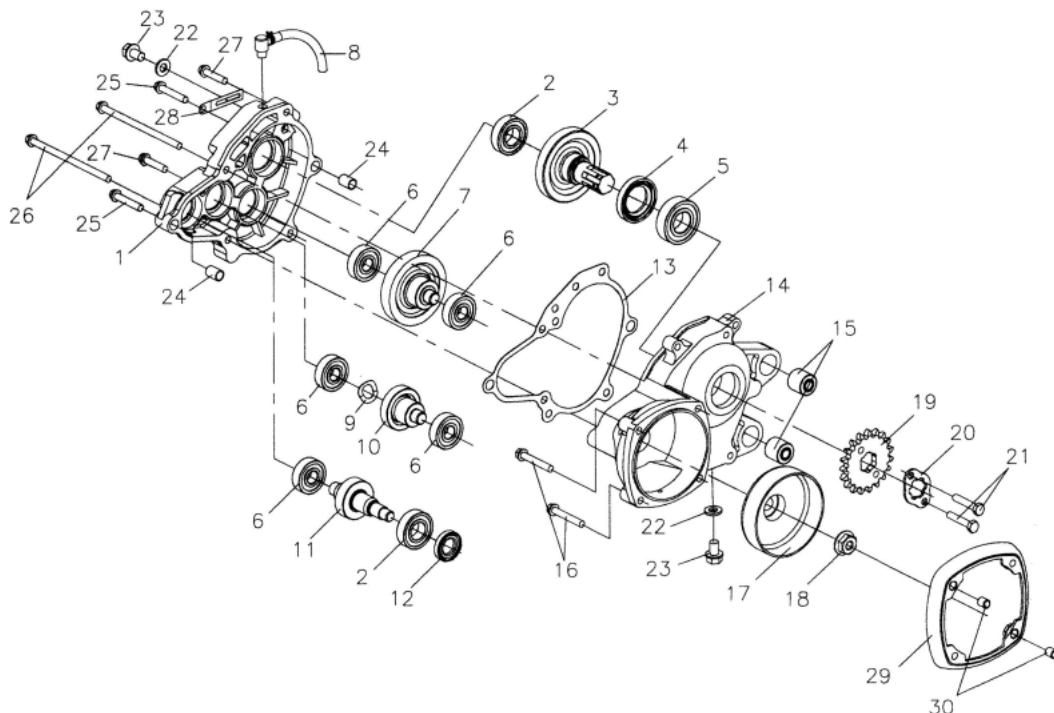
## 2. CRANK SHAFT, CRANK CASE, PISTON



ITEM	PART NO.	NAME	QTY
2		CRANK SHAFT, CRANK CASE, PISTON	
2-1	A1331-UE8-0900	COVER R SIDE	1
2-2	I6706-05020-0C	SCREW WASHER	4
2-3	B253A-UE1-9000	WEIGHT SET CLUTCH	1
2-4	B2402-UE1-0000	BOLT WEIGHT CLUTCH	2
2-5	I4121-10G00	WASHER WAVE	2
2-6	I4104-08010	WASHER	2
2-7	I4050-08075-0H	NUT HEXAGON HEAD	1
2-8	I6001-06012-0H	BOLT FLANGE	3
2-9	B2102-UE8-9000	FAN COOLING COMP	1
2-9-1	B2103-UE8-0000	FAN COOLING	1
2-9-2	B2104-UE8-0000	MAGNET	1
2-9-3	B2105-UE8-0000	PRESS PLATE	1
2-9-4	I3895-04008-0H	SCREW WASHER	1
2-10	C1110-UE8-0000	ELYWHEEL COMP	1
2-11	C1120-UE8-0000	STATOR COMP	1
2-12	I3895-04016-0H	SCREW WASHER	2
2-13	I3896-05010-0H	SCREW WASHER	2
2-14	A1000-UE8-0900	CRANK CASE COMP	1
2-14-1	A1100-UE8-0900	CRANK CASE RIGHT	1
2-14-2	A1200-UE1-0900	CRANK CASE LEFT	1
2-14-3	I4305-32082	SPRING PIN	3

2-15	I4305-45100	SPRING-PIN	2
2-16	A1192-UE1-0000	GASKET CRANK CASE	1
2-17	I1201-UE1-0000	OIL SEAL	1
2-18	I6100-62013-10	BEARING, BALL, RADIAL	2
2-19	A3000-UE8-0000	CRANKSHAFT COMP.	1
2-20	I4401-10037	WOODRUFF KEY	1
2-21	I1100-1014148	BEARING, CON-ROD	1
2-22	A3101-UE1-0002	PISTON	1
2-23	A3011-B02-0000	PISTON RING SET	1
2-24	A3111-B02-0000	PIN PISTON	1
2-25	I4601-B02-0000	CLIP, PISTON PIN	2
2-26	I6100-60020	BEARING,BALL,RADIAL	1
2-27	I1207-A00-0000	OIL SEAL(12x22x5)	1
2-28	I3500-05028-0H	SCREW PAN	4
2-29	B8105-UE8-0000	PLATE ONE-WAY	1
2-30	I4104-12522	WASHER	1
2-31	B8120-A09-0000	OUTER COMP STARTING CLUTCH	1
2-32	I6600-06010-0A	SOCKET BOLT	3
2-33	B8110-UE8-0000	STARTER GEAR	1
2-34	I6150-6201	BEARING,BALL,RADIAL	1
2-35	I4520-32000	CIRCLIP	1
2-36	I4050-08075-0H	NUT HEXAGON HEAD	1
2-37	I4101-08516	WASHER	1
2-38	B8211-UE1-8000	CLUTCH ONEWAY	1
2-39	I0309-083H0	NUT CHECK	1
2-40	A1132-UE1-0000	FRONT FENDER	1
2-41	I3893-05012-0G	SCREW WASHER	4
2-42	A1131-UE1-0000	FENDER	1
2-43	E0102-UE1-0000	ENGINE BRACKET	1
2-44	I6706-06020-0C	SCREW WASHER	4
2-45	I4111-06100	SPRING WASHER	2
2-46	I4050-06060-0H	NUT FLANGE	2
2-47	C1130-UE8-0000	COMP PULSER	1
2-48	I4301-03780	KNOCK PIN	1
2-49	I4303-05060	KNOCK PIN	1
2-50	A3122-UE1-0000	INNER RING	2

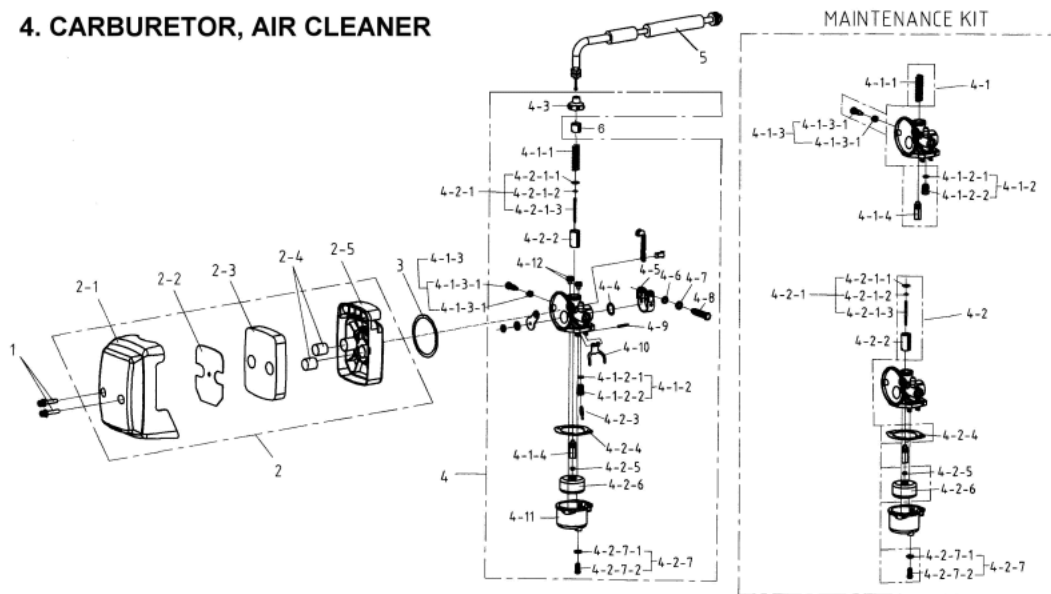
### 3. TRANSMISSION



ITEM	PART NO.	NAME	QTY
3		TRANSMISSION	
3-1	B1300-UE1-0902	COVER, GEAR BOX	1
3-2	I6100-60030	BEARING, BALL, RADIAL	2
3-3	B3430-UE8-0000	FINAL SHAFT COMP.	1
3-4	I1225-42007	OIL SEAL	1
3-5	I6150-60040-10	BEARING, BALL, RADIAL	1
3-6	I6100-62013-10	BEARING, BALL, RADIAL	1
3-7	B3420-UE1-0000	COUNTER GEAR COMP.	1
3-8	A1220-UE1-0000	BREATHER HOSE COMP.	1
3-9	I4121-12J00	WASHER WAVE	1
3-10	B3440-UE1-0000	IDLE GEAR COMP	1
3-11	B3411-UE1-0000	DRIVE SHAFT	1
3-12	I1203-B00-0000	OIL SEAL	1
3-13	B1395-UE1-0000	GASKET, GEAR BOX	1
3-14	B1200-UE8-0900	GEAR BOX	1
3-15	A1203-B00-0000	RUBBER BUSH RR CUSHION	2
3-16	I6001-06038-0C	BOLT HEXAGON HEAD	2
3-17	B2101-UE1-0000	CLUTCH OUTER COMP.	1
3-18	I4050-10080-0H	NUT FLANGE	1
3-19	B3801-UE1-0000	SPROCKET	1
3-20	B3811-A00-0000	PLATE FIXING	1
3-21	I2201-06010-0H	BOLT	2
3-22	I4102-08020	WASHER	2

3-23	I5801-08012-0H	BOLT FLANGE	2
3-24	I4301-10140	KNOCK PIN	2
3-25	I6001-06035-0H	BOLT FLANGE SH	2
3-26	I6001-06100-0C	BOLT HEXAGON HEAD	2
3-27	I6001-06028-0H	BOLT HEXAGON HEAD	2
3-28	C2962-UE1-0000	CLAMPER PULSER CORD	1
3-29	A9616-UE8-0000	SIDE COVER	1
3-30	I4301-08140	KNOCK PIN	2

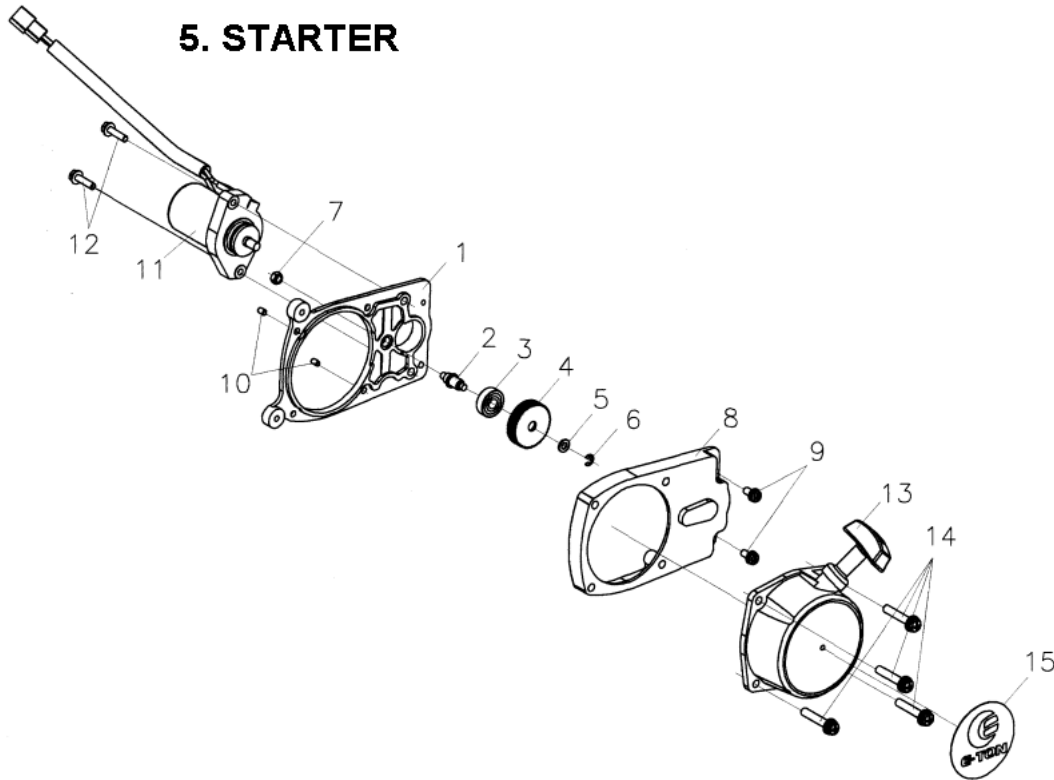
#### 4. CARBURETOR, AIR CLEANER



ITEM	PART NO.	NAME	QTY
4		CARBURETOR, AIR CLEANER	
4-1	I3893-04025-0H	SCREW WASHER	2
4-2	A720A-UE1-0002	AIR CLEANER ASSY	1
4-2-1	A7231-UE1-0002	COVER AIR/C	1
4-2-2	A7232-UE1-0000	FILTER HOLDER	1
4-2-3	A7233-UE1-0000	ELEMENT	1
4-2-4	A7234-UE1-9000	BUSH	2
4-2-5	A7230-UE1-0001	CASE AIR/C	1
4-3	A7201-UE1-0000	GASKET AIR CLEANER	1
4-4	A610A-UE1-0001	CARBURETOR ASSY	1
4-4-1	A6100-UE1-A003	MAINTENANCE KIT 3	1
4-4-1-1	KAC40410	THROTTLE VALVE VE SPRING	1
4-4-1-2	KBC40710	VALVE SEAT COMP	1
4-4-1-2-1	KBC40711	O-RING	1
4-4-1-2-2	KBC40712	VALVE SEAT	1
4-4-1-3	KAC40920	THROTTLE ADJUSTING ASSY.	1
4-4-1-3-1	KAC40921	THROTTLE ADJUSTING	1
4-4-1-3-2	KAC40922	THROTTLE ADJUSTING SPRING	1
4-4-1-4	KAC40610	NEEDLE JET(*9.5)	1
4-4-2	A6100-UE1-A004	MAINTENANCE KIT 4	1
4-4-2-1	KAC40230	JET NEEDLE ASSY.	1
4-4-2-1-1	KAC40310	CLIP(A)	1
4-4-2-1-2	KAC40233	CLIP(B)	1
4-4-2-1-3	KAC40231	JET NEEDLE(*183)	1
4-4-2-2	KAC40110	THROTTLE VALVE	1

4-4-2-3	KBC40810	NEEDLE VALVE	1
4-4-2-4	KAC41010	CHAMBER PACKING	1
4-4-2-5	KAC40510	MAIN JET(*64)	1
4-4-2-6	KAC41110	FLOAT	1
4-4-2-7	KAC41320	DRAIN SCREW ASSY	1
4-4-2-7-1	KAC41322	WASHER	1
4-4-2-7-2	KAC41321	DRAIN SCREW	1
4-4-3	A6102-UE1-0000	CARBURETOR COVER	1
4-4-4	A6103-UE1-0000	WASHER	1
4-4-5	A6104-UE1-0000	BIND RING	1
4-4-6	A6105-UE1-0000	WASHER	1
4-4-7	A6106-UE1-0000	SPRING WASHER	1
4-4-8	A6107-UE1-0000	BOLT	1
4-4-9	A6109-UE1-0000	FLOAT ARM PIN	1
4-4-10	A6108-UE1-0000	FLOAT ARM	1
4-4-11	A6111-UE1-0000	FLOAT ROOM	1
4-4-12	A6114-UE1-0000	BOLT	2
4-5	A7910-UE1-0001	CABLE ASSY THROT	1
4-6	A6101-4HA0-0000	CARBURATOR BUSH	1

## 5. STARTER

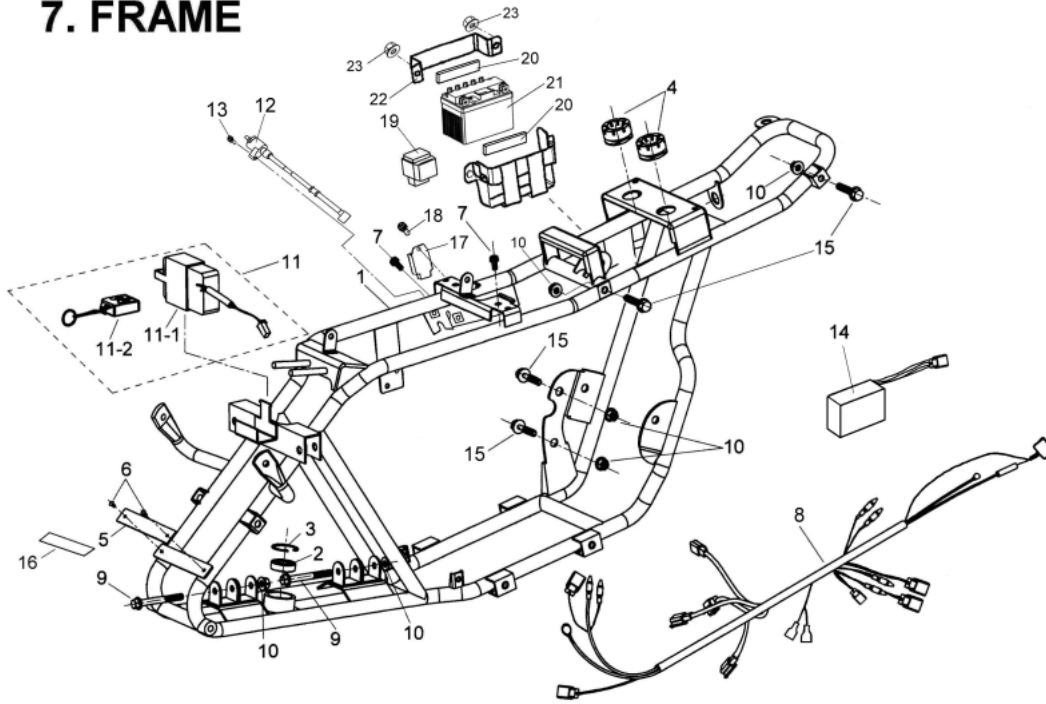


ITEM	PART NO.	NAME	QTY
5		STARTERENG ASSY	
5-1	B8106-UE8-0000	START PLATE	1
5-2	B8102-UE8-0000	SHAFT OF REDUCTION GEAR	1
5-3	I6130-608	BEARING, BALL, RADIAL	1
5-4	B8100-UE8-0000	REDUCTION GEAR STARTER	1
5-5	I4101-05210	WASHER	1
5-6	I4540-0401A	CIRCLIP	1
5-7	I4050-05055-0A	NUT FLANGE(M5)	1
5-8	B8107-UE8-0000	START COVER	1
5-9	I3893-05012-0G	SCREW WASHER	2
5-10	I4303-04065	KNOCK PIN	2
5-11	C1200-UE8-0000	STARTER MOTOR ASSY	1
5-12	I6001-06020-0H	BOLT FLANGE SH	2
5-13	A134A-UE1-8001	COVER ASSY L SIDE	1
5-14	I3893-06035-0H	SCREW WASHER	4
5-15	A1350-UE1-0000	LABEL RECOIL	1

No picture.

ITEM	PART NO.	NAME	QTY
6		ENGINE	
6-1	AA000-UE8-0000	ENGINE	1

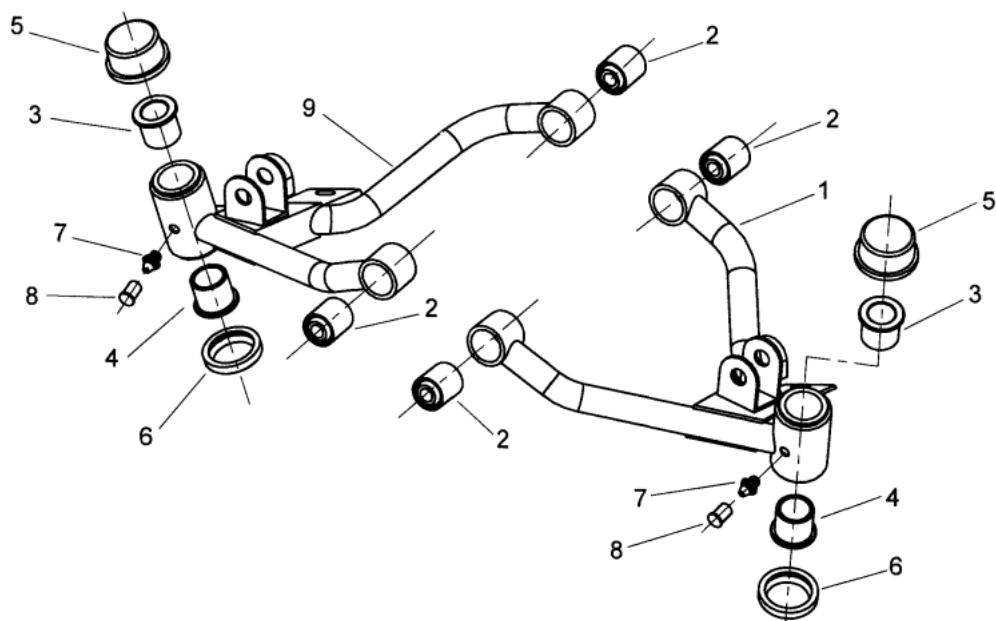
## 7. FRAME



ITEM	PART NO.	NAME	QTY
7		FRAME	
7-1	E0100-4HC0-0000	FRAME COMP.	1
7-2	I6100-6002ZZ	BEARING (6002ZZ)	1
7-3	I4510-32000	C CLIP	1
7-4	G7212-5EA0-0000	RUBBER DAMPER(37x13x23)	2
7-5	E0101-4HA0-0000	FRAME NUMBER PLATE(120x20x1.5)	1
7-6	H750A-5BA1-0000	NAIL, PULL	2
7-7	I0153-06012	SCREW	2
7-8	C2100-4HC0-0000	MAIN WIRE ASSY.	1
7-9	I2502-08070-0B	BOLT,FLANGE(M8x70)	2
7-10	I5611-08200	NUT,FLANGE	6
7-11	C2105-9EF0-0000	ROMOTE CONTROL SAFETY SWITCH ASSY.	1
7-11-1	C2106-9EF0-0000	RECEIVE(BLACK)	1
7-11-1	C2106-9EF0-0000	RECEIVE(BLACK)	1
7-11-2	C2107-9EF0-0000	ROMOTE CONTROL(433MHZ)(YELLOW)	1
7-11-2	C2107-9EF0-0000	ROMOTE CONTROL(433MHZ)(YELLOW)	1
7-12	C0510-UE8-0000	IGNITION COIL COMP	1
7-13	I3401-05020-07	BOLT WASHER	1
7-14	C0410-UE8-0000	CDI NUIT UNDER 6700rpm	1
7-15	I0105-08040	BOLT, FLANGE	4
7-16	F4309-5EA0-0000	STICKER, MFD.	1

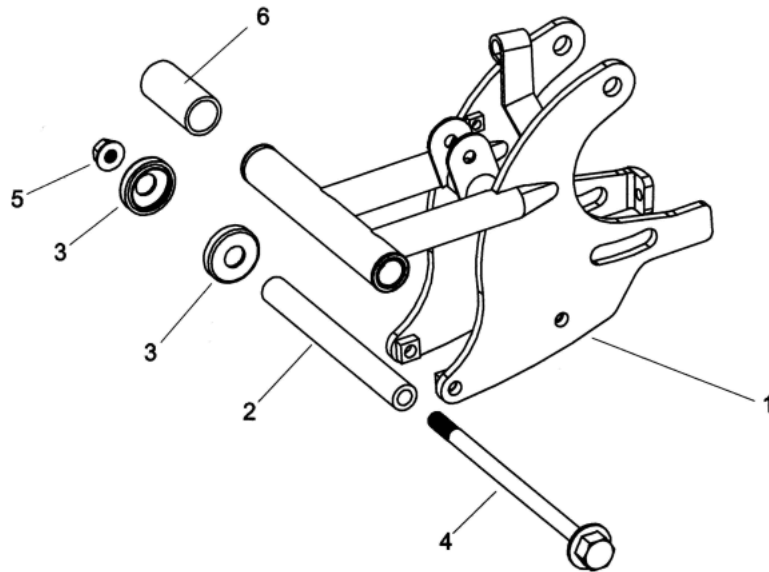
7-17	C1600-UE8-0000	REGULAR	1
7-18	I8556-06016	SCREW WASHER	1
7-19	C5850-B00-0000	STARTER RELY ASSY.	1
7-20	E0104-5EA0-0000	BATTERY PAD(6x19x100)	2
7-21	C1500-5EA0-0000	BATTERY(GTX4L-BS)	1
7-22	E0103-5EA0-0000	BATTERY	1
7-23	I5611-06200-0G	NUT,SELF LOCK(M6)	2

## 8.A- ARM



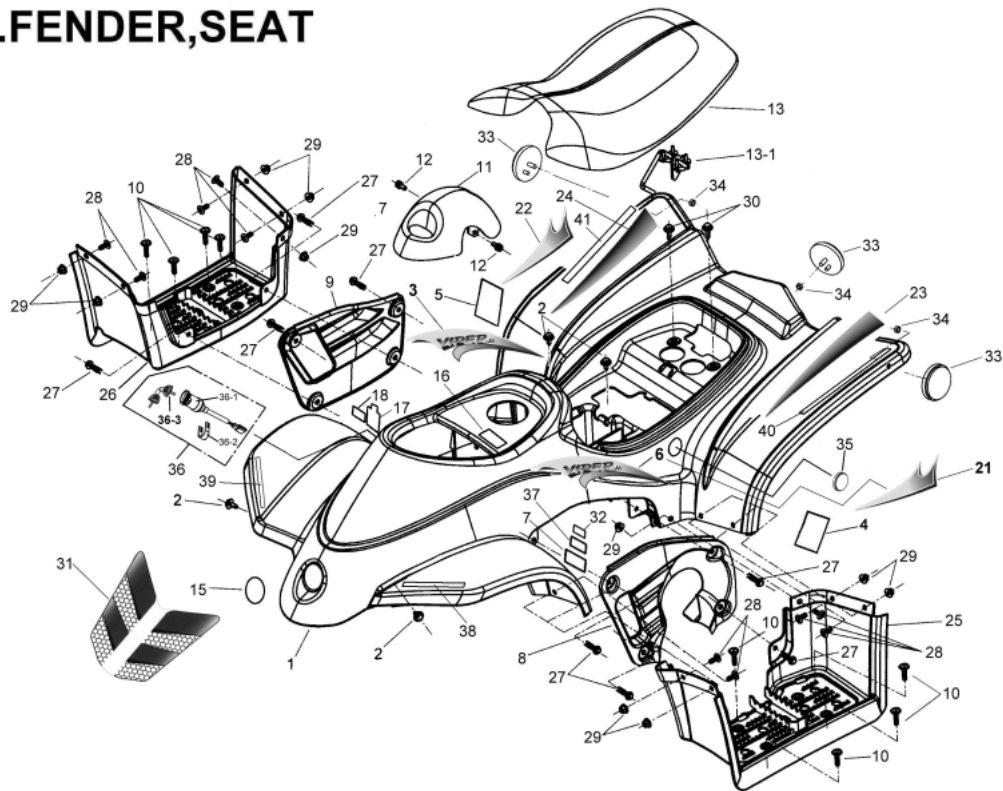
ITEM	PART NO.	NAME	QTY
8		A- ARM	
8-1	E0200-4HA0-0000	ARM, SUSPENSION, L.H.	1
8-2	E0201-4HA0-0000	BUSH (20x8.1x21x24)	4
8-3	E0207-5EA0-0000	OIL LINER(15.5)	2
8-4	E0206-5EA0-0000	OIL LINER(17)	2
8-5	E0202-5EA0-0000	WATERPROOF COVER	2
8-6	E0203-5EA0-0000	DUST SEAT	2
8-7	I6600-06000	GREASE VALVE(1/4")	0
8-8	E0209-5EA0-9000	CAP, GREASE VALVE	2
8-9	E0210-4HA0-0000	ARM, SUSPENSION, R.H.	1

## 9.SWINGARM



ITEM	PART NO.	NAME	QTY
9		SWING ARM SUB	
9-1	E220A-4HB0-0000	SWING ARM SUB ASSY.	1
9-2	E2209-4HA0-0000	SWING ARM SPACER(17x10x158.5)	1
9-3	E2205-4HA0-0000	SWING ARM SEAL COVER (25.4)	2
9-4	E2201-4HA0-0000	SWING ARM SET BOLT (M10x186)	1
9-5	I5612-10200	NUT,FLANGE CHECK(M10)	1
9-6	E2202-4HA0-0000	RUBBER SLEEVE	1

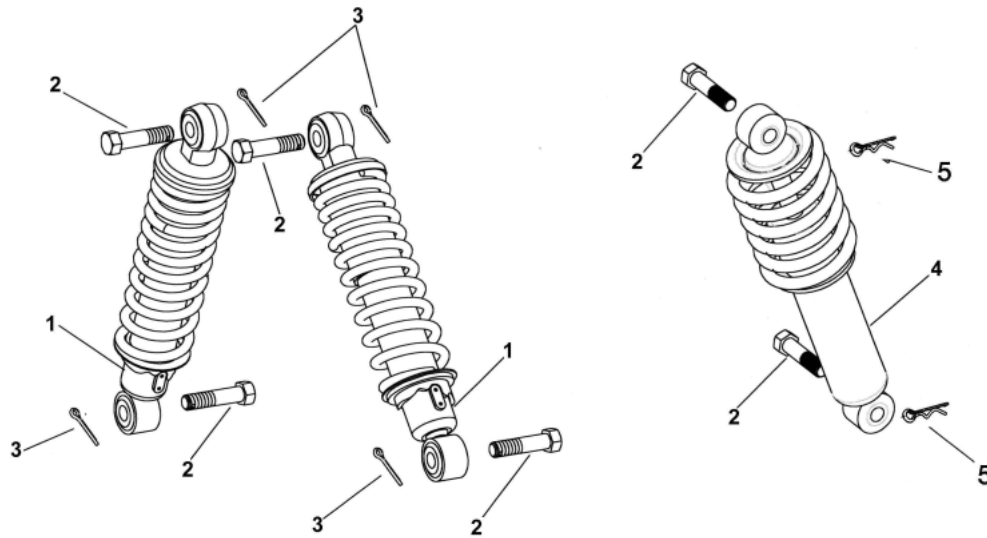
# 10.FENDER,SEAT



ITEM	PART NO.	NAME	QTY
10		FENDER , SEAT	
10-1	F4300-4HB0-4200	FENDER(RED)	1
10-1	F4300-4HB0-5400	FENDER(BLUE)	1
10-2	I0119-06802	BOLT+WASHER	4
10-3	H7104-4HB0-9000	STICKER, VIPER jr(R)	1
10-4	H7101-4HA0-9000	STICKER, WARNING(PASSENGER)	1
10-5	H7102-4HA0-9000	STICKER, WARNING (Y6)	1
10-6	H7103-4HB0-9000	STICKER, VIPER jr(L)	1
10-7	H7133-9EF0-0000	STICKER,SAFETY ROMOTE CONTROLLER	1
10-8	F4500-4HC0-0000	FENDER SIDE COVER(L)	1
10-9	F4400-4HB0-0000	FENDER SIDE COVER(R)	1
10-10	I8310-06020-01	SCREW(M6x20G)	8
10-11	E3205-4HA0-5400	COVER, HANDLE BAR(BLUE)	1
10-11	E3205-4HA0-4200	COVER, HANDLE BAR(RED)	1
10-12	I8556-06016	SCREW WASHER	2
10-13	G7200-4HB0-0000	SEAT ASSY.	1
10-13-1	G7201-4HB0-0000	SEAT FIXER ASSY	1
10-15	H7107-5EB0-0000	EMBLEM, E-TON LOGO(SILVER)	1
10-16	H7105-4HA0-9000	STICKER,WARNING,OILPREMIX	1
10-17	H7101-4HA1-0000	STICKER,WARNING,CE	1
10-18	H7102-5EA1-9000	STICKER,CE	1
10-21	H7128-4HB0-9000	STICKER,REAR FENDER(L)	1

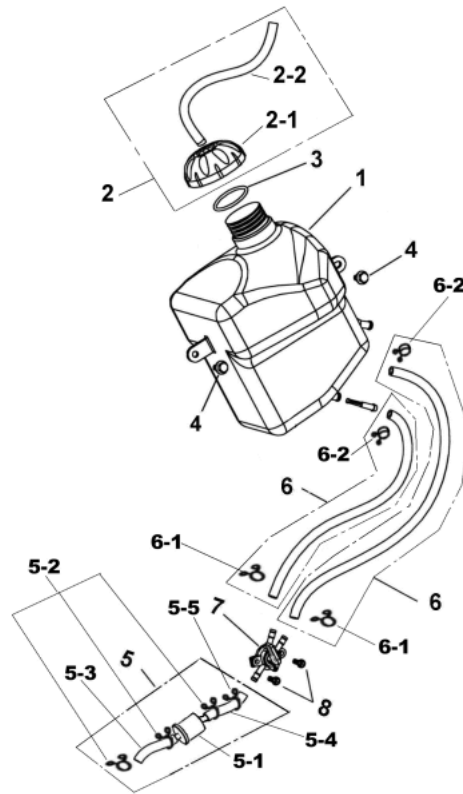
10-22	H7129-4HB0-9000	STICKER,REAR FENDER(R)	1
10-23	H7126-4HB0-9000	STICKER,REAR FRAME COVER(L)	1
10-24	H7127-4HB0-9000	STICKER,REAR FRAME COVER(R)	1
10-25	H3520-4HC0-0000	FOOTREST (L)	1
10-26	H3620-4HB0-0000	FOOTREST (R)	1
10-27	I8310-FIA0-0000	PLASTICS SCREW	8
10-28	E0117-9EA0-0000	BUTTON HEAD SCREW(M6×18)	10
10-29	I5611-06200-0G	NUT,SELF LOCK(M6)	10
10-30	I0119-06821	BOLT+WASHER	2
10-31	H7121-4HB0-9000	STICKER,FRONT FENDER	1
10-35	A1105-B00-0000	CAP RUBBER R	1
10-36	C501A-4HC0-0000	MAIN SWITCH ASSY	1
10-36-1	C5010-9FA0-0000	MAIN SWITCH	1
10-36-2	C5012-FIC0-0000	PLATE FIXING	1
10-36-3	C5013-9FA0-0000	MATERIAL KEK (RIGHT CUT)	1
10-36-4	C5018-9FA0-0000	MATERIAL KEK (LEFT CUT)	1
10-37	H7105-4HB0-0000	STICKER,MAXIMUN SPEED	1
10-38	H7131-4HC0-9000	STICKER,ELECTRICAL START(L)	1
10-39	H7132-4HC0-9000	STICKER,ELECTRICAL START(R)	1
10-40	H7134-4HC0-0000	STICKER,REMOTE CONTROL SYSTEM(L)	1
10-41	H7135-4HC0-0000	STICKER,REMOTE CONTROL SYSTEM(R)	1

# 11. SUSPENSION



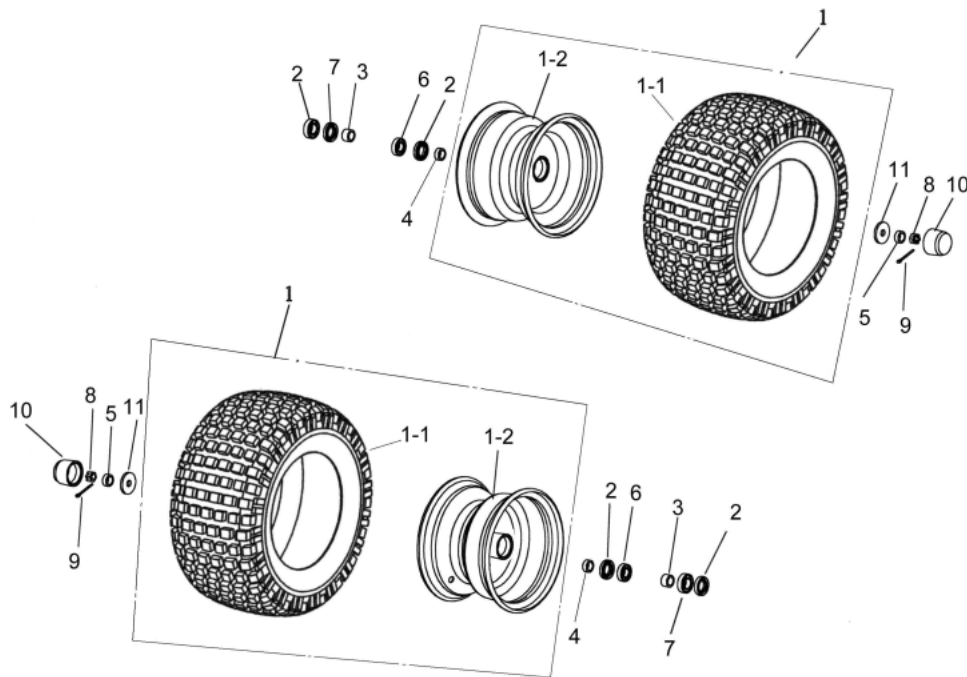
ITEM	PART NO.	NAME	QTY
11		SUSPENSION	
11-1	E1105-4HA0-9000	SUSPENSION FRONT	2
11-2	I0102-10040	BOLT, PIN HOLE(M10x40)	6
11-3	I9900-25019	COTTER PIN	0
11-4	E2400-4HA0-0000	SHOCK ABSORBER ASSY. REAR	1
11-5	I0468-12006	PIN	2

# 12.FUEL TANK



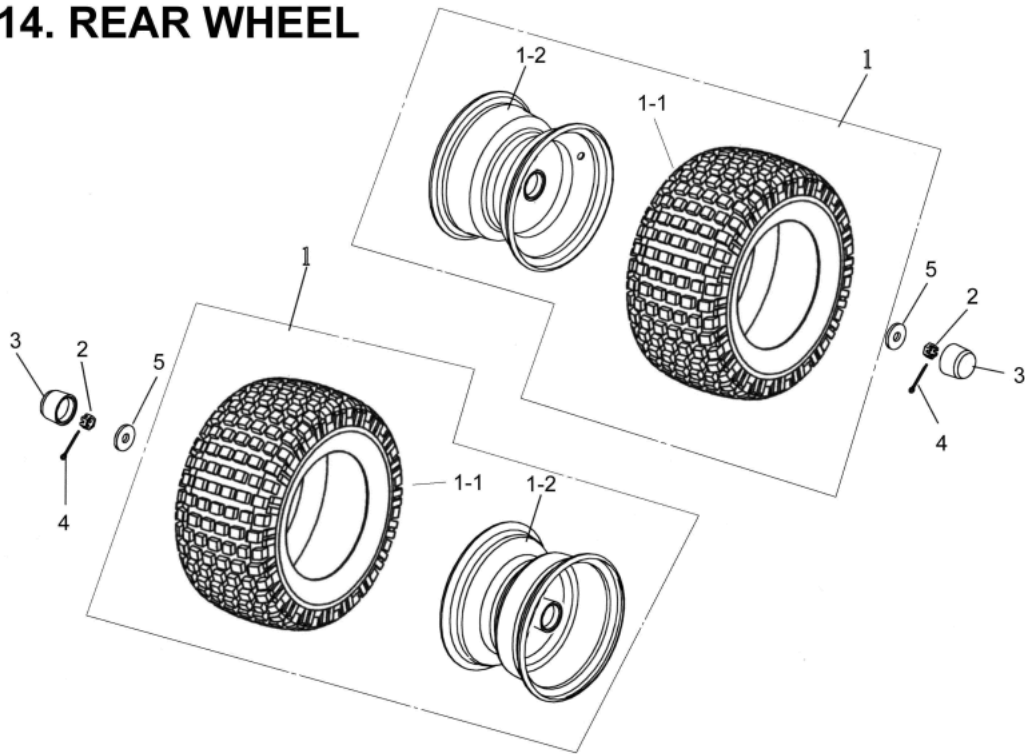
ITEM	PART NO.	NAME	QTY
12		FUEL TANK	
12-1	A7500-4HA0-0000	FUEL TANK ASSY.	1
12-2	A762A-5EA0-0000	FUEL TANK CAP ASSY	1
12-2-1	A7620-5EA0-0000	FUEL TANK CAP	1
12-2-2	A7621-9FA0-0000	BREATHE TUBE	1
12-3	A7622-5EA0-0000	RUBBER PAD	1
12-4	I0119-06821	BOLT+WASHER	2
12-5	A751A-4HA0-1000	FUEL FILTER ASSY.	1
12-5-1	A7519-FIA0-1000	FILTER COMP FUEL	1
12-5-2	A7516-5EA0-0000	CLIP(A)	3
12-5-3	A7514-4HA0-0000	FUEL TUBE (A)	1
12-5-4	A7515-4HA0-0000	FUEL TUBE (B)	1
12-5-5	A7516-4HA0-0000	CLIP(C)	1
12-6	A7501-4HA0-0000	MAIN/SPARE FUEL TUBE	2
12-6-1	A7516-5EA0-0000	CLIP(A)	2
12-6-2	A7517-5EA0-0000	CLIP(B)	2
12-7	A7520-5EA0-0000	MANUAL FUEL CUP	1
12-8	I8506-05016	SCREW PAN	2

## 13. FRONT WHEEL



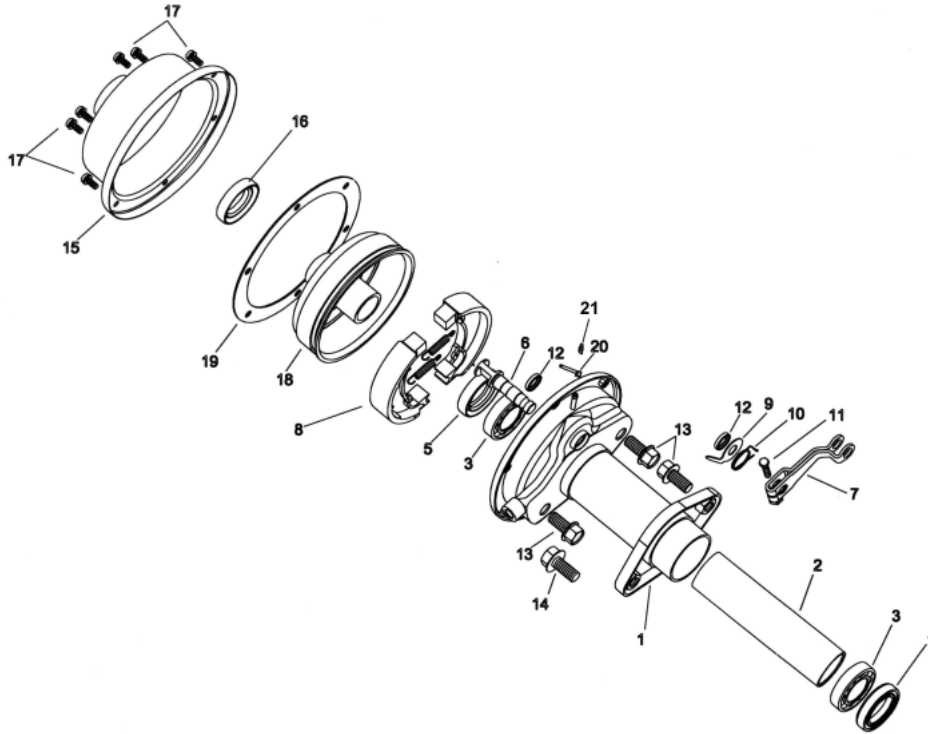
ITEM	PART NO.	NAME	QTY
13		FRONT WHEEL	
13-1	D471A-4HA0-0S00	FRONT TIRE ASSY	2
13-1-1	D4710-4HA0-0000	WHEEL TIRE(145x70-6)	2
13-1-2	D4601-4HA0-0S00	WHEEL RIM	2
13-2	I3102-5AC0-0000	OIL SEAL(22x35x7)	4
13-3	D4620-5EA0-0000	INNER SPACER(15x21.7x15)	2
13-4	D4621-5EA0-0000	OUTER SPACER(1)(15x21.7x10)	2
13-5	D4622-4HA0-0000	OUTER SPACER(2)(17x21.7x17)	2
13-6	I6100-6002LLU	BEARING(6002LLU)	2
13-7	I6100-6003LLU	BEARING(6003LLU)	2
13-8	I5500-12000	NUT,CASTLE(M12)	2
13-9	I4201-46325	COTTER PIN	2
13-10	D4609-5EA0-0000	RUBBER CAP	2
13-11	D4608-5EA0-0000	FRONT WHEEL SHAFT WASHER	2

## 14. REAR WHEEL



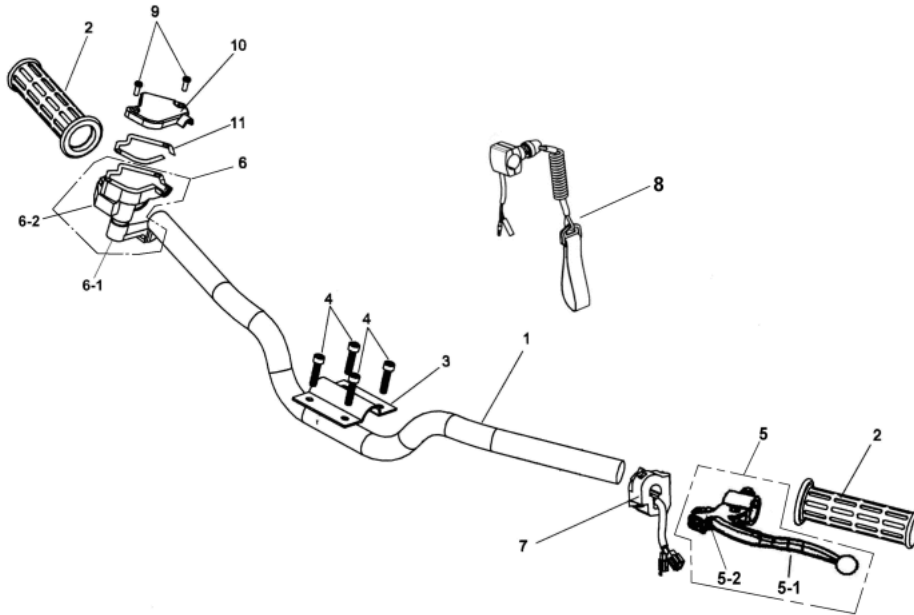
ITEM	PART NO.	NAME	QTY
14		REAR WHEEL	
14-1	D471B-4HA0-0S00	REAR TIRE ASSY	2
14-1-1	D4710-4HA0-0000	WHEEL TIRE(145x70-6)	2
14-1-2	D4602-4HA0-0S00	WHEEL RIM	2
14-2	I5500-14100	CASTLE NUT	2
14-3	D4609-5EA0-0000	RUBBER CAP	2
14-4	I4201-46325	COTTER PIN	2
14-5	D2309-5EA0-0000	WASHER	2

## 15. REAR BRAKE



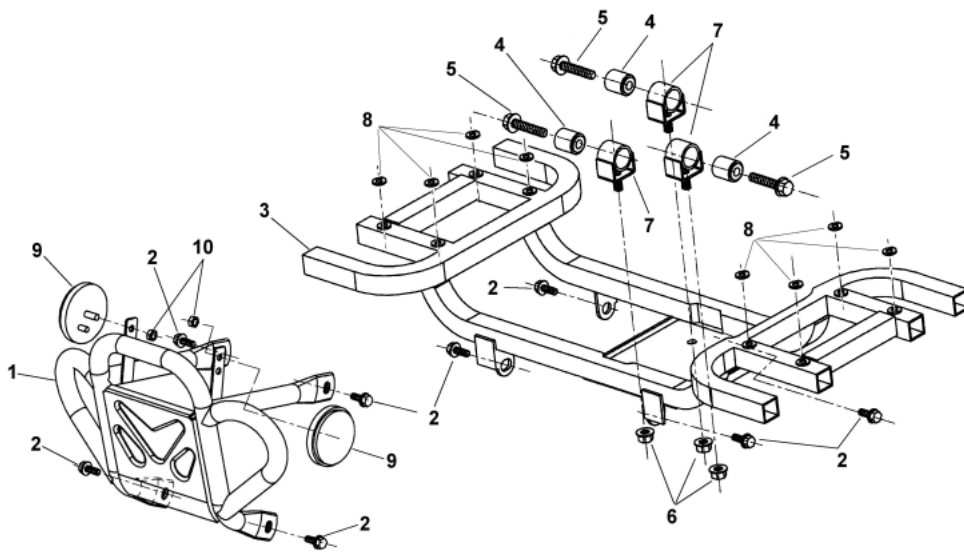
ITEM	PART NO.	NAME	QTY
15		REAR BRAKE	
15-1	D2310-4HA0-0000	REAR WHEEL BEARING SEAT ASSY.	1
15-2	D2311-4HA0-0000	SPACER(31×36×63.7)	1
15-3	I6100-6006ZZ	BEARING, BALL RADIAL	2
15-4	D2313-9EA0-0000	OIL SEAL(42×55×8)	1
15-5	D2315-9EA0-0000	OIL SEAL(38×55×10)	1
15-6	D3141-5EA0-0000	BRAKE ARM CAM, REAR	1
15-7	D3410-4HA0-0000	BRAKE ARM, REAR	1
15-8	D3120-5EA0-0000	REAR BRAKE SHOE COMP.(130)	1
15-9	D3145-5EA0-0000	REAR BRAKE INDICATOR	1
15-10	D3419-5EA0-0000	REAR RETURN SPRING	1
15-11	I0020-06030	BOLT(M6×30)	1
15-12	D2314-5EA0-0000	OIL SEAL(14×20×4)	2
15-13	I0141-12020-01	SCREW, FLANGE (M12×20)	3
15-14	I0141-12025-01	BOLT FLANGE	1
15-15	D3615-9EA0-0000	DRUM COVER, REAR	1
15-16	D3616-9EA0-0000	OIL SEAL(38×52×9)	1
15-17	I8557-06012	SCREW WASHER	6
15-18	D3610-9EA0-1000	REAR DRUM	1
15-19	D3611-5EA0-0000	GASKET, REAR DRUM COVER	1
15-20	D2316-5EA0-0000	DRAIN PIPE ASSY.	1
15-21	D2319-5EA0-0000	PLUG, PURGE HOLE	1

## 16.HANDLE BAR



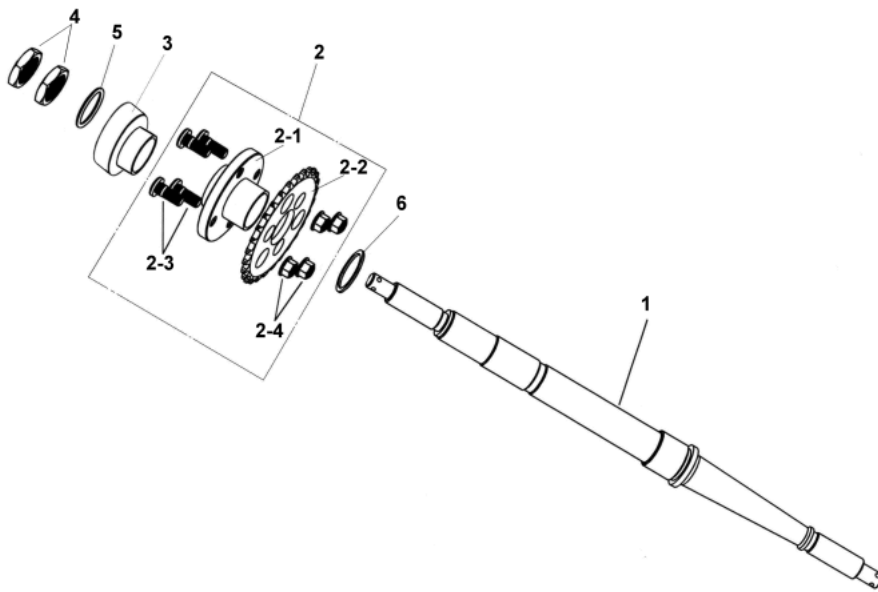
ITEM	PART NO.	NAME	QTY
16		HANDLE BAR	
16-1	E3100-4HA0-0000	HANDLE BAR ASSY.	1
16-2	E3166-4HA0-0000	GRIP HANDLE BAR CLAMP	2
16-3	E3111-4HA0-0000	HANDLE BAR CLAMP, CAP	1
16-4	I5701-06020-0C	BOLT, FLANGE (M6x20)	4
16-5	E3170-4HC0-0000	LEFT LEVER ASSY.	1
16-5-1	E3171-4HA0-0000	LEFT LEVEL	1
16-5-2	E3172-4HC0-0000	PLATE	1
16-6	E3180-4HA0-0000	RIGHT LEVEL ASSY.	1
16-6-1	E319A-4HA0-0000	LEVER ACCELERATE	1
16-6-2	E3191-4HA0-0000	ACCELERATOR BODY	1
16-7	C5200-4HC0-0000	HANDLE BAR ASSY. (LEFT)	1
16-8	C2108-7EE0-0000	HANDLE BAR SAFETY ASSY	1
16-9	I8506-04016	SCREW,PAN HEAD	2
16-10	E3183-4HA0-0000	COVER,RIGHT LEVEL	1
16-11	E3188-5EA0-0000	GASKET, RIGHT LEVEL	1

## 17. FEND BAR, FOOTREST



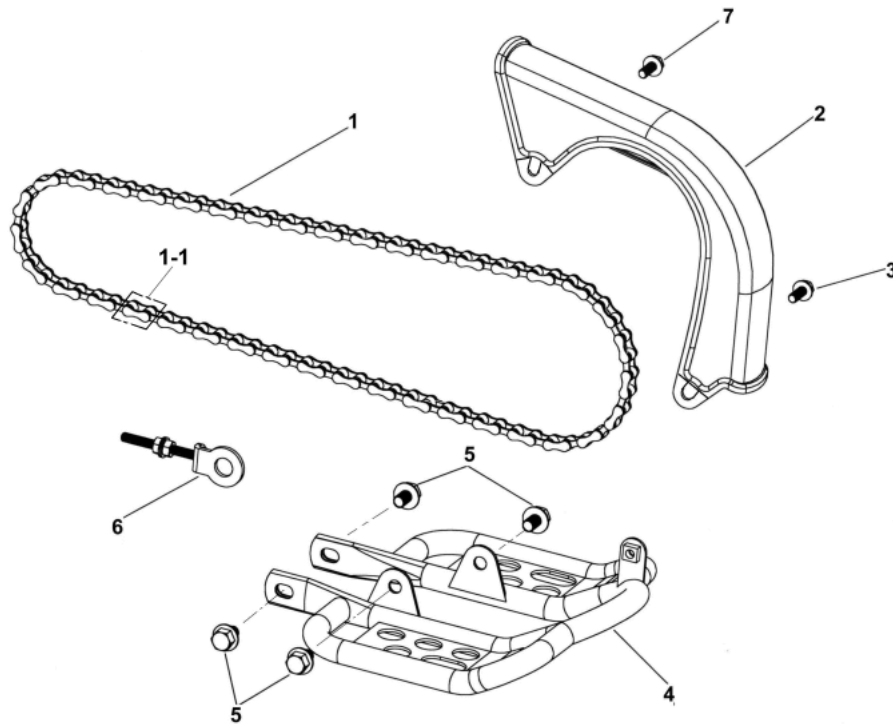
ITEM	PART NO.	NAME	QTY
17		FEND BAR , FOOTREST	
17-1	E0400-4HB0-0000	FEND BAR ASSY.	1
17-2	I0149-08012	BOLT ,FLANGE (M8x12)	8
17-3	E0700-4HC0-0000	FOOTREST ASSY.	1
17-4	E0201-4HA0-0000	BUSH (20x8.1x21x24)	3
17-5	I0105-08040	BOLT, FLANGE	3
17-6	I5611-08200	NUT,FLANGE	3
17-7	E0702-4HA0-0000	ENGINE MOUNTING ASSY.	3
17-8	C510C-4HB0-0000	ABSORB WASHER	8

## 18. REAR WHEEL AXLE



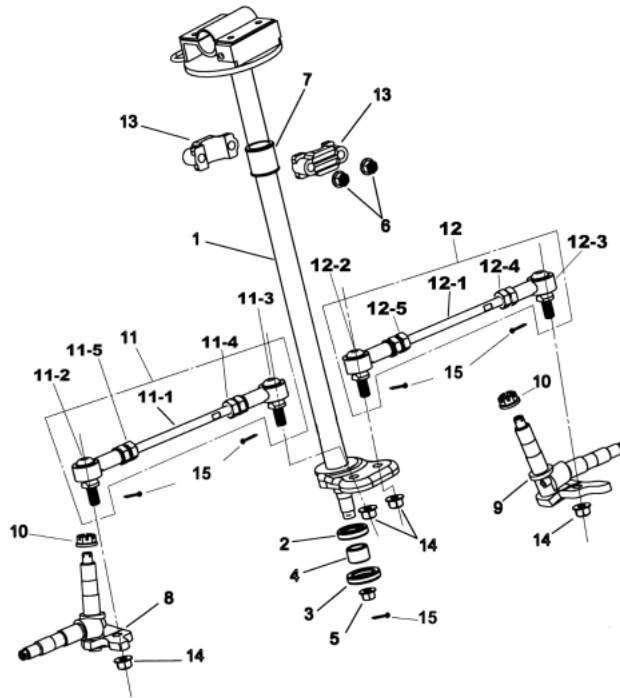
ITEM	PART NO.	NAME	QTY
18		REAR WHEEL AXLE	
18-1	D2301-4HA0-0000	REAR AXLE	1
18-2	D0110-4HA0-9000	DRIVE CHAIN ASSY (36T)	1
18-2-1	D0111-9EA0-0000	SPROCKET HOLDER, REAR	1
18-2-2	D1111-4HA0-9000	GEAR(420x36T)	1
18-2-3	D2706-9EA0-0000	BOLT	4
18-2-4	I5611-10200	NUT,FLANGE CHECK	4
18-3	D0114-4HA0-0000	SPACER	1
18-4	D2302-9EA0-0000	NUT,REAR WHEEL AXLE	2
18-5	I1303-4HA0-0000	O-RING	1
18-6	I9905-35018	WASHER(42x35x1.8)	1

## 19. CHAIN



ITEM	PART NO.	NAME	QTY
19		CHAIN	
19-1	D0100-5EA0-0000	DRIVE CHAIN ASSY. (420x78)	1
19-1-1	D0104-5EA0-0000	MASTERLINK (#420)	1
19-2	D0102-4HA0-0000	PROTECT COVER	1
19-3	I7507-06225	BOLT,HEXAGON HEAD(M6x25)	1
19-4	D0101-4HA0-0000	BELOW PROTECT COVER	1
19-5	I0149-08016	SCREW ,FLANGE	4
19-6	D0120-4HA0-0000	CHAIN ADJUSTER	1
19-7	I0119-06030	BOLT+WASHER	1

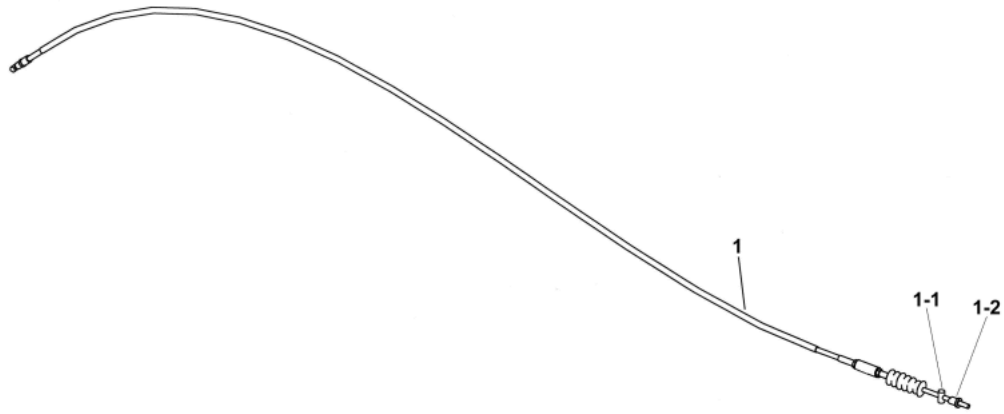
## 20. STEERING



ITEM	PART NO.	NAME	QTY
20		STEERING	
20-1	E3200-4HA0-9000	SHAFT, STEERING	1
20-2	E3201-5EA0-0000	OIL SEAL(18x32x7)	1
20-3	I3102-5AC0-0000	OIL SEAL(22x35x7)	1
20-4	D4620-5EA0-0000	INNER SPACER(15x21.7x15)	1
20-5	I5611-14200	NUT, FLANGE CHECK (M14)	1
20-6	I5611-08200	NUT,FLANGE	2
20-7	E3225-5EA0-0000	PU LINER	1
20-8	E0205-4HA0-0000	KNUCKLE, LEFT	1
20-9	E0215-4HA0-0000	KNUCKLE, RIGHT	1
20-10	I5550-20000	CASTLE FLANGE NUT (M10)	2
20-11	E0258-4HA0-0000	STEERING TIE-ROD ASSY., LEFT	1
20-11-1	E0251-4HA0-0000	BOLT,STUD	1
20-11-2	E0255-FIA0-0000	UNIVERSAL JOINT(L)	1
20-11-3	E0256-FIA0-0000	UNIVERSAL JOINT(R)	1
20-11-4	E0252-5EA0-0000	NUT (R)	1
20-11-5	E0253-5EA0-0000	NUT (L)	1
20-12	E0259-4HA0-0000	STEERING TIE-ROD ASSY., RIGHT	1
20-12-1	E0251-4HA0-0000	BOLT,STUD	1
20-12-2	E0255-FIA0-0000	UNIVERSAL JOINT(L)	1
20-12-3	E0256-FIA0-0000	UNIVERSAL JOINT(R)	1
20-12-4	E0252-5EA0-0000	NUT (R)	1
20-12-5	E0253-5EA0-0000	NUT (L)	1

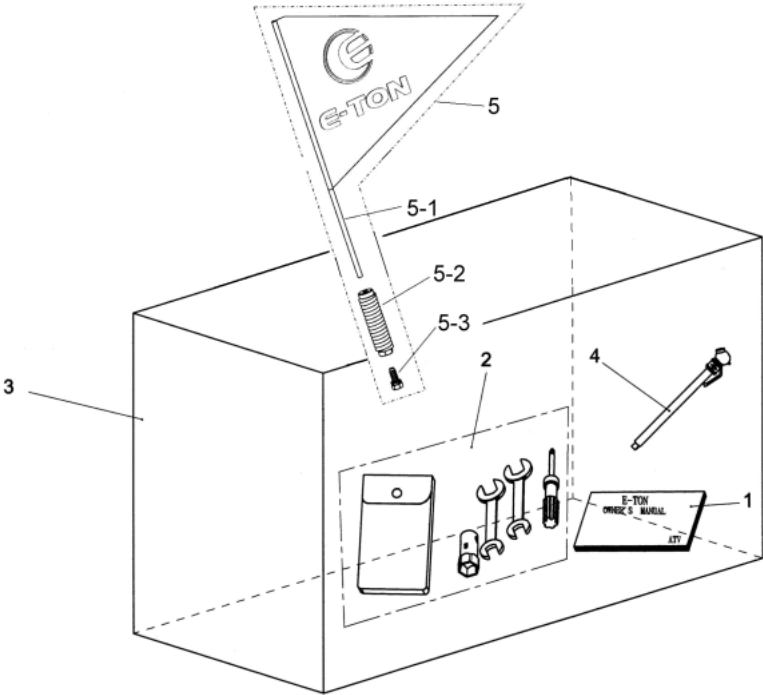
20-13	E3202-9FA0-0000	HOLDER, STEERING SHAFT	2
20-14	I5611-10200	NUT, FLANGE CHECK	4
20-15	I9900-25019	COTTER PIN	5

## 21. BRAKE



ITEM	PART NO.	NAME	QTY
21		BRAKE	
21-1	E3450-4HA0-0000	CABLE, BRAKE REAR ASSY.	1
21-1-1	E3453-5EA0-0000	CIRCULAR CYLINDER	1
21-1-2	E3454-4HA0-0000	NUT,ADJUSTING	1

**22.TOOL BOX,PAKING CASE,EXTERNAL**



ITEM	PART NO.	NAME	QTY
22		TOOL BOX ,PACKING CASE,EXTERNAL	
22-1	H990A-4HC9-0000	OWNER'S MANUAL ASSY	1
22-1-1	H9900-4HC0-9000	OWNER'S MANUAL	1
22-2	H9020-4HA0-0000	TOOL SET	1
22-3	H9500-4HA0-9000	PACKING CASEEXTERNAL	1
22-4	H9022-5EA0-0000	TIRE PRESSURE GAUGE	1

No picture.

ITEM	PART NO.	NAME	QTY
30		CYLINDER PISTON TOP END KIT (1)	
30-1	A21AA-UE1-0000	CYLINDER PISTON TOP END KIT	1
30-1-1	A2100-UE1-0001	CYLINDER COMP.	1
30-1-2	A2191-UE1-0000	GASKET CYLINDER	1
30-1-3	A3011-B02-0000	PISTON RING SET	1
30-1-4	A3101-UE1-0002	PISTON	1
30-1-5	A3111-B02-0000	PIN PISTON	1
30-1-6	A3122-UE1-0000	INNER RING	2
30-1-7	I1100-1014148	BEARING, CON-ROD	1
30-1-8	I4601-B02-0000	CLIP, PISTON PIN	2
30-1-9	A8291-UE1-0001	GASKET EXHAUST PIPE	1

No picture.

ITEM	PART NO.	NAME	QTY
31		CYLINDER PISTON TOP END KIT (2)	
31-1	A21AB-UE1-0000	CYLINDER PISTON TOP END KIT	1
31-1-1	A2100-UE1-0001	CYLINDER COMP.	1
31-1-2	A2191-UE1-0000	GASKET CYLINDER	1
31-1-3	A3011-B02-0000	PISTON RING SET	1
31-1-4	A3101-UE1-0002	PISTON	1
31-1-5	A3111-B02-0000	PIN PISTON	1
31-1-6	A3122-UE1-0000	INNER RING	2
31-1-7	I4601-B02-0000	CLIP, PISTON PIN	2
31-1-8	A8291-UE1-0001	GASKET EXHAUST PIPE	1

No picture.

ITEM	PART NO.	NAME	QTY
32		TOOL	
32-1	B8105-UE8-0S7	Dismantle PLATE ONE-WAY Tool	1
32-2	A1100-UE8-0S20	Separate CRANK CASE implement	1
32-3	A3000-UE8-0S21	Separate 2 ball bearings pair of cranksh	1