

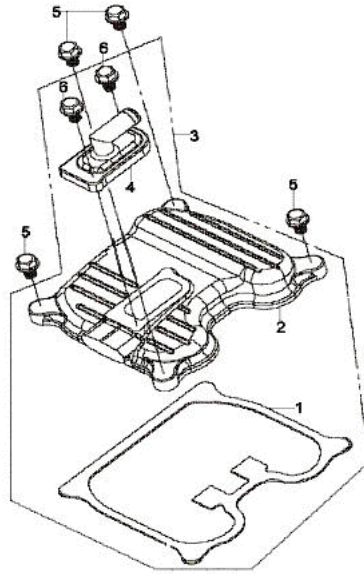
## VXL-250

### PARTS ITEM:

- 01 HEAD COVER
- 02 CYLINDER HEAD COMP
- 03 CYLINDER ASSY.
- 04 L COVER ASSY.
- 05 L CRANK CASE
- 06 R CRANK CASE
- 07 R CASE COVER
- 08 MOVABLE DRIVE FACE
- 09 CRANK SHAFT
- 10 AC GEN FLYWHEEL
- 11 BALANCE SHAFT
- 12 MISSION CASE
- 13 OIL PUMP ASSY.
- 14 CYL. HEAD SIDE COVER ASSY.
- 15 DRIVEN PULLEY SET
- 16 A.I.C.V. ASSY.
- 17 CARBURETOR ASSY
- 18 GEAR SHAFT LEVER, SAFETY SWITCH
- 19 AIR CLEANER
- 20 CABLE
- 21 WATER COOLER
- 22 ENGINE
- 23 MUFFLER
- 24 FRAME
- 25 FENDER
- 26 SWING ARM
- 27 SEAT
- 28 FUEL TANK
- 29 SUSPENSION
- 30 FRONT WHEEL
- 31 REAR WHEEL
- 32 FRONT BRAKE SYSTEM
- 33 REAR BRAKE SYSTEM
- 34 HANDLE BAR
- 35 BUMPER, FOOTREST
- 36 REAR WHEEL AXLE
- 37 STEERING
- 38 ELECTRICAL EQUIPMENT
- 39 PACKING CASE,EXTERNAL
- 40 ACCESSORIES

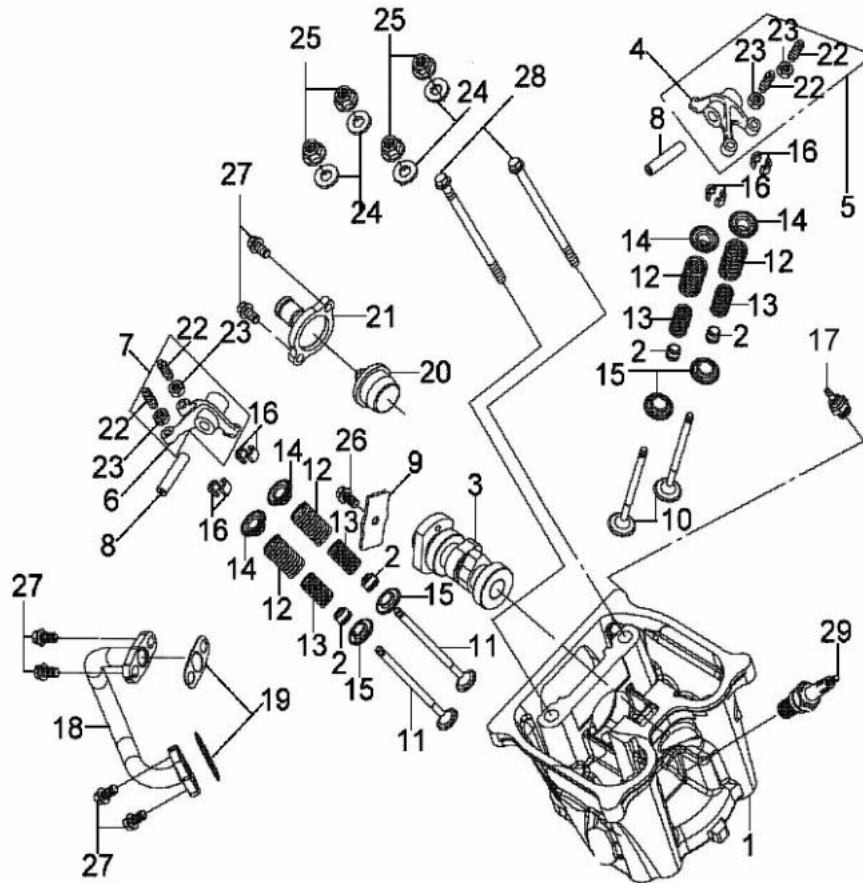
41 SERVICE KITS,BRAKE CALLIPER  
42 TOOL

# 1. HEAD COVER



ITEM	PART NO.	NAME	QTY
01		HEAD COVER	
01-1	A2391-HMA-0000	HEAD COVER PACKING	1
01-2	A2301-HMA-0000	CYLINDER HEAD COVER	1
01-3	A230A-HMA-0000	CYL. HEAD COVER ASSY.	1
01-4	A8610-HKA-0000	REED VALVE COMP	1
01-5	I0002-HMA-0000	HEAD COVER BOLT	4
01-6	I6001-06016-00	FLANGE BOLT SH 6X16	2

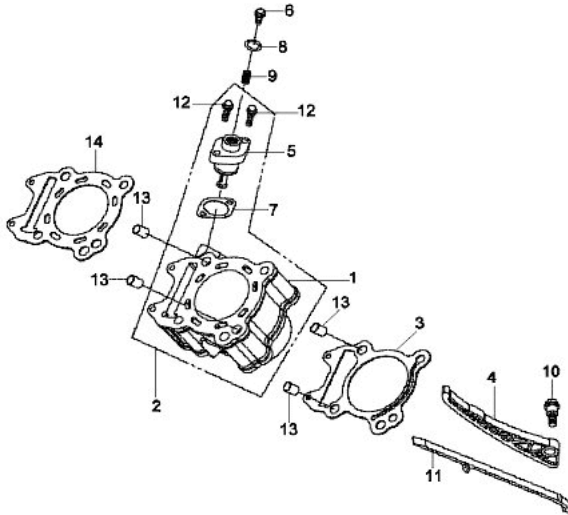
## 2. CYLINDER HEAD COMP



ITEM	PART NO.	NAME	QTY
02		CYLINDER HEAD COMP	
02-1	A2200-RB1-0000	CYLINDER HEAD COMP	1
02-2	A2209-H6B-9000	VALVE STEM SEAL	4
02-3	A4100-RB1-0000	CAM SHAFT COMP	1
02-4	A4431-RFA-0000	IN. VALVE ROCKER ARM	1
02-5	A443A-RFA-0000	IN. VALVE ROCKER ARM ASSY.	1
02-6	A4441-RFA-0000	EX. VALVE ROCKER ARM	1
02-7	A444A-RFA-0000	EX. VALVE ROCKER ARM ASSY.	1
02-8	A4451-HMA-0000	ROCKER ARM SHAFT	2
02-9	A4457-HMA-0000	CAM SHAFT SETTING PLATE	1
02-10	A4711-HMA-0000	IN. VALVE	2
02-11	A4721-HMA-0000	EX. VALVE	2
02-12	A4751-HMA-0000	VALVE OUTER SPG.	4
02-13	A4761-HMA-0000	VALVE INNER SPG.	4
02-14	A4771-M8Q-0000	VALVE SPRING RETAINER	4
02-15	A4777-KN7-6700	VALVE SPRING SEAT	4
02-16	A4781-M9Q-0000	VALVE COTTER	8
02-17	C7750-PC1-0000	THERMO UNIT ASSY	1
02-18	A8647-RB1-0000	AIR PIPE COMP	1

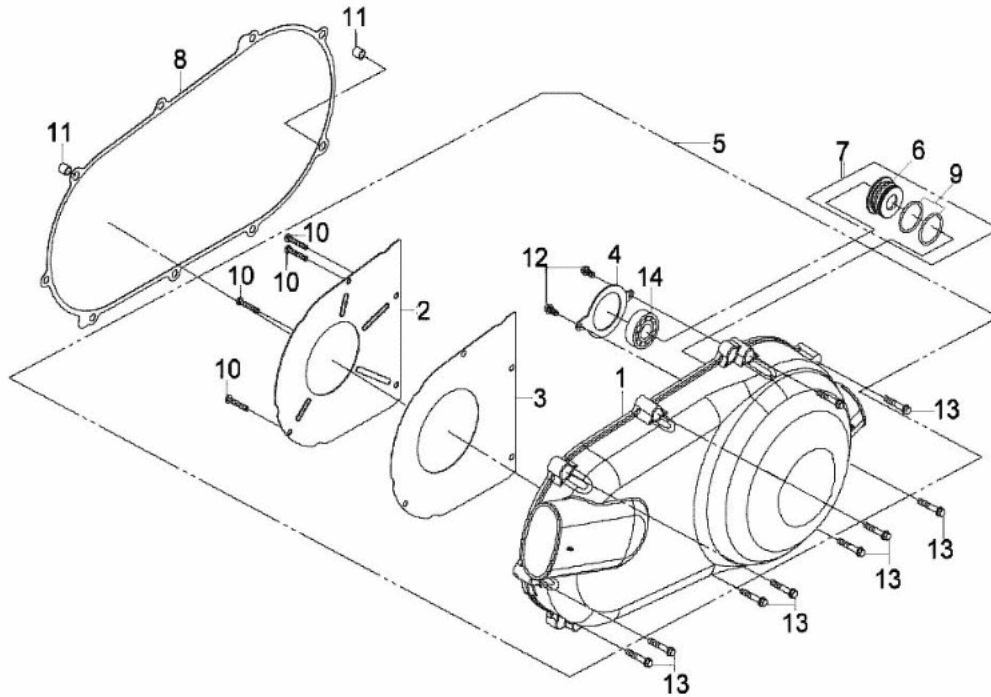
02-19	A8654-N14-0000	AIR PIPE GASKET	2
02-20	A9300-HMA-0000	THERMOSTAT ASSY.	1
02-21	A9315-KJ9-0000	THERMOSTAT COVER COMP	1
02-22	I0012-HLK-0000	TAPPET ADJUSTING SCREW	4
02-23	I0206-HLK-0000	TAPPET ADJUSTING SCREW NUT	4
02-24	I0442-HMA-0000	SEALING WASHER 10.5MM	4
02-25	I4050-10080	FLANGE NUT 10MM	4
02-26	I6001-06014-08	FLANGE BOLT 6*14	1
02-27	I6001-06016-00	FLANGE BOLT SH 6X16	6
02-28	I6001-06090-00	FLANGE SH BOLT 6*90	2
02-29	I8000-RB1-0000	SPARK PLUG (CR8E)	1

### 3. CYLINDER ASSY.

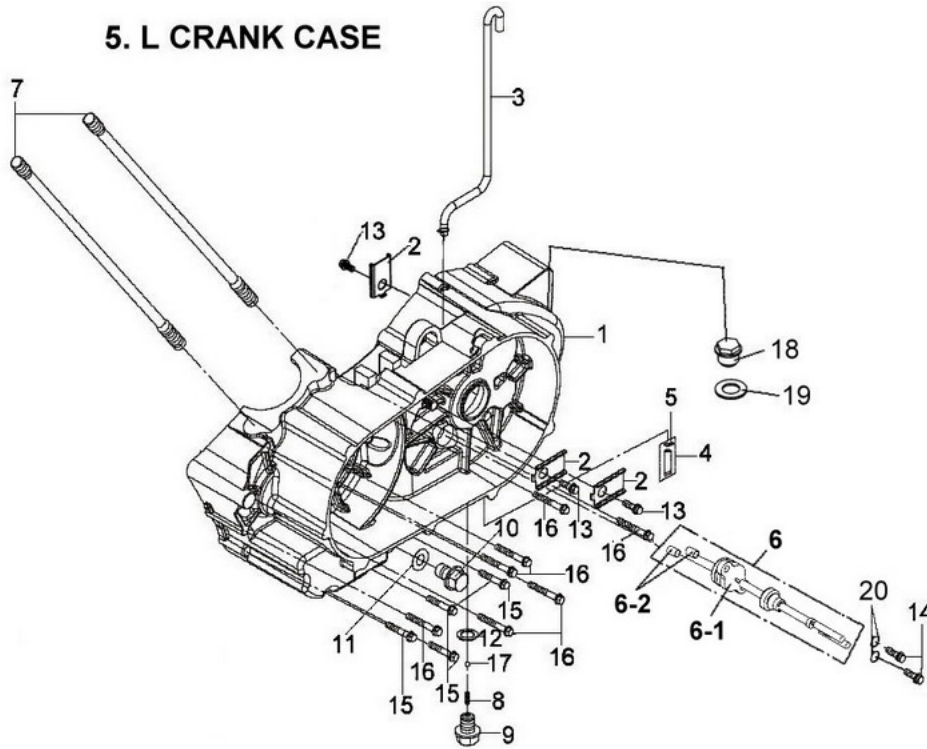


ITEM	PART NO.	NAME	QTY
03		CYLINDER ASSY.	
03-1	A2100-HMA-0000	CYLINDER COMP	1
03-2	A210A-HMA-0000	CYLINDER ASSY.	1
03-3	A2191-HMA-0000	CYLINDER GASKET	1
03-4	A4510-HMA-0000	CAM CHAIN TENSIONER	1
03-5	A4520-H6T-0000	TENSIONER LIFTER ASSY.	1
03-6	A4522-H6T-0000	ADJUSTER BOLT	1
03-7	A4523-M9Q-0000	TENSIONER LIFTER GASKET	1
03-8	A4524-H6T-0000	O-RING	1
03-9	A4525-H6T-0000	ADJUSTER SPRING	1
03-10	A4531-KJ9-0000	CAM CHAIN TENSIONER PIVOT	1
03-11	A4610-HMA-0000	CAM CHAIN GUIDE	1
03-12	I0001-M9Q-0000	FLANGE SHF BOLT 6*22	2
03-13	I4301-12200	DOWEL PIN 12*20	4
03-14	A2251-HMA-0000	CYLINDER HEAD GASKET	1

#### 4. L COVER ASSY.

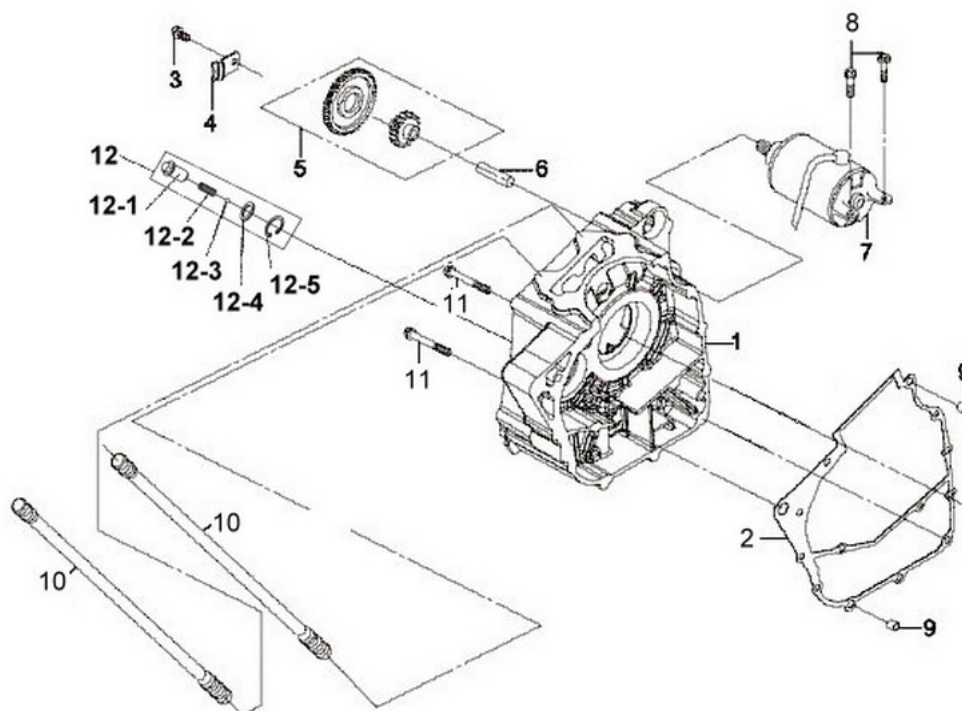


ITEM	PART NO.	NAME	QTY
04		L COVER ASSY.	
04-1	A1341-RB2-0000	L COVER	1
04-2	A1342-RB1-0000	L. COVER PLATE	1
04-3	A1343-RB1-0000	L. COVER PLATE GASKET	1
04-4	A1346-HMA-0000	L. BEARING SETTING PLATE	1
04-5	A134A-RB2-0000	L COVER ASSY.	1
04-6	A1371-HMA-0000	BERING STAY COLLAR	1
04-7	A137A-HMA-0000	BEARING STAY COLLAR ASSY.	1
04-8	A1395-RB1-0000	L COVER GASKET	1
04-9	I1303-HMA-0000	O-RING 26.5*2.0	2
04-10	I3500-05012-0H	SCREW PAN M5*12	4
04-11	I4301-08140	KNOCK PIN	2
04-12	I6001-06012-00	SH. FLANGE BOLT 6*12	2
04-13	I6001-06035-00	FLANGE SH BOLT 6X35	9
04-14	I6150-60060-10	RADIAL BALL BEARING 6006LLU	1



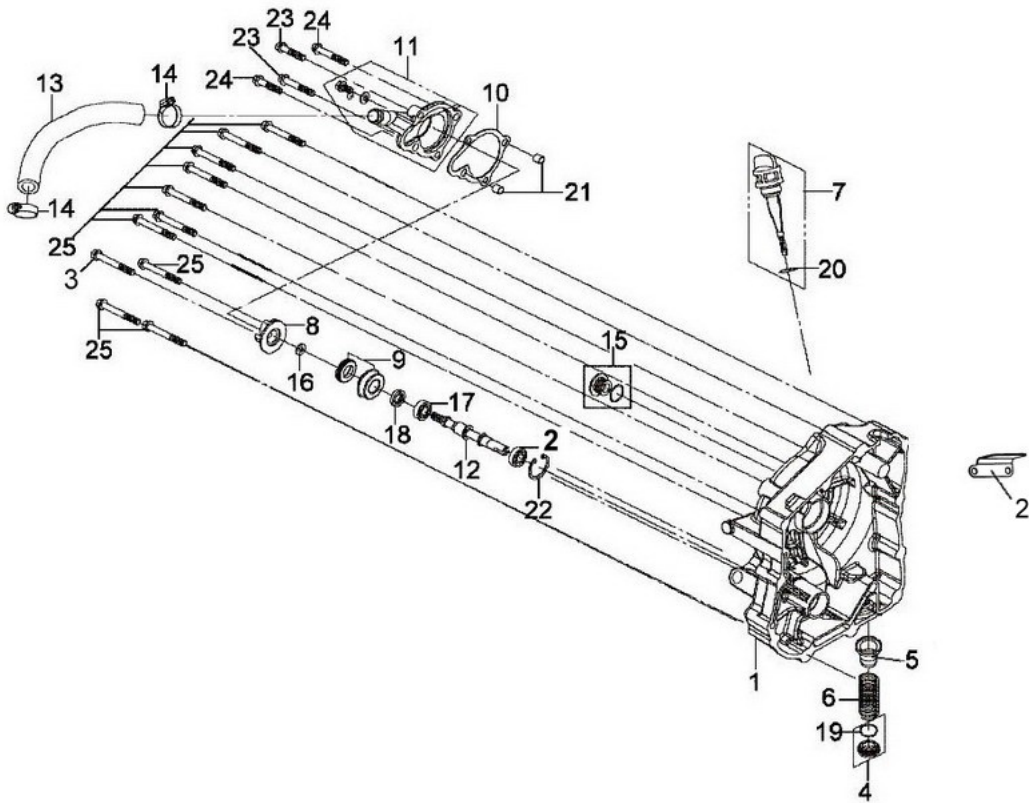
ITEM	PART NO.	NAME	QTY
05		L CRANK CASE	
05-1	A1200-RB1-0000	L CRANK CASE COMP	1
05-2	A1205-RB1-0000	SETTING PLATE	2
05-3	A1221-RB1-0000	MISSION BREATHER TUBE	1
05-4	A1230-RA1-0000	DRAIN TUBE ASSY.	1
05-5	A5772-500-0000	TUBE CLIP	1
05-6	C575A-RB1-0200	CHANGE SW. SET	1
05-6-1	C5759-RB1-0000	CHANGE SW. ASSY.	1
05-6-2	C5751-RB1-0200	CHANGE SW. COLLAR	2
05-7	I0032-HMA-0000	CYLINDER STUD BOLT B	2
05-8	I0051-RB1-0000	SPRING FIXED CATCH	1
05-9	I0052-RB1-0000	SCREW FIXING	1
05-10	I2800-12000	DRAIN PLUG BOLT 12MM	1
05-11	I4109-12000	DRAIN PLUG WASHER 12MM	1
05-12	I4109-14000	DRAIN PLUG WASHER 14MM	1
05-13	I6001-06012-00	SH. FLANGE BOLT 6*12	3
05-14	I6001-06018-00	FLANGE BOLT SH 6*18	2
05-15	I6001-06050-00	FLANGE SH BOLT 6X50	4
05-16	I6001-06070-00	SH. FLANGE BOLT 6*70mm	7
05-17	I6211-12000	STELL BALL 12	1
05-18	A1206-RB1-0000	L. CASE SEALING BOLT	1
05-19	I0403-RB1-0000	L. CASE SEALING WASHER	1
05-20	I4101-06800	PLAIN WASHER 6mm	2

## 6. R CRANK CASE



ITEM	PART NO.	NAME	QTY
06		R CRANK CASE	
06-1	A1100-RB1-0000	R CRANK CASE COMP	1
06-2	A1191-RB1-0000	CRANK CASE GASKET	1
06-3	I6001-06010-08	FLANGE BOLT SH 6*10	1
06-4	A4151-HMA-0000	CAM CHAIN SETTING PLATE	1
06-5	B8101-RB1-0000	STAR. REDUCTION GEAR COMP	1
06-6	B8102-RB1-0000	STA. REDUCTION GEAR SHAFT	1
06-7	C1200-RB1-0000	START MOTOR ASSY.	1
06-8	I6001-06022-00	FLANGE BOLT SH 6*22	2
06-9	I4301-08140	KNOCK PIN	2
06-10	I0031-HMA-0000	CYLINDER STUD BOLT A	2
06-11	I6001-06055-00	BOLT FLANGE SH 6*55	2
06-12	A5200-HMA-0000	OIL RELIEF VALVE ASSY.	1
06-12-1	A5201-HMA-0000	OIL RELIEF VALVE	1
06-12-2	A5203-HMA-0000	OIL RELIEF SPRING	1
06-12-3	I6211-14000	STEEL BALL 14	1
06-12-4	A5202-HMA-0000	OIL RELIEF WASHER	1
06-12-5	I4520-12000	IN. CIRCLIP 12mm	1

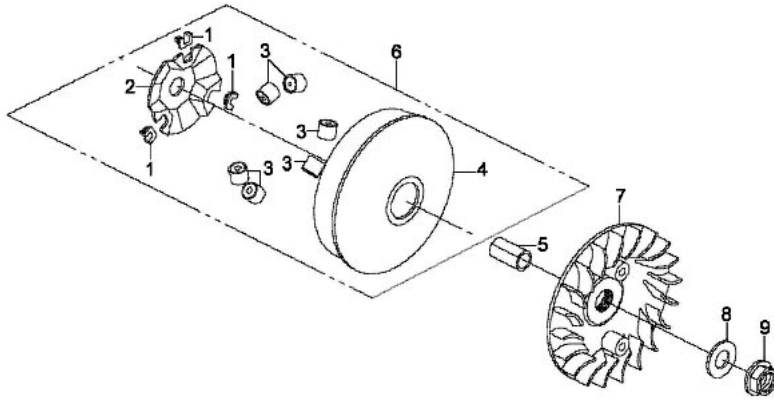
## 7. R CASE COVER



ITEM	PART NO.	NAME	QTY
07		R CASE COVER	
07-1	A1330-RB1-0000	R CASE COVER COMP	1
07-2	A5713-HMA-0000	OIL BAFFLE PLATE	1
07-3	I6001-06070-00	SH. FLANGE BOLT 6*70mm	1
07-4	A236A-V02-0000	TAPPET ADJ HOLE CAP ASSY.	1
07-5	A5421-M9Q-0000	OIL FILTER SCREEN	1
07-6	A5426-M9Q-0000	OIL FILTER SCREW SPG.	1
07-7	A565A-RB1-0000	OIL LEVEL GAUGE ASSY.	1
07-8	A9215-HLA-0000	WATER PUMP IMPELLER	1
07-9	A9217-H9A-3000	MECHANICAL SEAL	1
07-10	A9229-H9A-0000	WATER PUMP GASKET	1
07-11	A922A-HLA-0000	WATER PUMP COVER COMP	1
07-12	A9231-HMA-0000	WATER PUMP SHAFT	1
07-13	A9502-RB1-0000	WATER HOSE	1
07-14	A9505-KS6-7000	WATER HOSE CLAMP A	2
07-15	I008A-H9A-0000	ACG. CAP ASSY. 14MM	1
07-16	I0423-KJ9-0000	WASHER 7.2*13*1.2	1
07-17	I1001-KJ9-0000	RADIAL BALL BRG.6901	1
07-18	I1205-KF0-0000	OIL SEAL 12*20*5	1
07-19	I1302-M9Q-0000	O-RING 30.8MM	1
07-20	I1307-M9Q-0000	O-RING 18*3	1

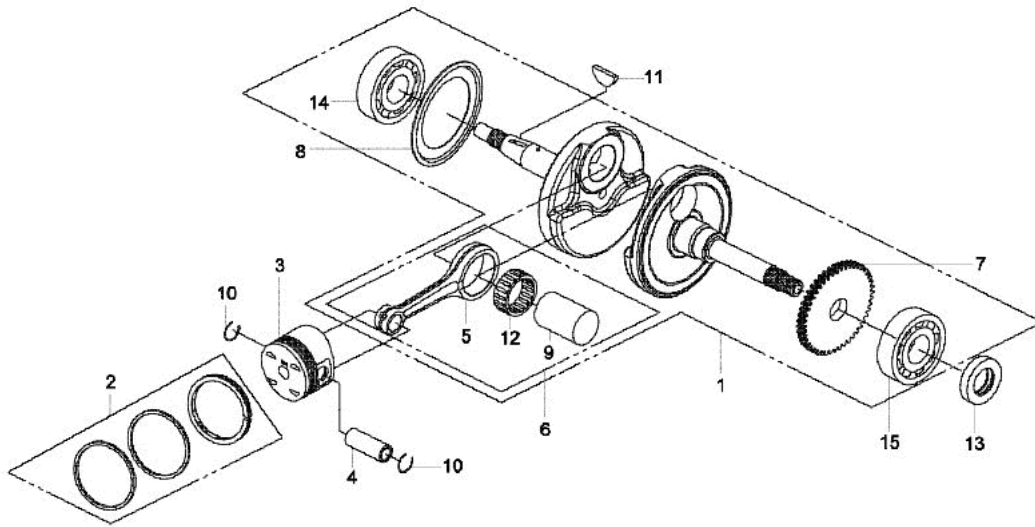
07-21	I4301-08140	KNOCK PIN	2
07-22	I4520-26000	CIR CLIP IN 26	1
07-23	I6001-06022-00	FLANGE BOLT SH 6*22	2
07-24	I6001-06032-00	FLANGE SH BOLT 6X32	2
07-25	I6001-06045-00	FLANGE BOLT SH 6*45	10
07-26	I6100-60000-00	RADIAL BALL BRG. 6000	1

## 8. MOVABLE DRIVE FACE



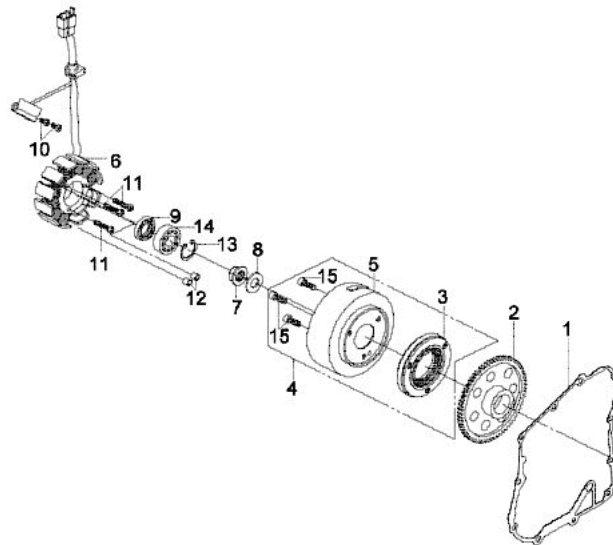
ITEM	PART NO.	NAME	QTY
08		MOVABLE DRIVE FACE	
08-1	B2132-HMA-0000	SLIDE PIECE	3
08-2	B2131-HMA-0000	RAMP PLATE	1
08-3	B2121-RB1-0000	WEIGHT ROLLER	6
08-4	B2110-HMA-0000	MOVABLE DRIVE FACE COMP.	1
08-5	B2105-HMA-0000	DRIVE FACE BOSS	1
08-6	B2000-RB1-0000	MOVABLE DRIVE FACE ASSY.	1
08-7	B2102-HMA-0000	DRIVE FACE	1
08-8	I0401-KJ9-0000	THRUST WASHER 14*28*2	1
08-9	I0201-KR8-0000	FLANGE NUT 14MM	1

## 9. CRANK SHAFT



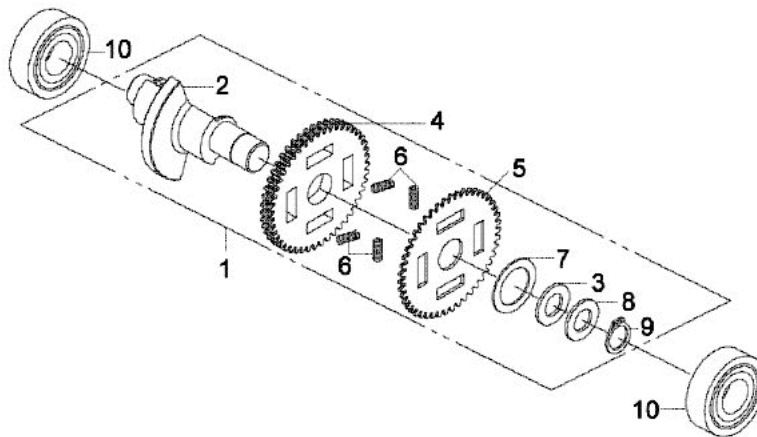
ITEM	PART NO.	NAME	QTY
09		CRANK SHAFT	
09-1	A3000-RB1-0000	CRANKSHAFT COMP	1
09-2	A3010-HMA-0000	PISTON RING SET	1
09-3	A3101-RB1-0000	PISTON	1
09-4	A3111-HMA-0000	PISTON PIN	1
09-5	A3201-RB1-0000	CONNECTING ROD	1
09-6	A320A-RB1-0000	CONN. ROD ASSY.	1
09-7	A3331-RB1-3000	BALANCE SHAFT DRIVE GEAR	1
09-8	A3371-HMA-3000	R CRANK SIDE PLATE	1
09-9	A3381-HMA-3000	CRANK PIN	1
09-10	I0601-HMA-0000	PISTON PIN CLIP 17MM	2
09-11	I0701-HB6-0000	WOODRUFF KEY 25*14*4	1
09-12	I1004-RB1-0000	CONN. ROD BRG. PK32*41*17.8	1
09-13	I1201-HMA-3000	OIL SAEL TC27*42*7	1
09-14	I6100-62070-10	RADIAL BALL BRG. 6207	1
09-15	I1002-RB1-0000	RADIAL BALL BRG. 6306	1

## 10. AC GEN FLYWHEEL



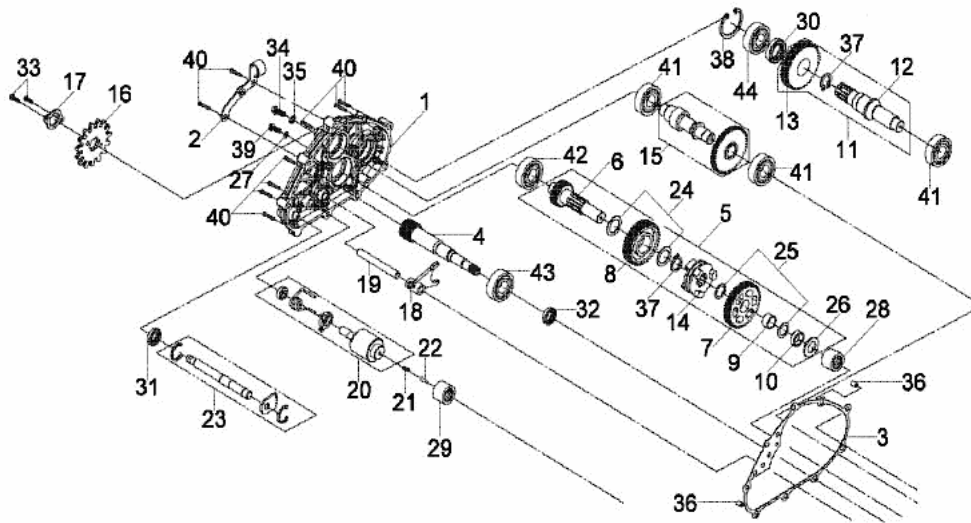
ITEM	PART NO.	NAME	QTY
10		AC GEN FLYWHEEL	
10-1	A1394-RB1-0000	R COVER GASKET	1
10-2	B8110-HMA-0000	STARTING CLUTCH GEAR COMP	1
10-3	B812A-HMA-0000	ONE WAY CLUTCH ASSY.	1
10-4	C110A-RB1-0000	AC GEN FLYWHEEL SET	1
10-5	C1110-RB1-0000	FLYWHEEL COMP.	1
10-6	C1120-RB2-0000	STATOR COMP	1
10-7	I0201-KR8-0000	FLANGE NUT 14MM	1
10-8	I0401-KJ9-0000	THRUST WASHER 14*28*2	1
10-9	I1202-HMA-0000	OIL SEAL TC12*22*5	1
10-10	I2101-05012-0H	HEX BOLT 5*12mm	2
10-11	I6001-06040-00	SH. FLANGE BOLT 6*40	3
10-12	I4301-08140	KNOCK PIN	2
10-13	I4520-32000	CIRCLIP	1
10-14	I6140-62013-10	RADIAL BALL BRG. 6201LUC3	1
10-15	I0157-F3G-0000	SOCKET BOLT 8X20	3

## 11. BALANCE SHAFT



ITEM	PART NO.	NAME	QTY
11		BALANCE SHAFT	
11-1	A3300-RB1-0000	BALANCE SHAFT COMP	1
11-2	A3301-RB1-0000	BALANCE SHAFT	1
11-3	A3302-RB1-0000	WAVE WASHER 28.3*36*1	1
11-4	A3332-RB1-3000	BALANCE SHAFT DRIVE GEAR A	1
11-5	A3333-RB1-0000	BALANCE SHAFT DRIVE GEAR B	1
11-6	A3334-RB1-0000	BALANCE SHAFT DRIVE GEAR SPRING	4
11-7	A3337-RB1-0000	WASHER 28.3*47.5*1.4	1
11-8	A3338-RB1-0000	WASHER 28.3*36*1	1
11-9	I4510-28000	CIR CLIP EX 28MM	1
11-10	I6100-62040-10	RADIAL BALL BRG. 6204	2

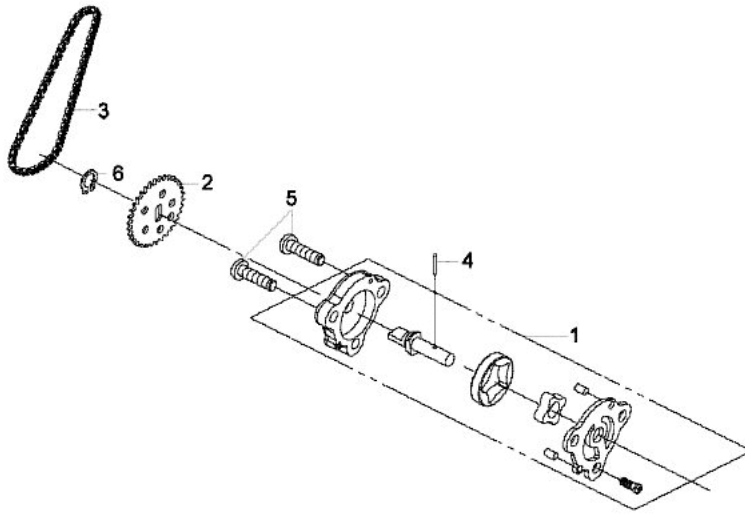
## 12. MISSION CASE



ITEM	PART NO.	NAME	QTY
12		MISSION CASE	
12-1	B1200-RB1-0100	MISSION CASE	1
12-2	B1201-RB1-0000	INNER COVER STAY A	1
12-3	B1395-RB1-0000	MISSION CASE GASKET	1
12-4	B3411-RB1-0000	DRIVE SHAFT	1
12-5	B3420-RB1-0000	COUNTER SHAFT ASSY.	1
12-6	B3421-RB1-0000	COUNTER SHAFT	1
12-7	B3422-RB1-0000	COUNTER GEAR A	1
12-8	B3423-RB1-0000	COUNTER GEAR B COMP	1
12-9	B3424-RB1-0000	BUSH 20*13	1
12-10	B3425-RB1-0000	SPACER	1
12-11	B3430-RB1-0100	FINAL SHAFT COMP	1
12-12	B3431-RB1-3100	FINAL SHAFT	1
12-13	B3432-RB1-3000	FINAL GEAR	1
12-14	B3475-RB1-0000	CLIDING CLAW	1
12-15	B3500-RB1-0000	REVERSE SHAFT COMP	1
12-16	B3800-RB1-0000	DRIVE SPROCKET	1
12-17	B3801-RB1-0000	DRIVE SPROCKET FIXING PLATE	1
12-18	B4211-RB1-0000	SHIFT FORK	1
12-19	B4241-RB1-0000	SHIFT FORK SHAFT	1
12-20	B4300-RB1-0000	SHIFT DRUM COMP	1
12-21	B4319-R02-0000	GEAR INDICATION DRILL SPG	1
12-22	B4323-R02-0000	GEAR INDICATION DRILL	1
12-23	B4610-RB1-0000	GEAR SHIFT SPINDLE COMP	1
12-24	I0401-RB1-0000	PLAIN WASHER 25MM	2
12-25	I0402-RB1-0000	PLAIN WASHER 20MM	2

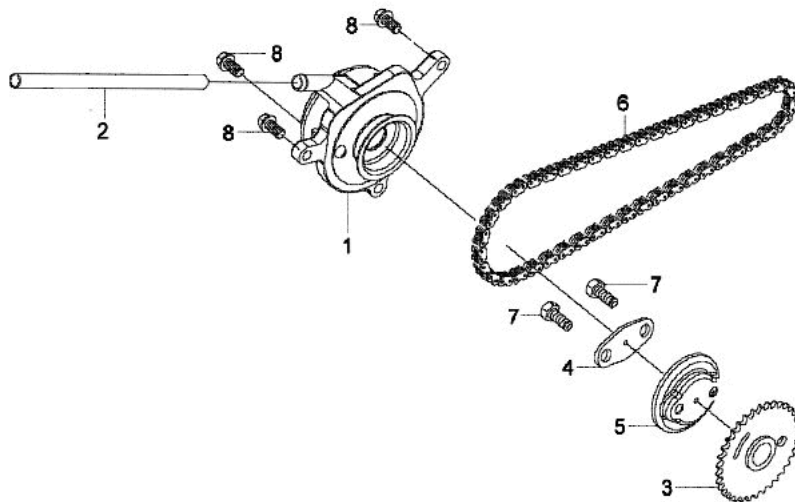
12-26	I0454-RB1-0000	THRUST WASHER 20.5*38*2	1
12-27	I0474-M9Q-0000	WASHER 8MM	1
12-28	I1003-RB1-0000	NEEDLE BRG. HK2016	1
12-29	I1103-X17-0000	NEEDLE BRG. K25X29X10	1
12-30	I1209-RCA-0000	OIL SEAL TC 25*52*7	1
12-31	I1202-RB1-0000	OIL SEAL TC14*26*6	1
12-32	I1204-HMA-0000	OIL SEAL TC25*40*7	1
12-33	I2101-06010-0H	HEX BOLT 6*10	2
12-34	I2800-12000	DRAIN PLUG BOLT 12MM	1
12-35	I4109-12000	DRAIN PLUG WASHER 12MM	1
12-36	I4301-10140	KNOCK PIN	2
12-37	I4510-25000	CIRCLIP EX 25mm	2
12-38	I4520-52000	CIRCLIP IN	1
12-39	I5701-08012-00	BOLT FLANGE 8*12	1
12-40	I5701-08040-00	FLANGE BOLT 8*40	9
12-41	I6100-62040-10	RADIAL BALL BRG. 6204	3
12-42	I6100-63040-10	RADIAL BALL BRG. 6304	1
12-43	I6100-63053-00	RADIAL BALL BRG. 6305	1
12-44	I6100-62050-00	RADIAL BALL BEARING 6205	1

### 13. OIL PUMP ASSY.



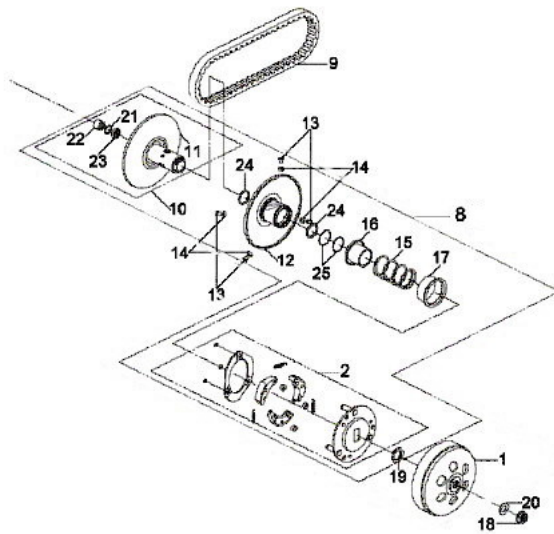
ITEM	PART NO.	NAME	QTY
13		OIL PUMP ASSY.	
13-1	A5100-HMA-0000	OIL PUMP ASSY.	1
13-2	A5133-HMA-0000	OIL PUMP DRIVEN SPROCKET	1
13-3	A5141-HMA-0000	OIL PUMP CHAIN 48L	1
13-4	I1101-HMA-0000	ROLLER 2.5*11.8	1
13-5	I3500-06025-0H	PAN SCREW 6X25	2
13-6	I4510-10000	CIR CLIP EX 10	1

## 14. CYL. HEAD SIDE COVER ASSY.



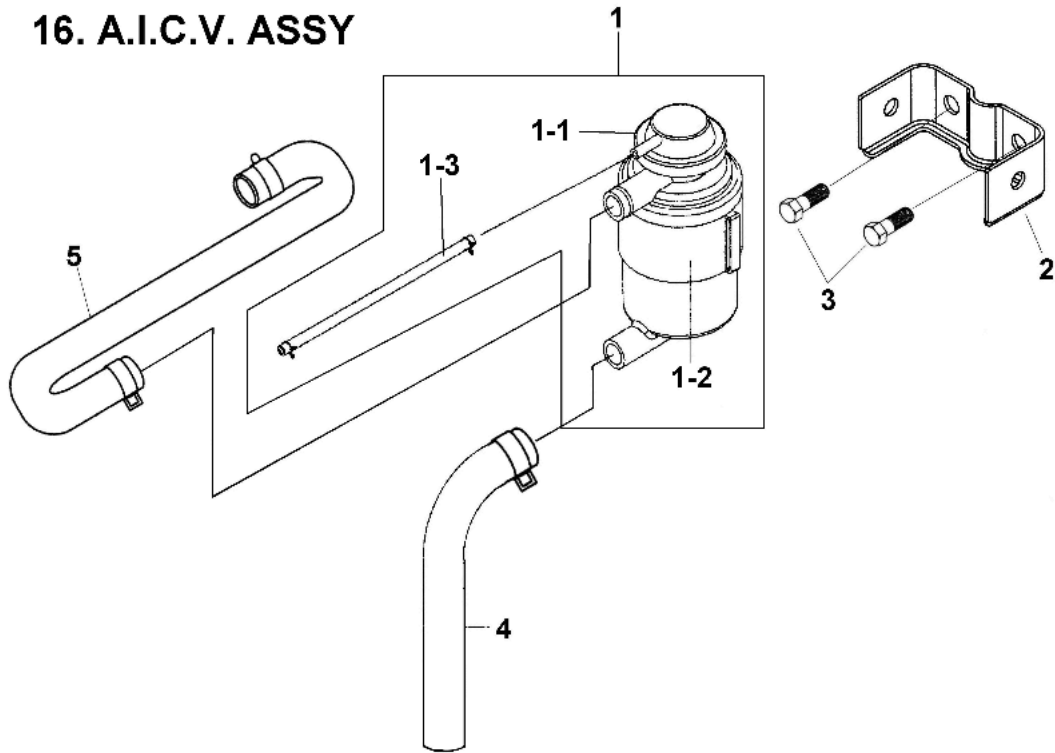
ITEM	PART NO.	NAME	QTY
14		CYL. HEAD SIDE COVER ASSY.	
14-1	A230A-RB1-0000	CYL. HEAD SIDE COVER ASSY.	1
14-2	A2314-RB1-0000	BREATHER TUBE	1
14-3	A4105-A31-0000	CAM SPROCKET	1
14-4	A4105-X01-0000	CAM SPROCKET WASHER	1
14-5	A4108-M36-0000	CENTRIFUGAL DISK	1
14-6	A4401-HMA-0000	CAM CHAIN 100L	1
14-7	I0083-X01-0000	LOCK BOLT 6MM	2
14-8	I6001-06018-00	FLANGE BOLT SH 6*18	3

## 15. DRIVEN PULLEY SET



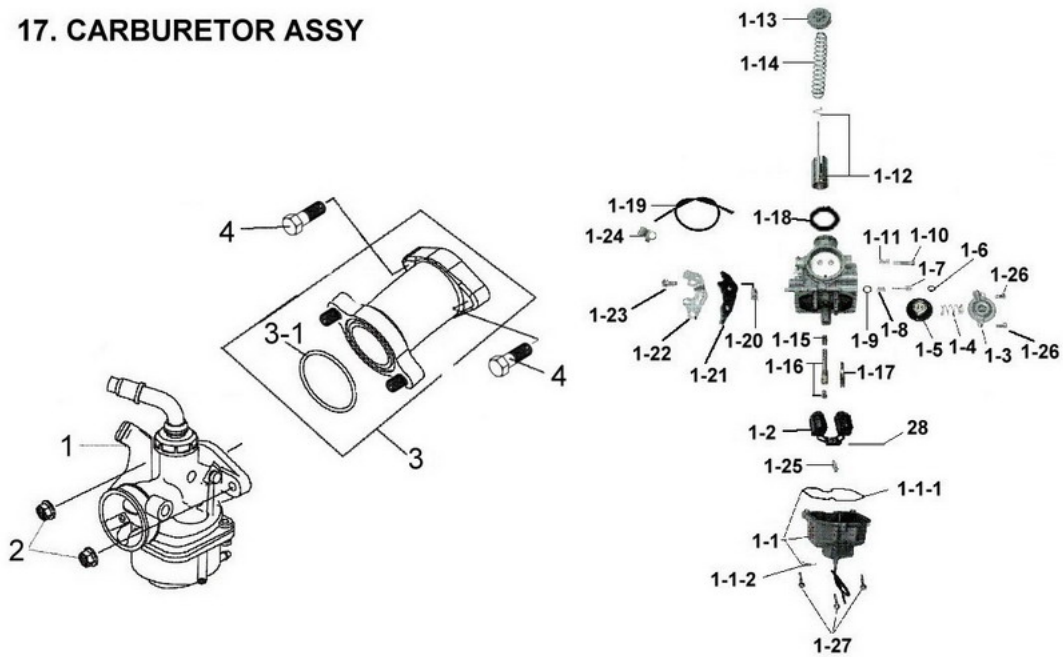
ITEM	PART NO.	NAME	QTY
15		DRIVEN PULLEY SET	
15-1	B2101-HMA-0000	CLUTCH OUTER	1
15-2	B2300-HMA-0000	DRIVE PLATE ASSY.	1
15-8	B3010-HMA-0000	DRIVEN PULLEY ASSY	1
15-9	B3100-RB1-0000	DRIVE BELT	1
15-10	B3200-HMA-0000	DRIVEN FACE ASSY.	1
15-11	B3210-HMA-0000	DRIVEN FACE COMP.	1
15-12	B3220-HMA-0000	MOVABLE DRIVEN FACE COMP.	1
15-13	B3225-HMA-0000	ROLLER GUIDE PIN	4
15-14	B3226-HMA-0000	GUIDE ROLLER	4
15-15	B3233-HMA-0000	DRIVEN FACE SPRING	1
15-16	B3237-HMA-0000	SEAL COLLAR	1
15-17	B3238-HMA-0000	SPRING COLLAR	1
15-18	I0201-KR8-0000	FLANGE NUT 14MM	1
15-19	I0202-HMA-0000	SPECIAL NUT 36MM	1
15-20	I0401-KJ9-0000	THRUST WASHER 14*28*2	1
15-21	I0602-HMA-0000	IN. CIRCLIP	1
15-22	I1006-HMA-3000	NEEDLE BEARING HKS25*32*14	1
15-23	I1007-HMA-3000	RADIAL BALL BRG. 6903LU	1
15-24	I1211-HMA-0000	OIL SEAL TC41*48*4	2
15-25	I1305-HMA-0000	O-RING 47*2.0	2

# 16. A.I.C.V. ASSY



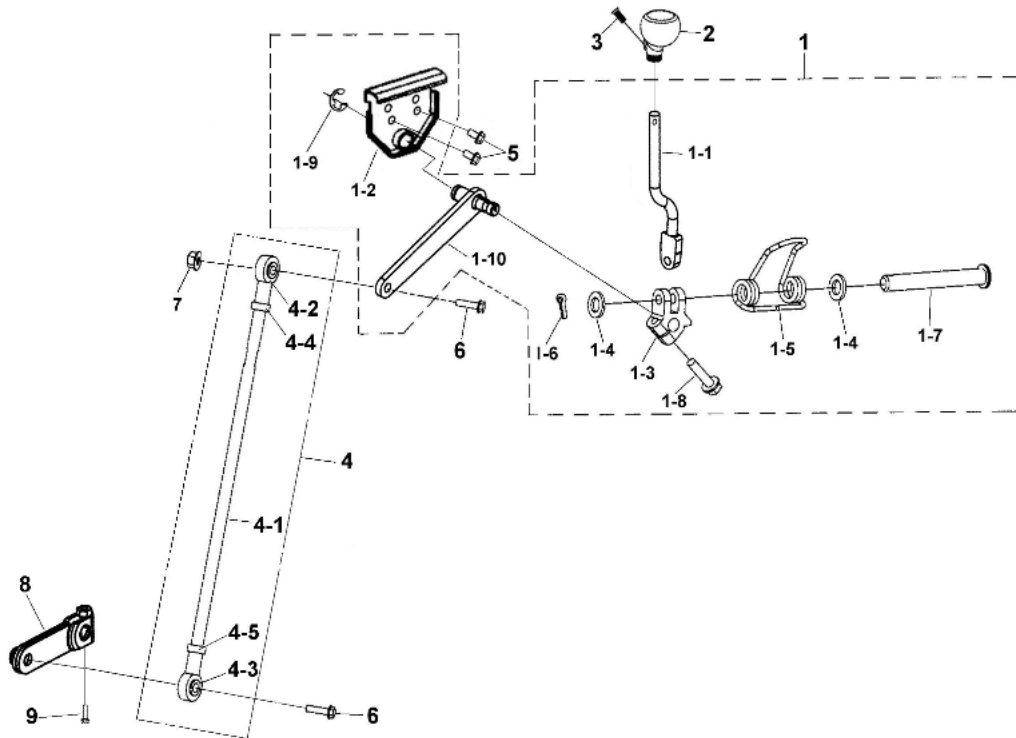
ITEM	PART NO.	NAME	QTY
16		A.I.C.V. ASSY.	
16-1	A865A-LRA0-0000	AICV ASSY	1
16-1-1	A8650-HMA-0000	AICV	1
16-1-2	A8811-N14-000	A.I.A.C SETTING BAND	1
16-1-3	A8657-RB1-0000	A.I.C.V. INLET PIPE JOINT TUBE ASSY.	1
16-2	A7401-LRA0-0000	STAY AICV	1
16-3	I0149-06012	BOLT,FLANGE	2
16-4	A8655-LRA0-0000	AICV JOINT TUBE	1
16-5	A8656-LRA0-0000	AICV-REED VALVE JOINT TUBE	1

## 17. CARBURETOR ASSY



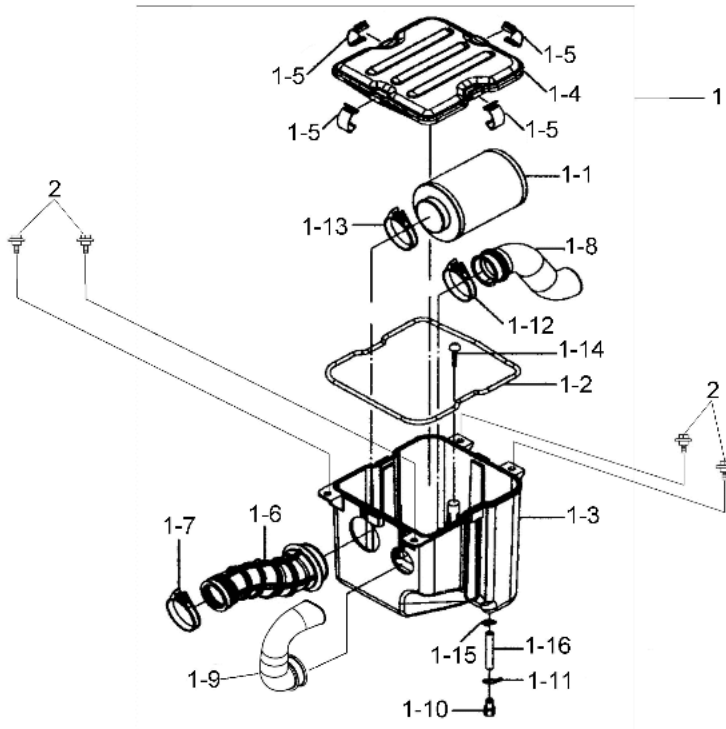
ITEM	PART NO.	NAME	QTY
17		CARBURETOR ASSY	
17-1	A6100-RB1-0000	CARB. ASSY.	1
17-1-1	K3500-076-0000	FLOAT CHAMBER BODY ASSY	1
17-1-1-1	A6157-RB2-0000	BOWL GASKET	1
17-1-1-2	S391-0030	DRAIN SCREW ASSY	1
17-1-2	D1310-850-0000	FLOAT COMP	1
17-1-3	A230-846-2000	COVER, DIAPHRAGM	1
17-1-4	W1711-300-990	COIL SPRING	1
17-1-5	A20A-106H-9000	DIAPHRAGM COMP	1
17-1-6	A6075-KG8-901	O-RING	1
17-1-7	N4460-28B00	ADJUST SCREW	1
17-1-8	A300-KG8H-901	COMPRESSION COIL SPRING	1
17-1-9	A795-LG8H-901	WASHER	1
17-1-10	W9576-0100	STOP SCREW	1
17-1-11	A300-KG8H-Q01	COMPRESSION COIL SPRING	1
17-1-12	K5020-RB1-0000	THROTTLE VALVE ASSY	1
17-1-13	K590-076-0000	TOP ASSY	1
17-1-14	A290-B97-2000	COIL SPRING	1
17-1-15	A0100-43FH-9000	NEEDLE JET	1
17-1-16	K6165-M47-0000	NEEDLE JET HOLDER ASSY	1
17-1-17	D1424-KAG-0000	SLOW JET	1
17-1-18	I4608-RB2-0000	O-RING	1
17-1-19	K7850-076-0000	RUBBER PIPE ASSY	1
17-1-20	A305-491H-990	TORSION COIL SPRING	1
17-1-21	A1130-HB7H-6000	CHOKE LVEVR	1
17-1-22	D1141-A63-010	STAY PLATE	1

17-1-23	I3892-04008-10	WASHER SCREW	1
17-1-24	A6119-MZ2-6000-K2	STAY PLATE	1
17-1-25	A6155-ZG8-L100	FLOAT VALVE COMP	1
17-1-26	I3892-04010-18	WASHER SCREW	2
17-1-27	I3892-04016-18	WASHER SCREW	3
17-1-28	A6124-RB2-0000	FLOAT PIN	1
17-2	I4050-06000	NUT FLANGE 6MM	2
17-3	A711A-RB1-0000	INLET PIPE ASSY.	1
17-3-1	I1308-HMA-0000	O-RING 34*2.0	1
17-4	I6001-06022-00	FLANGE BOLT SH 6*22	2
17-5	I6001-06025-00	FLANGE BOLT SH 6*25	2

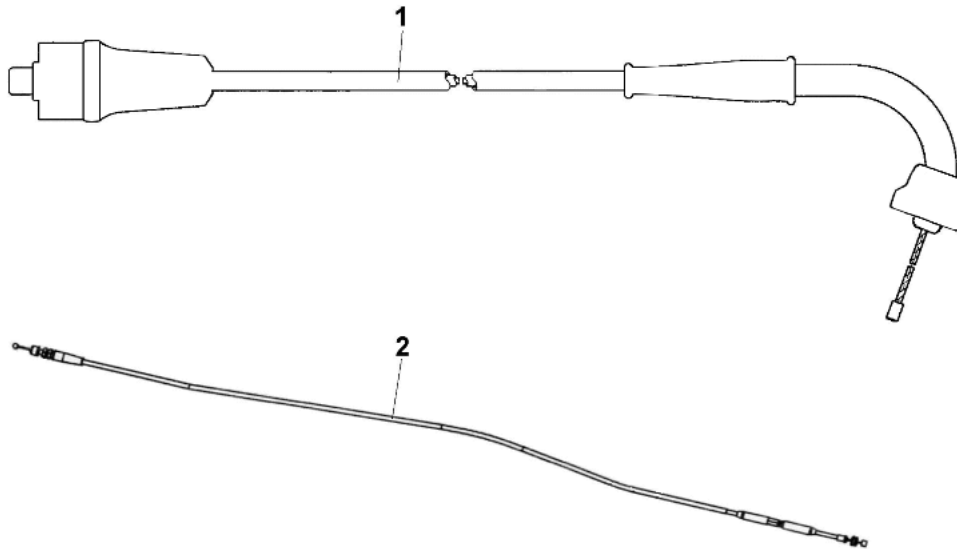


ITEM	PART NO.	NAME	QTY
18		GEAR SHAFT LEVER, SAFETY SWITCH	
18-1	B464A-LRA0-0000	SHAFT COMP ROD	1
18-1-1	B4641-LRA0-0000	ROD SHIFT	1
18-1-2	B4622-GJA0-0000	FIXED SUPPORT CATCH	1
18-1-3	B4643-V30-0000	FIXED SUPPORT ROD SHIFT	1
18-1-4	I4104-08515	WASHER	2
18-1-5	B4644-GJA0-0000	SPRING ROD SHIFT	1
18-1-6	I4201-46195	SPLIT PIN	2
18-1-7	B4645-V30-0000	PIN ROD SHIFT	1
18-1-8	I5701-06025-0C	BOLT FLANGE	1
18-1-9	I4540-1201A	CIRCLIP	1
18-1-10	B4646-LRA0-0000	SHIFT TRANSLATOR	1
18-2	B4642-LRA0-0000	HANDLE PLASTICS ASSY.	1
18-3	I3600-05015-0G	NO:009 SCREW FLAT	1
18-4	B4648-LRA0-0000	SHIFT TIE-ROR	1
18-4-1	I2900-08320-0C	STUD BOLT	1
18-4-2	I5013-08030C	BALL JOINT R	1
18-4-3	I5013-08030C-L	BALL JOINT L	1
18-4-4	I4001-081C0	NUT HEX	1
18-4-5	I4001-081C0-L	NUT HEX	1
18-5	I0149-08016	SCREW ,FLANGE	2
18-6	I6800-08030-0C	SOCKET BOLT	2

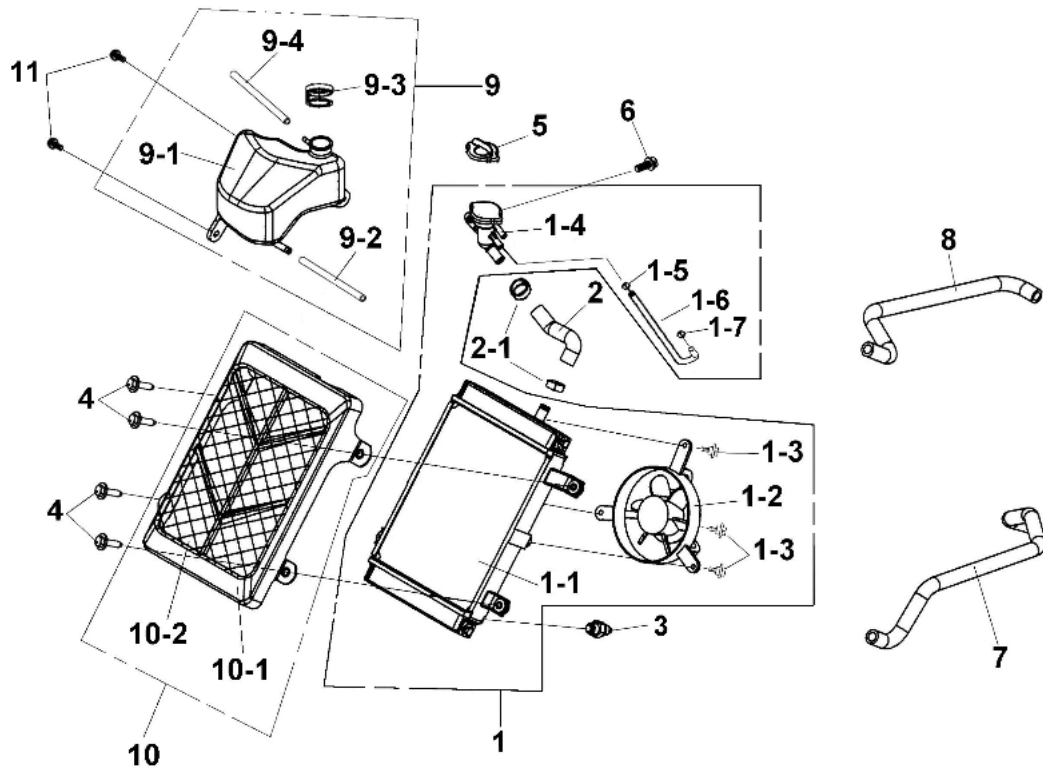
18-7	I5611-08200	NUT,FLANGE	1
18-8	B4612-V30-0000	ARM GEAR SHIFT	1
18-9	I0149-06035	BOLT ,FLANGE(M6x35)	1



ITEM	PART NO.	NAME	QTY
19		AIR CLEANER	
19-1	A7200-RB2-0000	AIR/C ASSY	1
19-1-1	A7202-RB1-0000	AIR/C ELEMENT ASSY	1
19-1-2	A7214-RB1-0000	AIR/C COVER SEAL	1
19-1-3	A7230-RB1-0000	AIR/C CASE	1
19-1-4	A7231-RB1-0000	AIR/C COVER	1
19-1-5	A7232-RB1-0000	AIR/C COVER CLAMP	4
19-1-6	A7253-RB1-0000	AIR/C CONN TUBE	1
19-1-7	A7255-B1C-0000	A/C CONNECTING TUBE BAND	1
19-1-8	A7255-RB1-0000	AIR/C INLET DUCT	1
19-1-9	A7257-RB2-0100	AIR/C CASE DUCT	1
19-1-10	A7370-M9Q-0000	BREATHER TUBE PLUG	1
19-1-11	A7371-M9Q-0000	BREATHER TUBE CLIP	1
19-1-12	I0652-M8Q-0000	AIR/C CONN TUBE BAND 46	1
19-1-13	I0652-RB1-0000	AIR/C CONN TUBE BAND 58	1
19-1-14	I3893-05010-08	SCREW WASHER (5x10)	1
19-1-15	I5002-80000	TUBE CLIP C12	1
19-1-16	I5003-23010-60	V TUBE (8x12x100)	1
19-2	I0111-06020	FLANGE BOLT	4

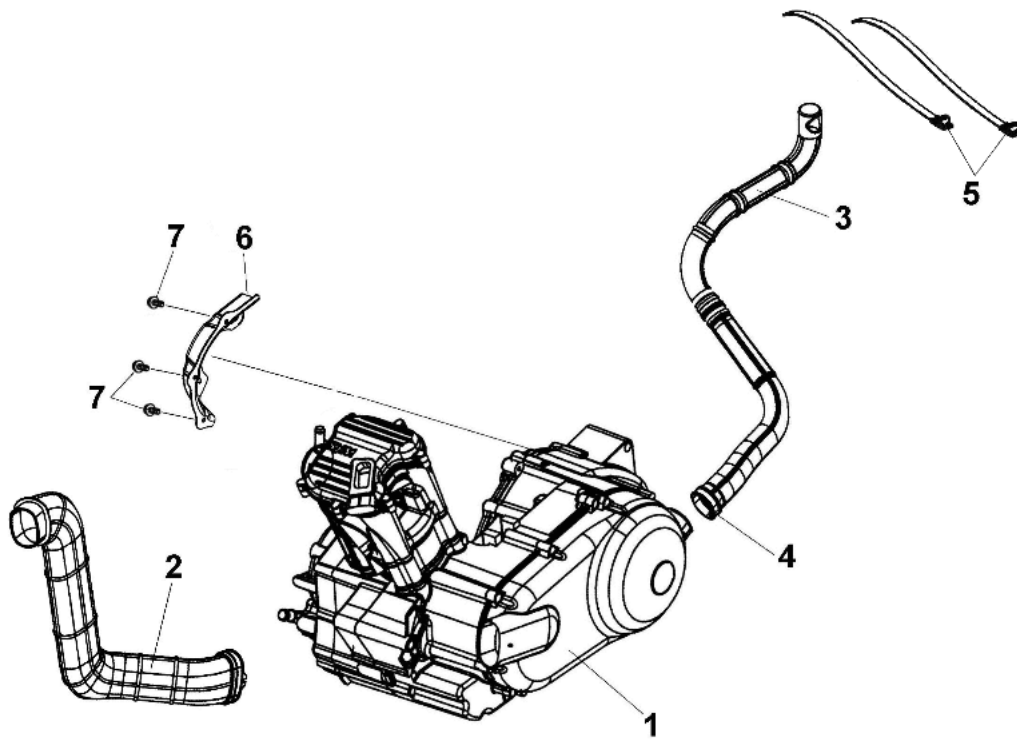


ITEM	PART NO.	NAME	QTY
20		CABLE	
20-1	A7910-LRA0-0000	CABLE THROTTLE	1
20-2	A7920-LRA0-0000	CABLE ,AIR CUT	1

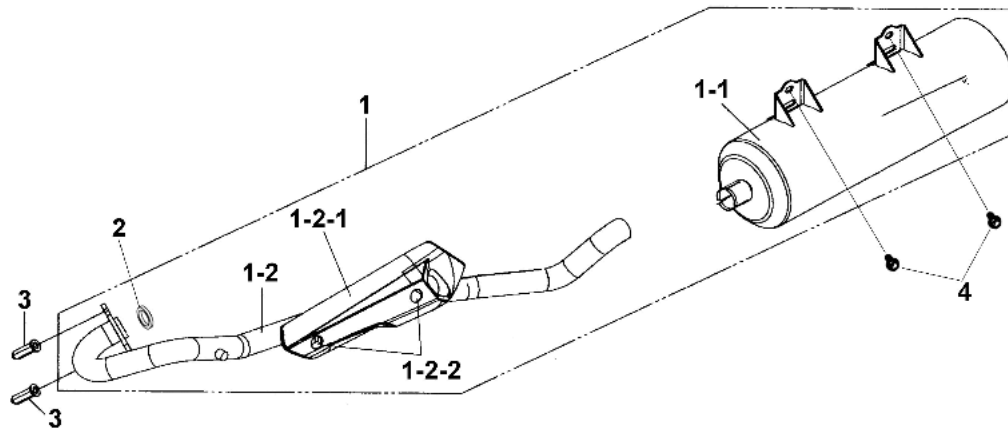


ITEM	PART NO.	NAME	QTY
21		WATER COOLER	
21-1	A900A-LRA0-0000	RADIATOR SET	1
21-1-1	A9010-LRA0-0000	RADIATOR COMP	1
21-1-2	A9005-LRA0-0000	SHROUD ASSY	1
21-1-3	I5801-06012-08	FLANGE BOLT 6x12	3
21-1-4	A9039-LRA0-0000	FILLER NECK	1
21-1-5	I5002-40850-00	TUBE CLIP D8.5	1
21-1-6	A9124-LRA0-0000	RADIATOR HOSE A	1
21-1-7	I5002-40730-00	TUBE CLAMP D7.3	1
21-2	A9125-LRA0-0000	RADIATOR HOSE OSE	1
21-2-1	A8657-LRA0-0000	FASTENER	1
21-3	C7760-LRA0-0000	THRMO. SW. ASSY	1
21-4	I0119-06030	BOLT+WASHER	4
21-5	A9111-LRA0-0000	RADIATOR FILLER CAP	1
21-6	I0149-06012	BOLT,FLANGE	1
21-7	A9121-LRA0-0000	RAD. INLET HOSE	1
21-8	A9123-LRA0-0000	RAD. OUTLET HOSE	1
21-9	A910A-LRA0-0000	RESERVE TANK ASSY	1
21-9-1	A9101-LRA0-0000	RESERVE TANK	1
21-9-2	A9108-LRA0-0000	RESERVE TANK OUTLET HOSE	1
21-9-3	A9104-LRA0-0000	TANK RESERVE CAP	1
21-9-4	A9109-LRA0-0000	RESERVE TANK HOSE	1
21-10	A9401-LRA0-0000	SHROUD RADIATOR ASSY	1

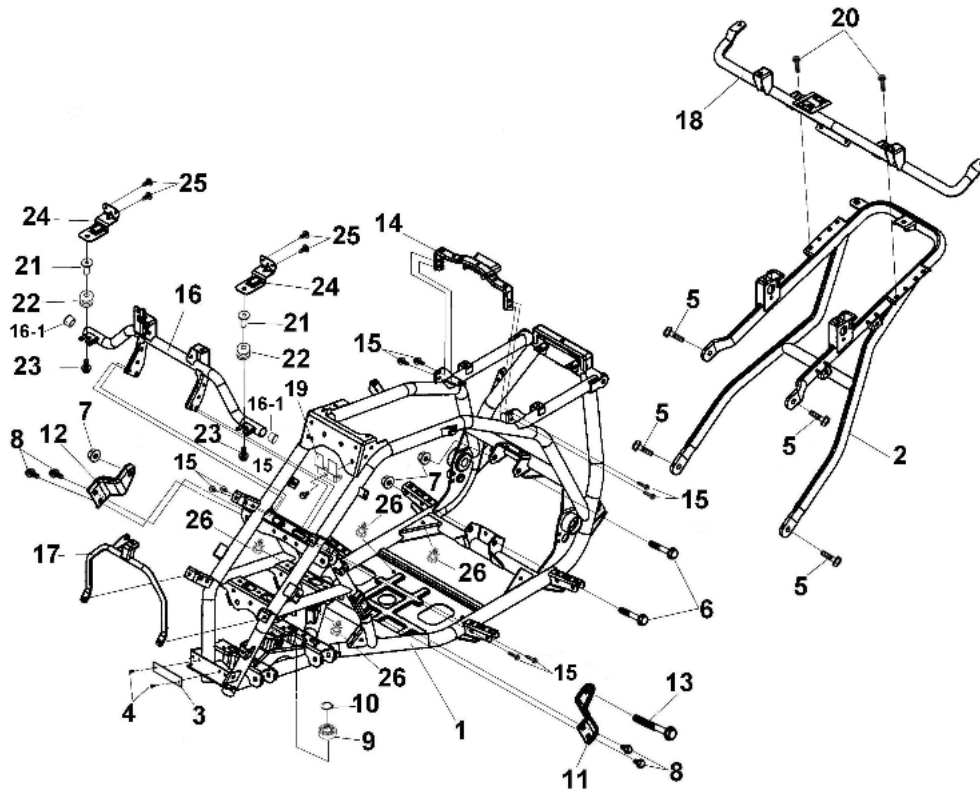
21-10-1	A9400-LRA0-0000	SHROUD RADIATOR	1
21-10-2	E0415-LRA0-0000	FTLTER NET	1
21-11	I0119-06821	BOLT+WASHER	2



ITEM	PART NO.	NAME	QTY
22		ENGINE	
22-1	AA000-RB2-0000	ENG ASSY	1
22-2	B0100-LRA0-0000	CVT INLET TUBE	1
22-3	A1346-LRA0-0000	CVT OUTLET TUBE	1
22-4	A1349-LRA0-0000	CVT OUTLET TUBE BAND	1
22-5	H3936-5AA0-0000	WIRE CLAMP	2
22-6	D0105-RB2-0000	CHAIN PROTECTO	1
22-7	I0119-05071	BOLT+WASHER	3

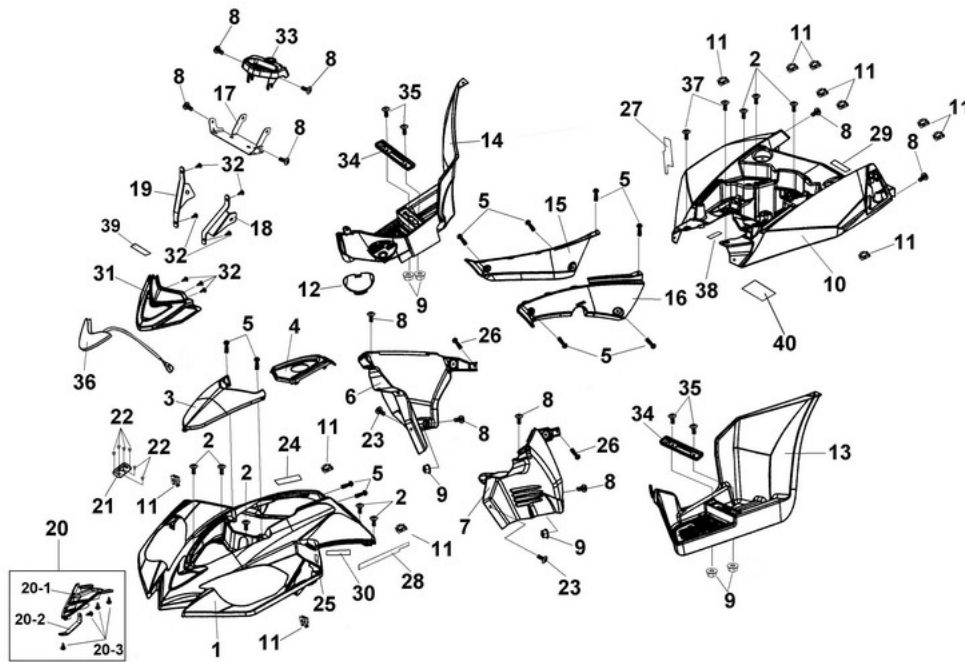


ITEM	PART NO.	NAME	QTY
23		MUFFLER	
23-1	A8000-LRA0-0000	MUFFLER ASSY.	1
23-1-1	A8310-RB2-3000	EXH. MUFFLER COMP	1
23-1-2	A832A-RB2-0000	EXH. PIPE ASSY	1
23-1-2-1	A8302-LRC0-0000	HEAT INSULATION BOARD	1
23-1-2-2	I5801-06011-3A	BOLT FLANGE	2
23-2	A8291-RB2-0000	EXH. PIPE GASKET	1
23-3	I0043-HMA-0000	CAP NUT 8MM	2
23-4	I0149-08012	BOLT ,FLANGE (M8x12)	2



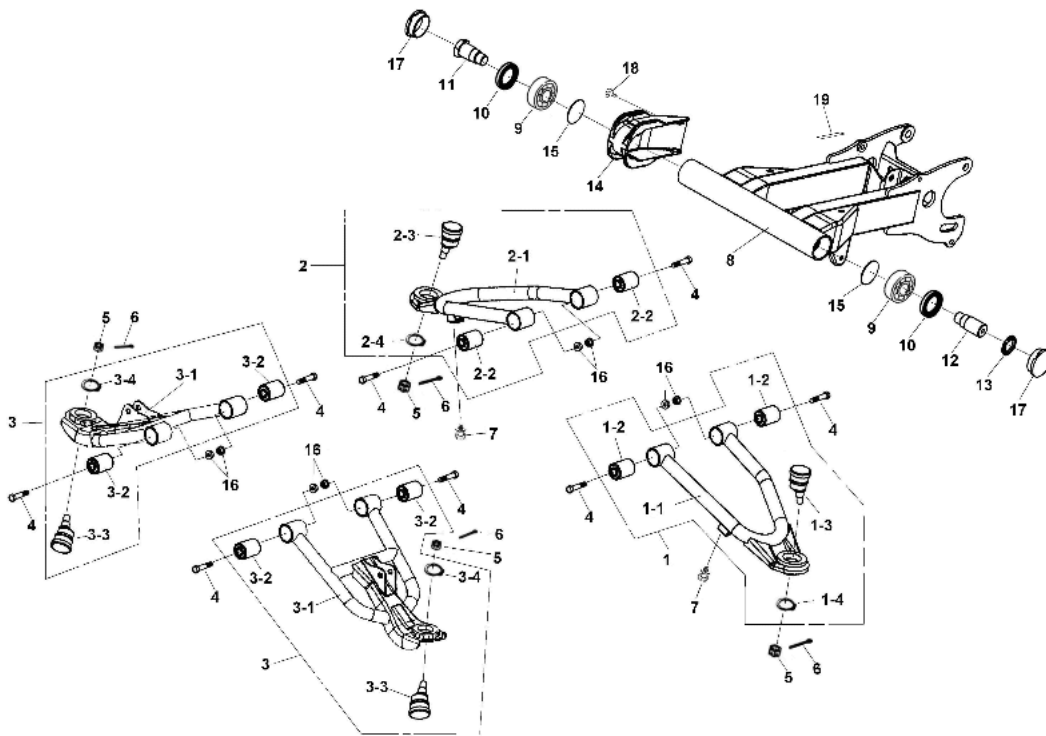
ITEM	PART NO.	NAME	QTY
24		FRAME	
24-1	E0100-LRC0-1A02	FRAME FRONT	1
24-2	E0110-LRA0-1A01	FRAME REAR	1
24-3	H7501-LRC0-0000	VIN PLATE	1
24-4	H750A-5BA1-0000	NAIL, PULL	2
24-5	I0149-10022	SCREW,FLANGE(M10x22)	4
24-6	I5701-12100-0C	BOLT, FLANGE	2
24-7	I5601-12200	NUTFLANGE CHECK	3
24-8	I5801-10016-0HA	BOLT, FLANGE (M10x16)	4
24-9	I6100-6002ZZ	BEARING (6002ZZ)	1
24-10	I4510-32000	C CLIP	1
24-11	E0101-LRA0-0000	LEFT ENG.BRACKET	1
24-12	E0102-LRA0-0000	RIGHT ENG.BRACKET	1
24-13	I5701-12160-0C	BOLT, FLANGE	1
24-14	E0170-LRA0-0000	SEAT STEY	1
24-15	I0149-06012	BOLT,FLANGE	9
24-16	E0105-LRA0-0000	UPPER SUPPORT BAR,FRONT FENDER	1
24-16-1	E0707-5EE0-0000	RUBBER PLUG	2
24-17	E0106-LRA0-0000	LOWER SUPPORT BAR,FRONT FENDER	1
24-18	E0107-LRA0-0000	SUPPORT BAR,REAR FENDER	1
24-19	C6602-LRA0-0000	HOLDER RELAY	1
24-20	I0149-08016	SCREW ,FLANGE	2

24-21	H1104-BCA0-0000	COLLAR,FLANGED	2
24-22	F0703-BCA0-0000	DAMPER	2
24-23	I0119-06821	BOLT+WASHER	2
24-24	E0111-LRA0-0000	STAY HEAD LAMP	2
24-25	I3903-312B0	TRUSS	4
24-26	D3211-LRA0-0000	CLIP	4



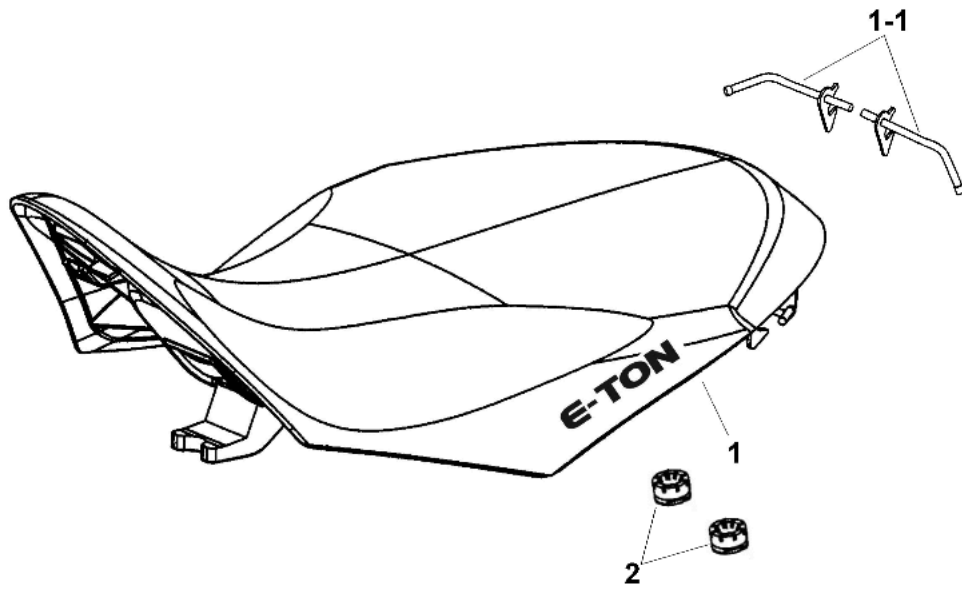
ITEM	PART NO.	NAME	QTY
25		FENDER	
25-1	F4300-LRA0-0700	FR. FENDER ASSY(SILVER)	1
25-1	F4300-LRA0-0800	FR. FENDER ASSY(BLACK)	1
25-1	F4300-LRA0-5400	FR. FENDER ASSY(BLUE)	1
25-1	F4300-LRA0-1E00	FR. FENDER ASSY(ORANGE)	1
25-2	I0119-06821	BOLT+WASHER	8
25-3	F4301-LRA0-0000	FRONT CENTRAL COVER	1
25-4	F4302-LRA0-0000	REAR CENTRAL COVER	1
25-5	I8310-FIA0-0000	PLASTICS SCREW	10
25-6	F4303-LRA0-0000	FR NT SIDE COVER R	1
25-7	F4304-LRA0-0000	FR NT SIDE COVER L	1
25-8	E0117-9EA0-0000	BUTTON HEAD SCREW(M6x18)	10
25-9	I5611-06200-0G	NUT,SELF LOCK(M6)	6
25-10	H3500-LRA0-0700	REAR FENDER (SILVER)	1
25-10	H3500-LRA0-5400	REAR FENDER (BLUE)	1
25-10	H3500-LRA0-0800	REAR FENDER (BLACK)	1
25-10	H3500-LRA0-1E00	REAR FENDER (ORANGE)	1
25-11	I5900-06160	SPRING NUT U-TYPE(M6)	12
25-12	H3511-LRA0-0000	OIL CAP PLUG	1
25-13	H3520-LRA0-0000	FOOTREST,RIGHT	1
25-14	H3620-LRA0-0000	FOOTREST,LEFT	1
25-15	F4400-LRA0-0700	RIGHT SIDE COVER(SILVER)	1
25-15	F4400-LRA0-0800	RIGHT SIDE COVER(BLACK)	1
25-16	F4500-LRA0-0800	LEFT SIDE COVER(BLACK)	1

25-16	F4500-LRA0-0700	LEFT SIDE COVER(SILVER)	1
25-17	C7203-LRA0-0000	SPEEDOMETER BRACKET	1
25-18	C7204-LRC0-0000	BRACKET HANDLE COVER L	1
25-19	C7205-LRC0-0000	BRACKET HANDLE COVER R	1
25-20	F4316-LRA0-0000	FRONT FENDER ADORNMENT COMP	1
25-20-1	F4305-LRA0-0000	FRONT FENDER ADORNMENT	1
25-20-2	C3143-LRA0-0000	POSITION LAMP ASSY	1
25-20-3	I3903-312B0	TRUSS	4
25-21	B4627-LRA0-0000	SHIFT STAY	1
25-22	H750A-5BA1-0000	NAIL, PULL	6
25-23	I3893-06016-0H	SCREW WASHER	2
25-24	H7129-FIA0-0000	STICKER,INDICATE GEAR	1
25-25	H7100-LRC0-0000	LABEL TTRE	1
25-26	I8556-06012	SCREW WASHER	2
25-27	H7127-LRC0-1E00	STICKER ,REAR FENDE R(ORANGE)	1
25-27	H7127-LRC0-0800	STICKER ,REAR FENDE R(BLACK)	1
25-27	H7127-LRC0-0700	STICKER ,REAR FENDE R(SILVER )	1
25-28	H7103-LRC0-0700	STICKER ,VECTOR 250 L(SILVER )	1
25-28	H7103-LRC0-0800	STICKER ,VECTOR 250 L(BLACK )	1
25-28	H7103-LRC0-1E00	STICKER ,VECTOR 250 L(ORANGE )	1
25-29	H7108-5EB0-0000	STICKER, E-TON	1
25-29	H7108-5BA2-0700	STICKER E-TON(SILVER)	1
25-30	H7131-FIB0-0000	STICKER,POWER SUPPLY	1
25-31	E3205-LRC0-0000	FRONT COVER,HANDLE BAR	1
25-32	I3903-312B0	TRUSS	7
25-33	E3206-LRA0-0001	REAR COVER,HANDLE BAR	1
25-34	E0701-GJA0-0000	FOOTREST BAR	2
25-35	I0149-06016	BOLT,FLANGE (M6x16)	4
25-36	C3140-RA1-0000	POSITION LAMP ASSY	1
25-37	I0119-06802	BOLT+WASHER	2
25-39	H7108-5EB0-0000	STICKER, E-TON	1
25-40	F4315-LRF0-0000	LAGGING ALUMINUM FOIL	1

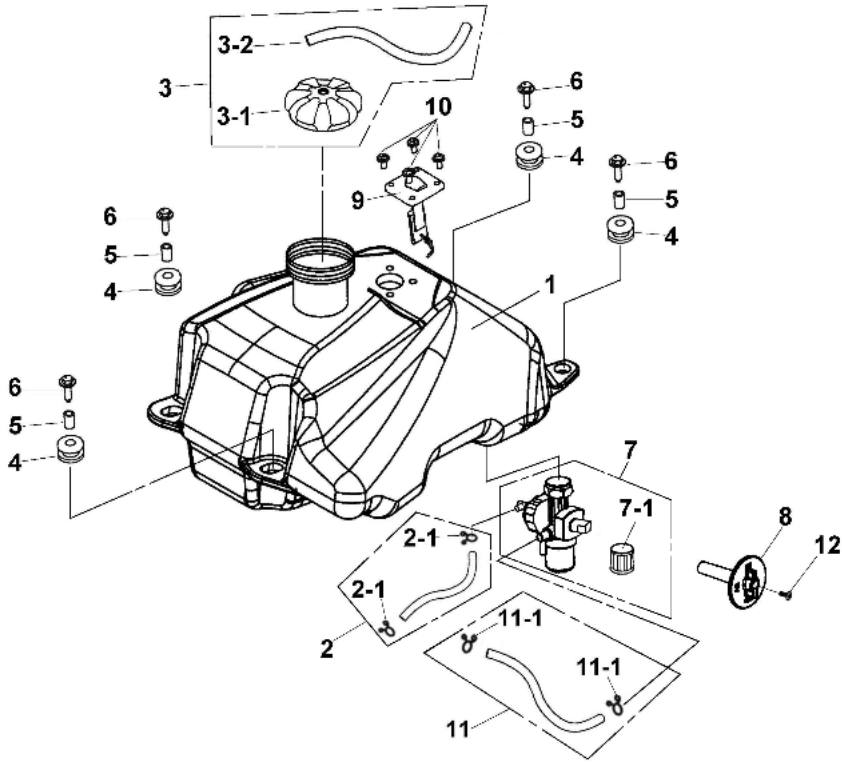


ITEM	PART NO.	NAME	QTY
26		SWING ARM	
26-1	E020A-LRA0-0701	ARM,SUSPENSION,L.U.ASSY(SILVE)	1
26-1-1	E0200-LRA0-0700	ARM,SUSPENSION,L.U.(SILVE)	1
26-1-2	A1203-LRA0-0000	BUSH,ARM SUSPENSION	2
26-1-3	E0230-LRA0-0001	BALL JOINT	1
26-1-4	I4510-30000	CIRCLIP	1
26-2	E021A-LRA0-0701	ARM,SUSPENSION,R.U.ASSY(SILVE)	1
26-2-1	E0210-LRA0-0700	ARM,SUSPENSION,R.U.(SILVE)	1
26-2-2	A1203-LRA0-0000	BUSH,ARM SUSPENSION	2
26-2-3	E0230-LRA0-0001	BALL JOINT	1
26-2-4	I4510-30000	CIRCLIP	1
26-3	E022A-LRA0-0701	ARM,SUSPENSION,LOWER ASSY(SILVE)	2
26-3-1	E0220-LRA0-0701	ARM,SUSPENSION,LOWER (SILVE)	2
26-3-2	A1203-LRA0-0000	BUSH,ARM SUSPENSION	4
26-3-3	E0230-LRA0-0001	BALL JOINT	2
26-3-4	I4510-30000	CIRCLIP	2
26-4	I5701-10060-0A	BOLT FLANGE	8
26-5	I4011-121H0	CASTLE NUT(M12)	4
26-6	I4201-46325	COTTER PIN	4
26-7	D3211-LRA0-0000	CLIP	2
26-8	E2200-LRA0-0000	SWING ARM SUB	1
26-9	I1600-4T30203	BEARING	2

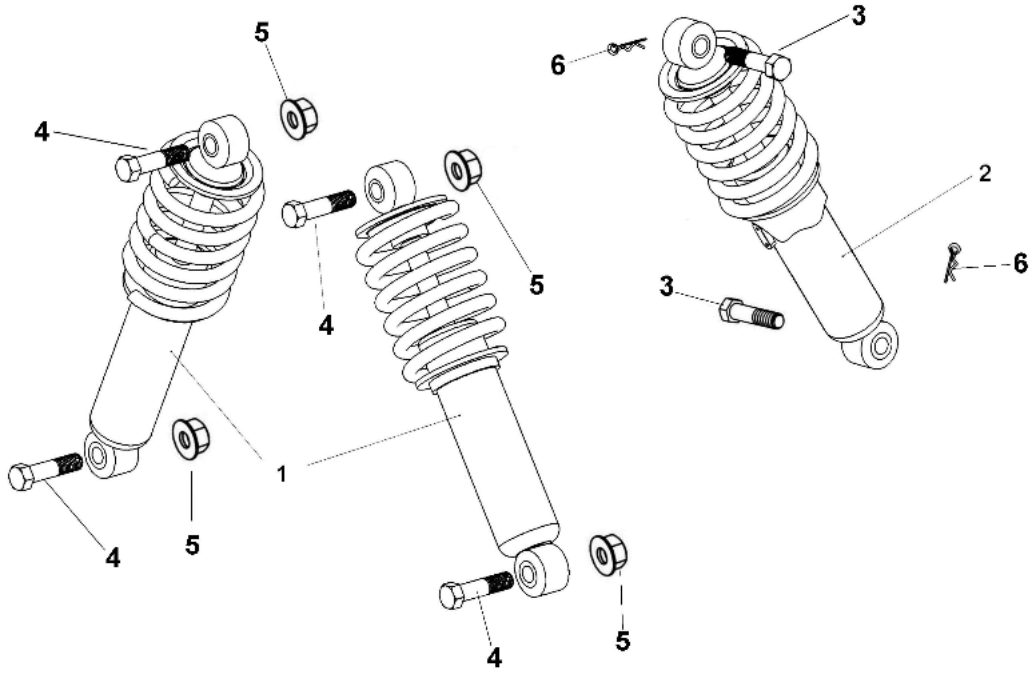
26-10	I1201-LRA0-0000	OIL SEAL40*20*8	2
26-11	E2201-LRA0-0000	SWING RAM RIGHT BOLT	1
26-12	E2203-LRA0-0000	SWING RAM LEFT BOLT	1
26-13	I0231-LRA0-0000	NUT SWING ARM	1
26-14	E2202-LRA0-0000	RUBBER SLEEVE	1
26-15	E2204-LRA0-0000	WASHER	2
26-16	D4611-9EA0-0000	NUT,FLANGE CHECK(M10)	8
26-17	E2205-LRA0-0000	PLUG	2
26-18	I0109-5BA1-0000	BOLT,HEXAGON HEAD	1
26-19	H7106-FIA0-0000	WARNING STICKER , CHAIN	1



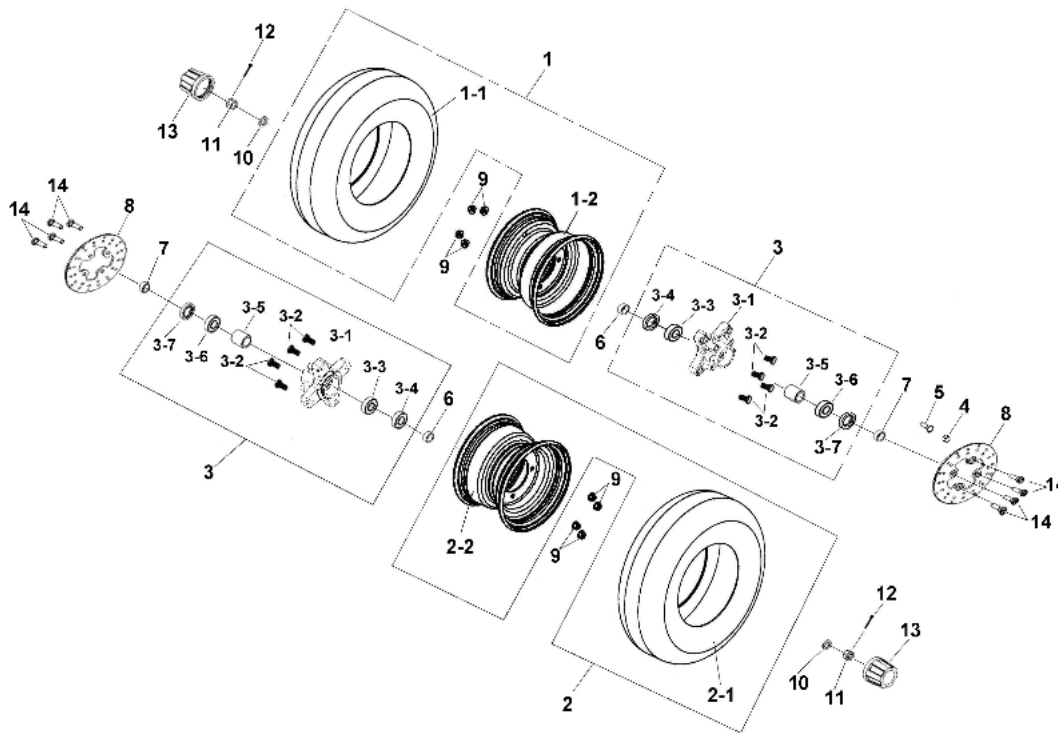
ITEM	PART NO.	NAME	QTY
27		SEAT	
27-1	G7200-LRC0-0000	SEAT ASSY	1
27-1-1	G7201-LRA0-0000	SEAT FASTENER	2
27-2	G7212-5EA0-0000	RUBBER DAMPER(37×13×23)	2



ITEM	PART NO.	NAME	QTY
28		FUEL TANK	
28-1	A7500-LRC0-0000	FUEL TANK COMP	1
28-2	A7514-LRA0-0000	FUEL TUBE	1
28-2-1	A7516-5EA0-0000	CLIP(A)	2
28-3	A762A-LRA0-0000	FUEL TANK CAP ASSY.	1
28-3-1	A7620-LRA0-0000	FUEL TANK CAP	1
28-3-2	A7621-LRA0-0000	BREATHE TUBE	1
28-4	A7510-FIA0-0000	FUEL TANK RUBBER PAD	4
28-5	A7511-FIA0-0000	RUBBER INSULATOR	4
28-6	I0119-06030	BOLT+WASHER	4
28-7	A6701-LRA0-0000	FUEL COCK ASSY	1
28-7-1	A7519-LRA0-0000	FILTER FUEL	1
28-8	A6702-LRA0-0000	FUEL COCK COVER	1
28-9	C780A-LRA0-0000	METER FUEL LEVER	1
28-10	I0200-50160	BOLT,WITH WASHER	4
28-11	A751B-FIA0-0000	VACUUM TUBE COMP	1
28-11-1	A7518-FIA0-0000	CLIP	2
28-11-1	A7518-FIA0-0000	CLIP	2
28-12	I8506-04016	SCREW,PAN HEAD	1

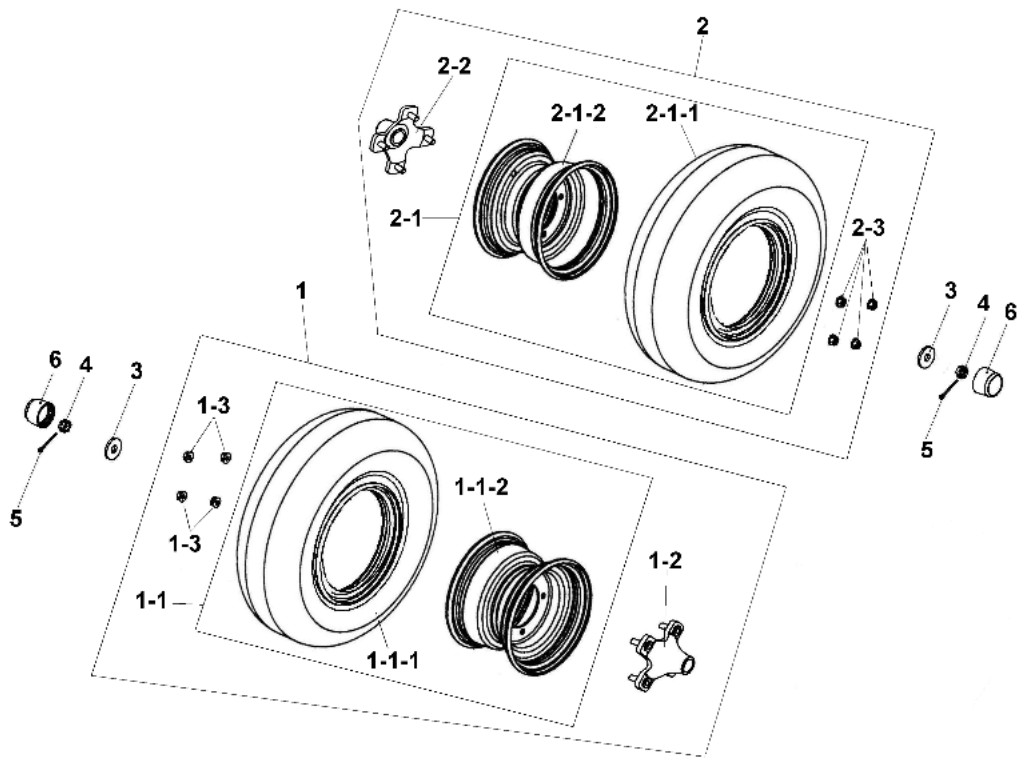


ITEM	PART NO.	NAME	QTY
29		SUSPENSION	
29-1	E1105-LRA0-0000	SUSPENSION, FRONT	2
29-2	E2400-LRA0-0000	SUSPENSION, REAR	1
29-3	I2811-10050-0G	NO:001 BOLT FLANGE	2
29-4	I0102-10048	BOLT,PIN HOLE (M10x48)	4
29-5	D4611-9EA0-0000	NUT,FLANGE CHECK(M10)	4
29-6	I0468-12006	PIN	2



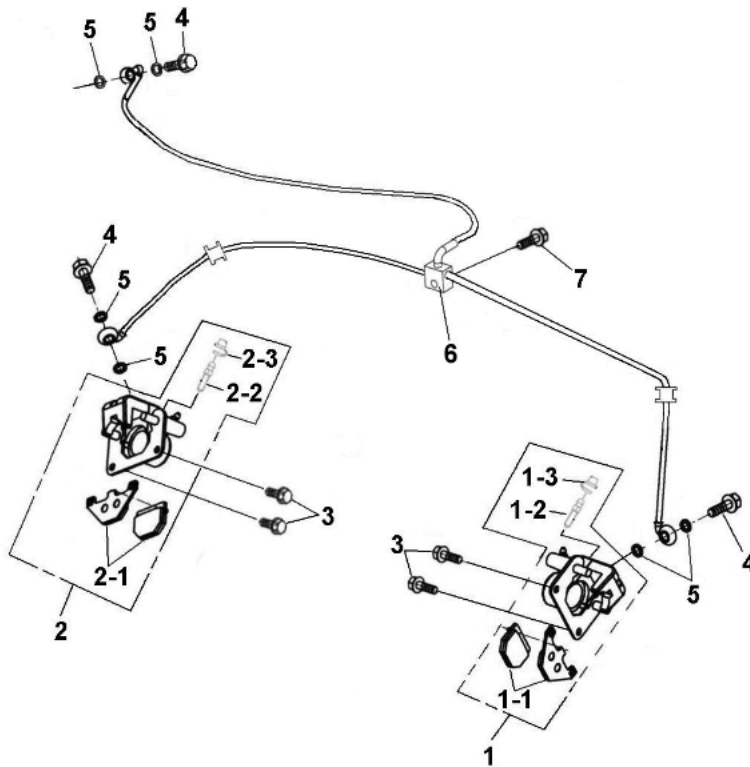
ITEM	PART NO.	NAME	QTY
30		FRONT WHEEL	
30-1	D471A-FIE0-0S00	FRONT WHEEL ASSY.,LEFT(ON ROAD)	1
30-1	D471A-LRF0-00NA	FRONT WHEEL ASSY.,LEFT(ON)(ALUMINUM)	1
30-1	D471A-LRF0-00FA	FRONT WHEEL ASSY.,LEFT(OFF)(ALUMINUM)	1
30-1	D471A-LRC0-0SFS	FRONT WHEEL ASSY.,LEFT(OFF ROAD)	1
30-1-1	D4710-LRA0-0000	WHEEL TIRE ( OFF ROAD)	1
30-1-1	D4710-FIE0-0000	WHEEL TIRE ( ON ROAD )	1
30-1-2	D4601-FIC0-0S00	WHEEL RIM 10*5.5"	1
30-1-2	D4601-FIC0-9700	WHEEL RIM(ALUMINUM)(10"×5.5)	1
30-2	D471B-LRF0-00NA	FRONT WHEEL ASSY.,RIGHT(ON)(ALUMINUM)	1
30-2	D471B-LRF0-00FA	FRONT WHEEL ASSY.,RIGHT(OFF)(ALUMINUM)	1
30-2	D471B-FIE0-0S00	FRONT WHEEL ASSY.,RIGHT(ON)	1
30-2	D471B-LRC0-0SFS	FRONT WHEEL ASSY.,RIGHT(OFF)	1
30-2-1	D4710-FIE0-0000	WHEEL TIRE ( ON ROAD )	1
30-2-1	D4710-LRA0-0000	WHEEL TIRE ( OFF ROAD)	1
30-2-2	D4601-FIC0-0S00	WHEEL RIM 10*5.5"	1
30-2-2	D4601-FIC0-9700	WHEEL RIM(ALUMINUM)(10"×5.5)	1
30-3	D461A-LRA0-0000	WHEEL HUB ASSY	2
30-3-1	D4610-LRA0-0000	WHEEL HUB	2

30-3-2	D4612-GJA0-0000	BOLT	8
30-3-3	I6100-6203LLU	BEARING(6203-LLU)	2
30-3-4	I1307-24040-10	OIL SEAL	2
30-3-5	D4620-LRA0-0000	INNER SPACER	2
30-3-6	I6150-60040-10	BEARING, BALL, RADIAL	2
30-3-7	I1202-LRA0-0000	OIL SEAL	2
30-4	C7205-5PA0-0000	MAGNET	1
30-5	D4613-5PA0-0000	SCREW	1
30-6	D4621-FIA0-0000	OUTER SPACER	2
30-7	D4621-LRA0-0000	OUTER SPACER	2
30-8	D5351-GJA0-0000	BRAKE DISC	2
30-9	D4611-FIC0-0000	NUT	8
30-10	I9905-14200	WASHER	2
30-11	I5500-14100	CASTLE NUT	2
30-12	I4201-46325	COTTER PIN	2
30-13	D4609-9FA0-0000	RUBBER CAP	2
30-14	D5350-FIC0-0000	BOLT,ROUND HEAD	8



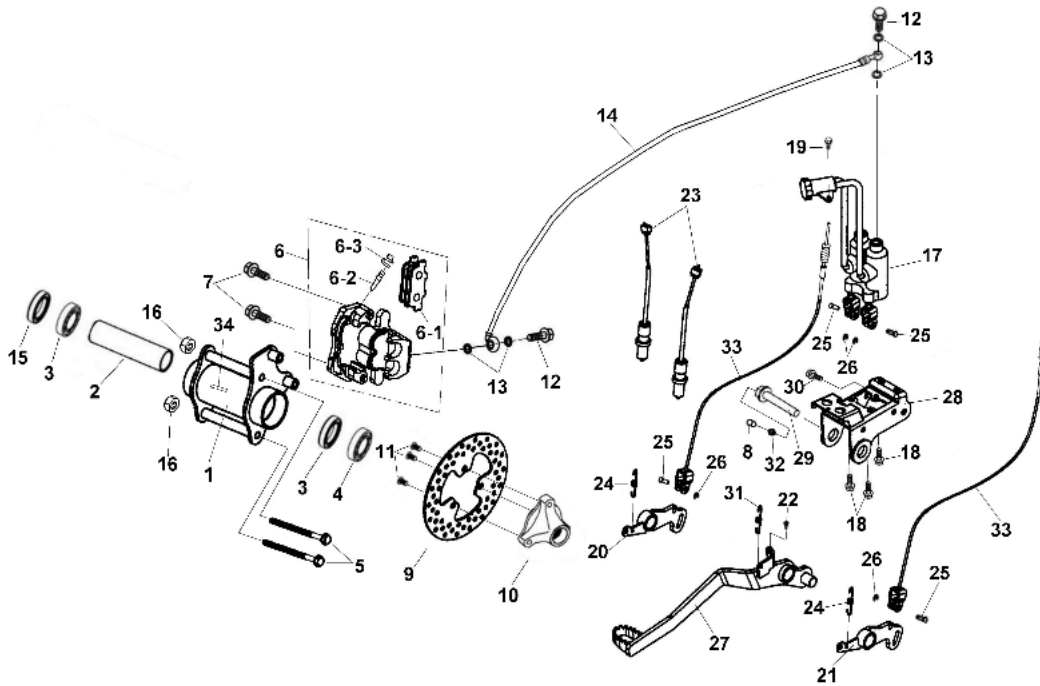
ITEM	PART NO.	NAME	QTY
31		REAR WHEEL	
31-1	D472C-LRC0-0SNS	REAR WHELL ASSY,LEFT(ON ROAD)	1
31-1	D472C-LRF0-00FA	REAR WHELL ASSY,LEFT(ALUMINUM)	1
31-1	D472C-LRC0-0SFS	REAR WHELL ASSY,LEFT(OFF ROAD)	1
31-1-1	D471C-LRC0-0SFS	REAR WHELL COMP,RIGHT(OFF ROAD)	1
31-1-1	D471C-LRC0-0SNS	REAR WHELL COMP,LEFT(ON ROAD)	1
31-1-1	D471C-LRF0-00FA	REAR WHELL COMP,LEFT(ALUMINUM)	1
31-1-1-1	D4720-LRA0-0000	WHEEL TIRE (22x10-10)	1
31-1-1-2	D4602-FIC0-8S00	WHEEL RIM	1
31-1-2	D2705-GJA0-0000	SHAFT CONNECTER WITH BOLTS	1
31-1-3	D4611-FIC0-0000	NUT	4
31-2	D472D-LRC0-0SNS	REAR WHELL ASSY,RIGHT(ON)	1
31-2	D472D-LRF0-00FA	REAR WHELL ASSY.,RIGHT(OFF)(ALUMINUM)	1
31-2	D472D-LRC0-0SFS	REAR WHELL ASSY,RIGHT(OFF)	1
31-2-1	D471D-LRC0-0SFS	REAR WHELL COMP,RIGHT(OFF)	1
31-2-1	D471D-LRC0-0SNS	REAR WHELL COMP,RIGHT(ON)	1
31-2-1	D471D-LRF0-00FA	REAR WHELL COMP,RIGHT(OFF ALUMINUM)	1
31-2-1-1	D4720-LRA0-0000	WHEEL TIRE (22x10-10)	1
31-2-1-2	D4602-FIC0-8S00	WHEEL RIM	1

31-2-2	D2705-GJA0-0000	SHAFT CONNECTER WITH BOLTS	1
31-2-3	D4611-FIC0-0000	NUT	4
31-3	D2309-5EA0-0000	WASHER	2
31-4	I4012-140H0	CASTLE NUT(M14)	2
31-5	I4201-46325	COTTER PIN	2
31-6	D4609-5EA0-0000	RUBBER CAP	2



ITEM	PART NO.	NAME	QTY
32		FRONT BRAKE SYSTEM	
32-1	G7120-FIC0-0001	BRAKE CALLIPER (L)	1
32-1-1	G7131-5EE0-0000	BRAKE SHOE COMP	1
32-1-1	G7131-5EE0-0000	BRAKE SHOE COMP	1
32-1-2	G7132-5EE0-0000	BOLT LEAKAGE	1
32-1-2	G7132-5EE0-0000	BOLT LEAKAGE	1
32-1-3	G7133-BCA0-0000	CAP LEAKAGE	1
32-1-3	G7133-BCA0-0000	CAP LEAKAGE	1
32-1-4	G7139-5EE0-0000	SPRING,PAO	1
32-1-4	G7139-5EE0-0000	SPRING,PAO	1
32-2	G7140-FIC0-0001	BRAKE CALLIPER	1
32-2-1	G7131-5EE0-0000	BRAKE SHOE COMP	1
32-2-1	G7131-5EE0-0000	BRAKE SHOE COMP	1
32-2-2	G7132-5EE0-0000	BOLT LEAKAGE	1
32-2-2	G7132-5EE0-0000	BOLT LEAKAGE	1
32-2-3	G7133-BCA0-0000	CAP LEAKAGE	1
32-2-3	G7133-BCA0-0000	CAP LEAKAGE	1
32-2-4	G7139-5EE0-0000	SPRING,PAO	1
32-2-4	G7139-5EE0-0000	SPRING,PAO	1
32-3	I7507-FIA0-0000	BOLT+WASHER+SPG WASHER	4
32-4	I0401-10034	BOLT FLANGE	3
32-5	I0201-10118	WASHER	6
32-6	G7110-LRC0-0000	FRONT BRAKE OIL TUBE ASSY	1

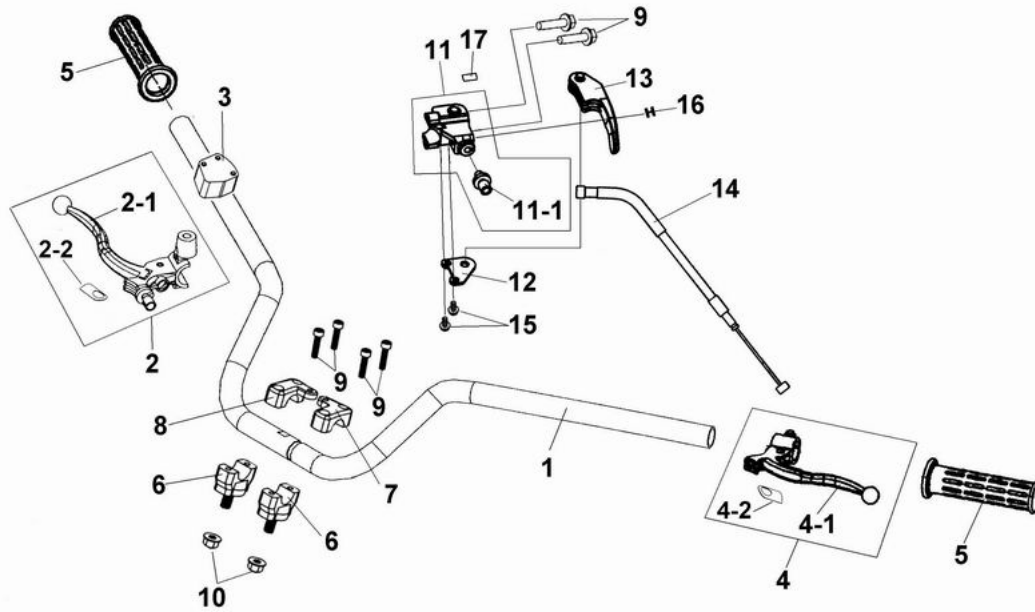
32-7	15821-08020	BOLT,FLANGE	1
------	-------------	-------------	---



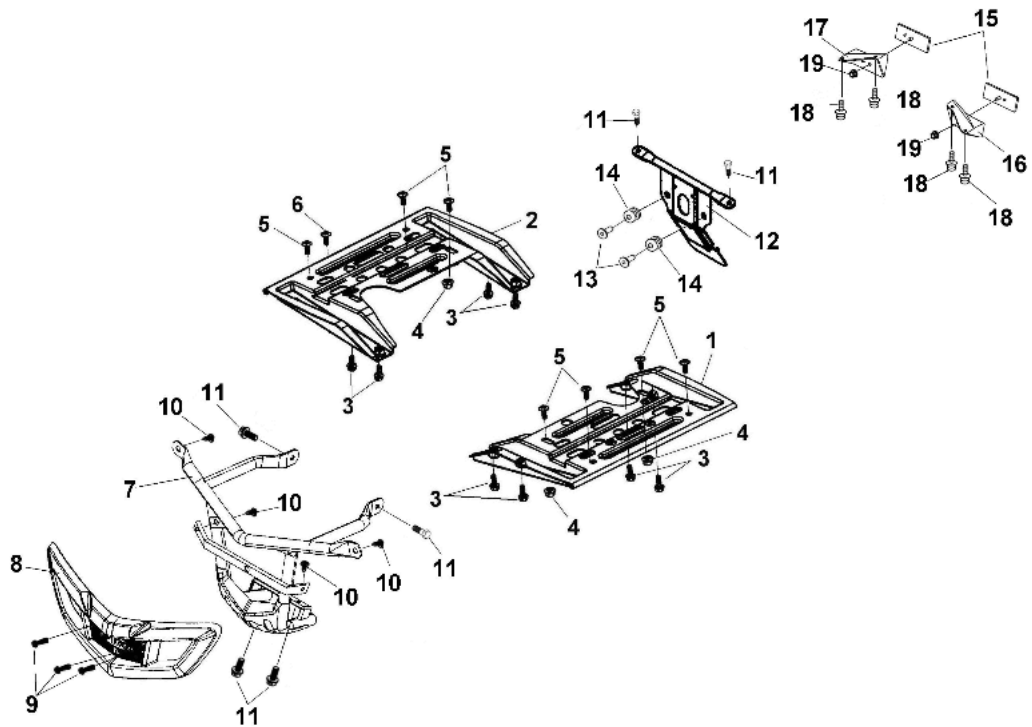
ITEM	PART NO.	NAME	QTY
33		REAR BRAKE SYSTEM	
33-1	D2310-LRA0-0000	BEARING SEAT ASSY., REAR WHEEL AXLE	1
33-2	D2311-FIA0-0000	SPACER	1
33-3	I6100-6007LLU	BEARING(6007LLU)	2
33-4	D2315-FIA0-0000	OIL SEAL	1
33-5	I5701-12165-0C	BOLT, FLANGE (M12x165)	2
33-6	G7130-LRA0-0000	RR. CALIPER ASSY	1
33-6-1	G7131-LRA0-0000	PAD ASSY BRAKE	1
33-6-1	G7131-LRA0-0000	PAD ASSY BRAKE	1
33-6-2	G7132-LRA0-0000	BOLT LEAKAGE	1
33-6-2	G7132-LRA0-0000	BOLT LEAKAGE	1
33-6-3	G7133-LRA0-0000	CAP LEAKAGE	1
33-6-3	G7133-LRA0-0000	CAP LEAKAGE	1
33-6-4	G7139-5EE0-0000	SPRING,PAO	1
33-7	I5701-10035-0C	BOLTFLANGE	2
33-8	E0209-5EA0-9000	CAP, GREASE VALVE	1
33-9	D3520-LRA0-0000	BRAKE DISK	1
33-10	D3251-FIA0-0000	BRAKE DISK MOUNTING SEAT	1
33-11	I0110-10811	BOLT,ROUND HEAD(M10)	3
33-12	I0401-10034	BOLT FLANGE	2
33-13	I0201-10118	WASHER	4
33-14	D3210-LRA0-0000	REAR BRAKE OIL TUBE	1

33-15	D2313-FIA0-0000	OIL SEAL(48x62x7)	1
33-16	I5601-12200	NUTFLANGE CHECK	2
33-17	G7100-LRC0-0000	FOOT MASTER CYLINDER ASSY.	1
33-18	I6705-06012-0C	BOLT, FLANGE (M8x12)	3
33-19	I0149-06016	BOLT,FLANGE (M6x16)	1
33-20	D3410-LRC0-0000	BRAKE MASTER CYLINDER ARM F	1
33-21	D3411-LRC0-0000	BRAKE MASTER CYLINDER ARM R	1
33-22	E7401-BCA0-0000	RUBBER,BUFFER	1
33-23	G7202-GJA0-0000	SWITCH (FLOOR)	2
33-24	E0711-FIC0-9000	SPG,BRAKE LAMP SWITCH	2
33-25	I7510-06016-1B	PIN	4
33-26	I5300-00500-N	CLIP,E TYPE	4
33-27	E0708-LRF0-0001	PEDAL COMP BRAKE	1
33-28	G7180-LRC0-0000	MASTER CYLINDER HOLDER	1
33-29	E0720-LRC0-0000	AXLE FIXED	1
33-30	I6800-08015-0H	SOCKET BOLT	1
33-31	D3419-LRC0-0000	FRONT RETURN SPRING	1
33-32	I6600-06000	GREASE VALVE(1/4")	1
33-33	E5451-LRC0-0000	CABEL,BRAKE	2
33-34	H7118-FIB0-0000	STICKER,WARNING	1

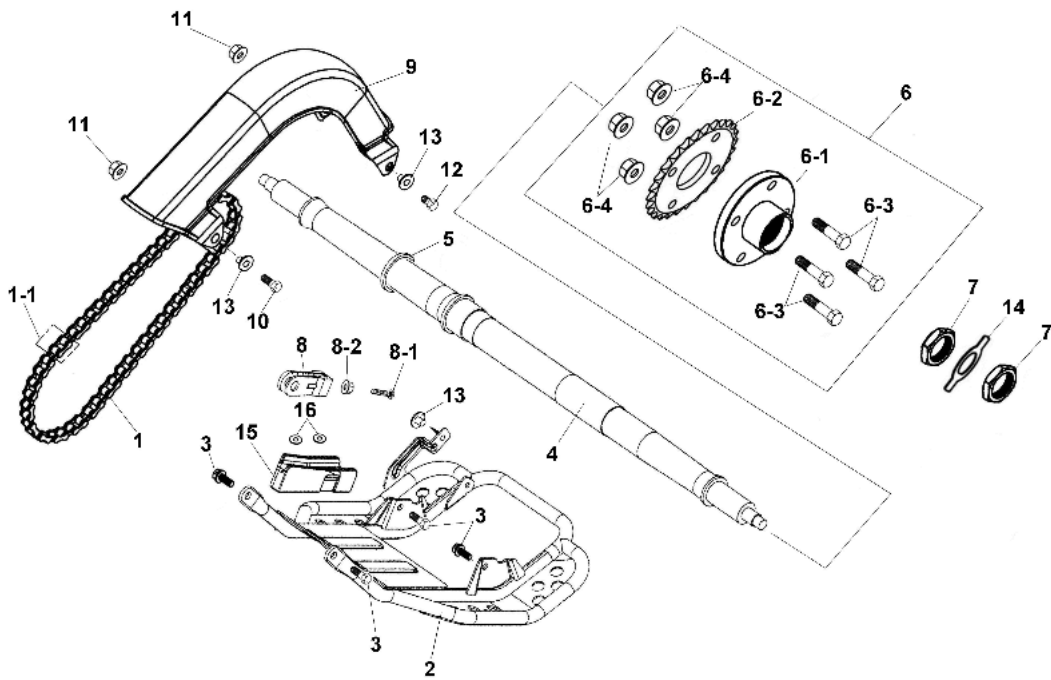
### 34 HANDLE BAR



ITEM	PART NO.	NAME	QTY
34		HANDLE BAR	
34-1	E3100-LRA0-0000	HANDLE BAR ASSY	1
34-2	E3180-LRC0-0000	LEVER ASSY,RIGHT	1
34-2-1	E3181-LRC0-0000	LEVER ,RIGHT	1
34-2-2	E3175-LRC0-0000	LEVER,WASHER WAVE	1
34-3	E3190-GJA0-0000	THROT HOOSING ASSY	1
34-4	E3170-LRC0-0000	LEVER ASSY,LEFT	1
34-4-1	E3171-FIA0-0000	LEVEL,LEFT	1
34-4-2	E3175-LRC0-0000	LEVER,WASHER WAVE	1
34-5	E3166-5EA0-0000	GRIP HANDLE	2
34-6	E3112-5EA0-0000	HANDLE BAR CLAMP, BOTTOM	2
34-7	E3110-5EA0-0000	HANDLE BAR CLAMP, CAP, LEFT	1
34-8	E3111-5EA0-0000	HANDLE BAR CLAMP, CAP, RIGHT	1
34-9	I0050-06025	SOCKET SCREW(M6x25)	6
34-10	I5611-10200	NUT,FLANGE CHECK	2
34-11	D3701-LRA0-0000	PARKING HOLDER	1
34-11-1	E3185-LRA0-0000	ADJUSTER BOLT	1
34-11-1	E3185-LRA0-0000	ADJUSTER BOLT	1
34-12	D3702-LRA0-0000	PARKING PLATE	1
34-13	D3703-LRA0-0000	PARKING LEVER	1
34-14	D3704-LRA0-0000	PARKING CABLE	1
34-15	I8501-06010	SCREW PAN	2
34-16	H475B-5BA1-0000	PAD, LICENSE PLATE	1
34-17	H7140-LRA0-0000	STICKER,PARKING ADJUSTER NOTICE	1

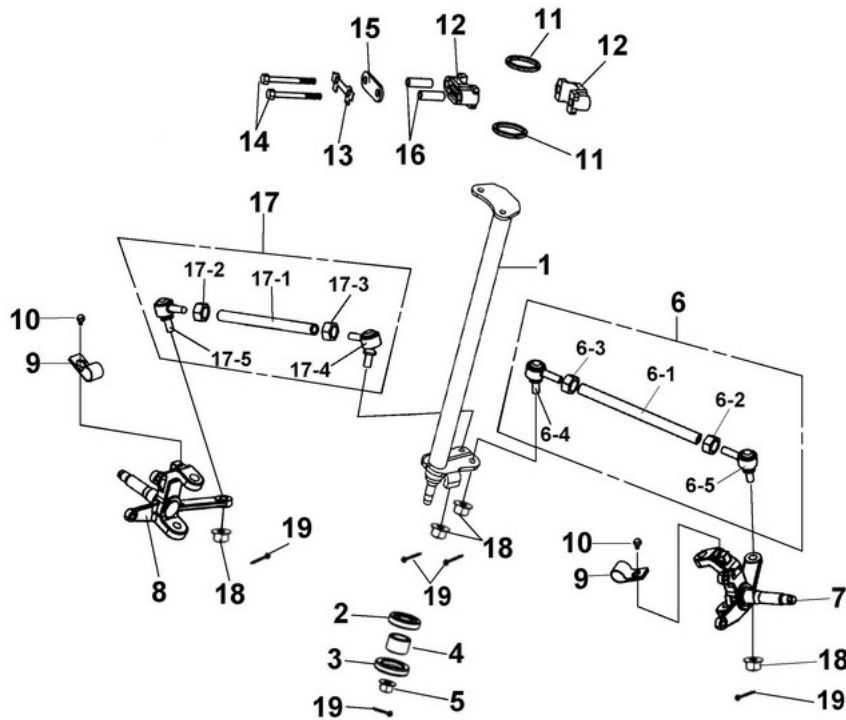


ITEM	PART NO.	NAME	QTY
35		BUMPER, FOOTREST	
35-1	E0700-FIA0-0000	FOOTREST BAR	1
35-2	E0700-FID0-0000	FOOTREST BAR	1
35-3	I7507-FIA0-0000	BOLT+WASHER+SPG WASHER	8
35-4	I5611-06200-0G	NUT,SELF LOCK(M6)	3
35-5	I0149-06823	SCREW	7
35-6	I0119-06802	BOLT+WASHER	1
35-7	E0400-LRC0-0000	BUMPER FRONT	1
35-8	E0430-LRC0-0000	BUMPER FRONT COVER	1
35-9	I8310-06020-01	SCREW(M6x20G)	3
35-10	I0110-40120	SCREW,TAPPING	4
35-11	I0149-08016	SCREW ,FLANGE	6
35-12	H4751-LRC0-0000	PLASTIC PLATE,LICENSE	1
35-13	H1104-BCA0-0000	COLLAR,FLANGED	2
35-14	F0703-BCA0-0000	DAMPER	2
35-15	C3741-5BA0-0000	RETRO REFLECTOR	2
35-16	C3744-LRA0-0000	STAY REFLECTOR LEFT	1
35-17	C3745-LRA0-0000	STAY REFLECTOR RIGHT	1
35-18	I3891-06020-0C	SCREW WASHER	4
35-19	I4050-05055-0A	NUT FLANGE(M5)	2



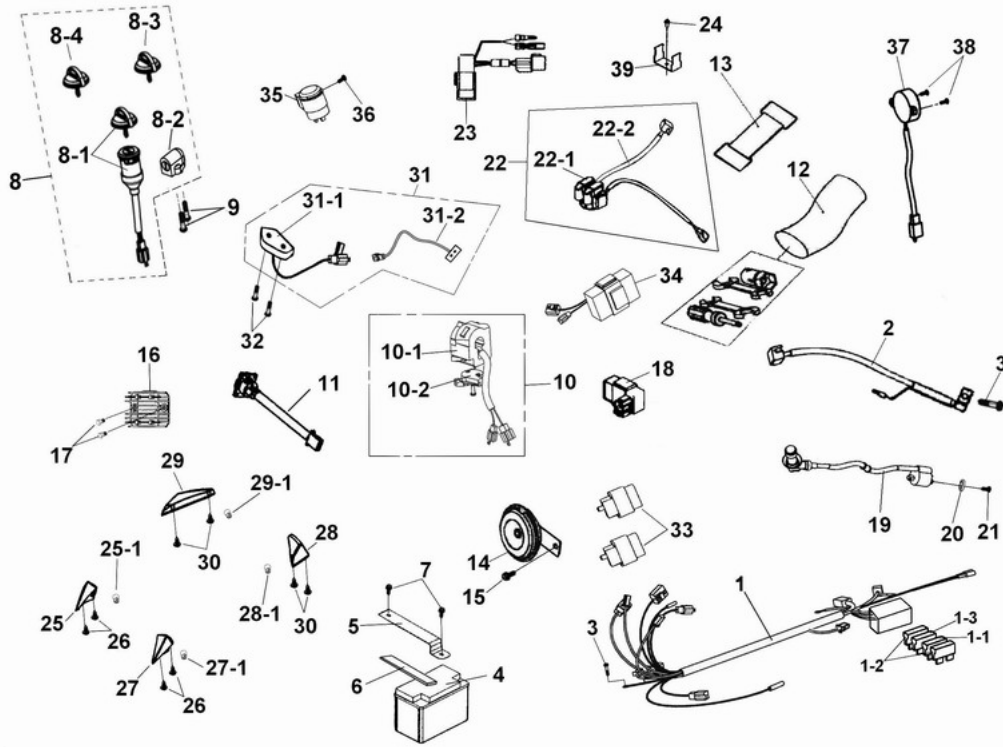
ITEM	PART NO.	NAME	QTY
36		REAR WHEEL AXLE	
36-1	D0100-LRA0-0000	DRIVE CHAIN ASSY(520HX90)	1
36-1-1	D0104-FIC0-0000	MASTERLINK (#520)	1
36-2	D0101-LRA0-0000	PROTECT COVER	1
36-3	I0149-08016	SCREW ,FLANGE	4
36-4	D2301-LRA0-0000	REAR AXLE	1
36-5	D2303-LRA0-0000	AXLE CLIP,REAR	1
36-6	D0110-LRA0-0000	SPROCKET HOLDERREAR ASSY	1
36-6-1	D0111-LRA0-0000	SPROCKET HOLDERREAR (38T)	1
36-6-2	D1111-LRA0-0000	GEAR(520X38T)	1
36-6-3	D2706-9EA0-0000	BOLT	4
36-6-4	I5611-10200	NUT,FLANGE CHECK	4
36-7	D2302-FIA0-0000	NUT REAR WHEEL AXLE(M28x1.5)	2
36-8	D0120-LRA0-0000	ADJUSTERCHAIN	1
36-8-1	I2201-08050-0H	BOLT	1
36-8-2	I5800-08300	NUT,FLANGE CHECK(M8)	1
36-9	D0102-FIA0-0000	DRIVE CHAIN COVER	1
36-10	I5701-06020-0C	BOLT, FLANGE (M6x20)	1
36-11	I5611-06200-0G	NUT,SELF LOCK(M6)	2
36-12	I0149-06012	BOLT,FLANGE	1
36-13	H3503-LRA0-0000	T COLLAR	3
36-14	D2303-GJA0-0000	PLATE FIXED REAR AXLE(USED WITH D2301-GJ)	1

36-15	D0130-LRA0-0000	GUIDE CHAIN	1
36-16	I4104-05501	WASHER	2



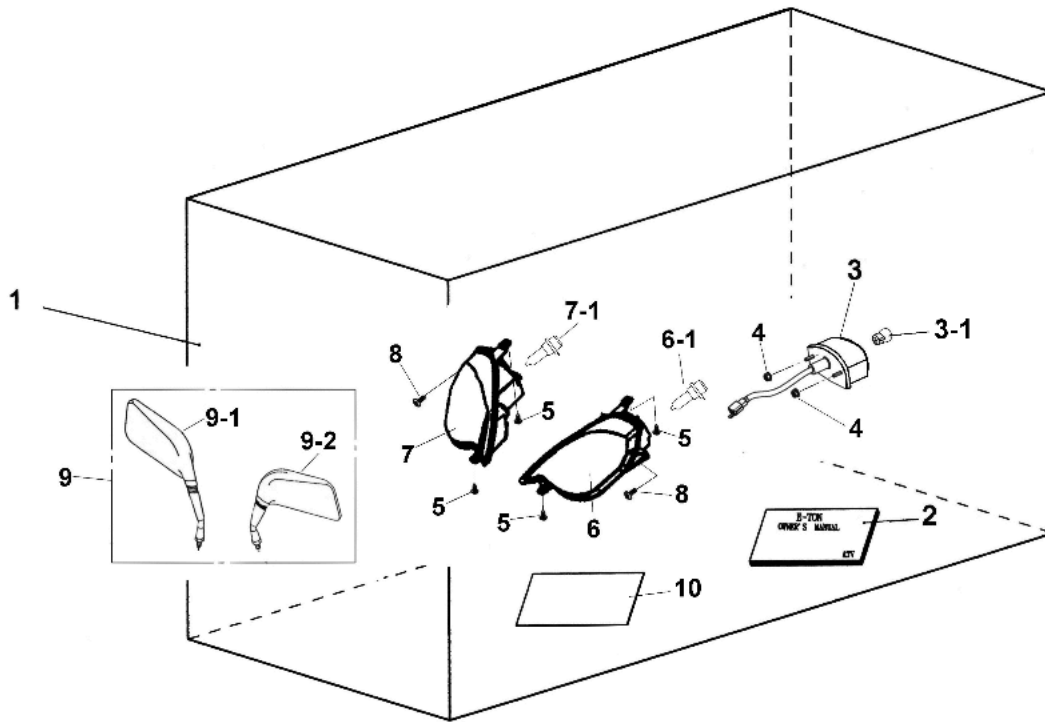
ITEM	PART NO.	NAME	QTY
37		STEERING	
37-1	E3200-LRC0-0000	SHAFT ASSYSTEERING	1
37-2	E3201-5EA0-0000	OIL SEAL(18x32x7)	1
37-3	I3102-5AC0-0000	OIL SEAL(22x35x7)	1
37-4	D4620-5EA0-0000	INNER SPACER(15x21.7x15)	1
37-5	I5611-14200	NUT, FLANGE CHECK (M14)	1
37-6	E0258-LRA0-0000	STEERING TIE-ROD ASSYLEFT	1
37-6-1	E0251-LRA0-0000	BOLTSTUD	1
37-6-2	E0252-5EA0-0000	NUT (R)	1
37-6-3	E0253-5EA0-0000	NUT (L)	1
37-6-4	E0255-LRA0-0000	UNIVERSAL JOINT(L)	1
37-6-5	E0256-LRA0-0000	UNIVERSAL JOINT(R)	1
37-7	E0205-LRA0-0000	KNUCKLELEFT	1
37-8	E0215-LRA0-0000	KNUCKLERIGHT	1
37-9	G7112-BCA0-0000	BRACKET BRAKE HOSE	2
37-10	I0149-06012	BOLT,FLANGE	2
37-11	E3209-FIA0-0000	OIL SEAL(31.8x37.8x4)	2
37-12	E3202-FIA0-0000	HOLDER, STEERING SHAFT	2
37-13	E3203-FIA0-0000	FIX PLATE, STEERING SHAFT	1
37-14	I0020-08060	BOLT	2
37-15	E3210-LRB0-0000	HOLDERSTEERING SHAFT PRESSED PLATED	1
37-16	E3208-FIA0-0000	STEERING , COLLAR	2

37-17	E0259-LRA0-0000	STEERING TIE-ROD ASSYRIGHT	1
37-17-1	E0251-LRA0-0000	BOLTSTUD	1
37-17-2	E0252-5EA0-0000	NUT (R)	1
37-17-3	E0253-5EA0-0000	NUT (L)	1
37-17-4	E0255-LRA0-0000	UNIVERSAL JOINT(L)	1
37-17-5	E0256-LRA0-0000	UNIVERSAL JOINT(R)	1
37-18	D4611-9EA0-0000	NUT,FLANGE CHECK(M10)	4
37-19	I9900-25019	COTTER PIN	5



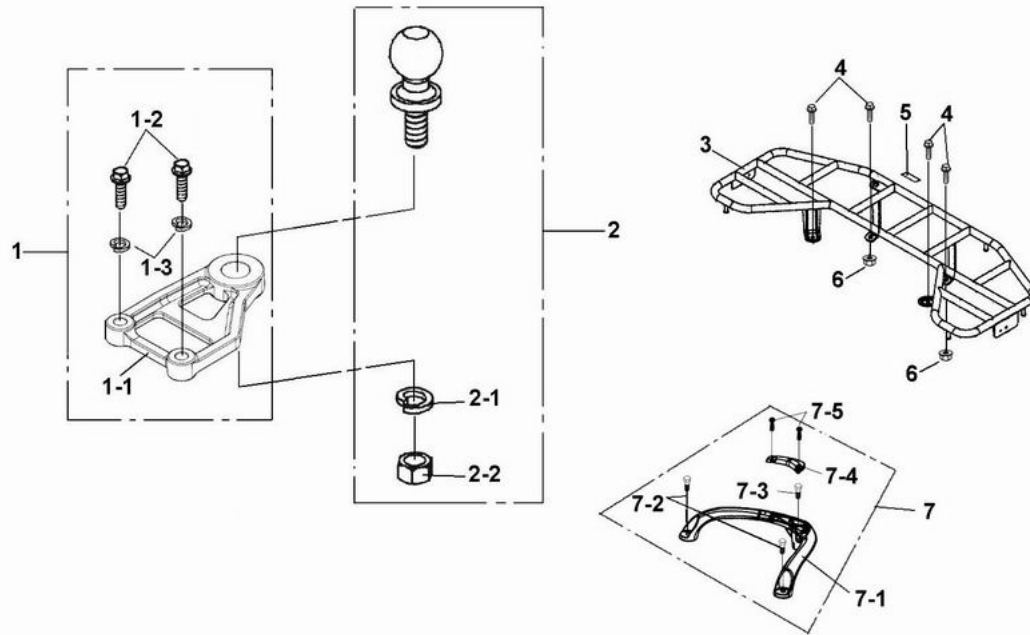
ITEM	PART NO.	NAME	QTY
38		ELECTRICAL EQUIPMENT	
38-1	C2100-LRC0-0000	WIRE HARNESS	1
38-1-1	C2010-GJA0-0000	FUSE(10A)	1
38-1-2	C2011-GJA0-0000	FUSE(15A)	2
38-1-3	C2013-LRA0-0000	FUSE(30A)	1
38-2	C2102-LRA0-0000	EARTH CABLE	1
38-3	I0153-06012	SCREW	1
38-4	C1500-LRA0-0000	BATTERY ASSY. ( 12AH )	1
38-5	C1502-LRA0-0000	BATTERY BAND	1
38-6	A7509-FID0-0000	LH. BACK MIRROR ASSY	1
38-7	I0149-06012	BOLT,FLANGE	2
38-8	C501A-LRC0-0000	MAIN SWITCH ASSY.	1
38-8-1	C5010-LRA0-0000	MAIN SWITCH	1
38-8-2	C5011-FIC0-0000	FAUCET LOCK	1
38-8-3	C5013-9FA0-0000	MATERIAL KEK (RIGHT CUT)	1
38-8-4	C5018-9FA0-0000	MATERIAL KEK (LEFT CUT)	1
38-9	I8501-5BA1-0000	BOLT,BROKENABLE	2
38-10	C5200-LRC0-0000	LEVER HOLDER ASSY., LEFT	1
38-10-1	C5201-LRC0-0000	LEVER HOLDER , LEFT	1
38-10-2	C5202-5EE0-0000	AIR CUT,LEVER	1
38-11	C1802-FIB0-0000	POWER SUPPLY	1
38-12	H9020-FIA0-0000	TOOL PACK	1
38-13	H9021-9FA0-0000	WIRE CLAMP	1
38-14	C8110-GJA0-0000	HORN	1

38-15	I0149-08012	BOLT ,FLANGE (M8x12)	1
38-16	C1600-LRA0-0000	REG. REC. COMP.	1
38-17	I0149-06016	BOLT,FLANGE (M6x16)	2
38-18	C0410-RB1-0000	CDI UNIT ASS'Y	1
38-19	C051A-RB1-0000	IGN COIL ASS'Y	1
38-20	I2140-60001	WASHER	1
38-21	I0020-05024	BOLT(M5x24)	1
38-22	C585A-LRA0-0000	START MAG. SW. SET	1
38-22-1	C5850-LRA0-0000	START RELAY	1
38-22-1	C5850-LRA0-0000	START RELAY	1
38-22-2	C2101-LRA0-0000	POSITIVE CABTE	1
38-22-2	C2101-LRA0-0000	POSITIVE CABTE	1
38-23	C576A-LRA0-0000	SHIFT GEAR CONTROL UNIT ASS'Y	1
38-24	I7701-50016	TAPPING SCREW	1
38-25	C3401-LRC0-0000	TURN LAMP ASSY F.R	1
38-25-1	F1231-LRF0-0000	BULB	1
38-26	I7701-50016	TAPPING SCREW	4
38-27	C3451-LRC0-0000	TURN LAMP ASSY F.L	1
38-27-1	F1231-LRF0-0000	BULB	1
38-28	F1240-LRC0-0000	TURN LAMP ASSY R.L	1
38-28-1	C3402-FIE0-0000	TURN LAMP BULB(10W)	1
38-29	F1230-LRC0-0000	TURN LAMP ASSY R.R	1
38-29-1	C3402-FIE0-0000	TURN LAMP BULB(10W)	1
38-30	I3903-312B0	TRUSS	4
38-31	C7200-LRA0-0000	SPEEDOMETER ASSY	1
38-31	C7200-LRA9-0000	SPEEDOMETER ASSY	1
38-31-1	C7201-LRA0-0000	SPEEDOMETER	1
38-31-2	C7207-FIC0-9000	METER SENSOR	1
38-32	I8506-05010	SCREW PAN	2
38-33	C850A-LRA0-0000	ELEC.RELAY ASSY	2
38-34	C872A-LRA0-0000	HAZARD CONTROL NUIT ASSY	1
38-35	C8301-LRA0-0000	WINKER RELAY COMP	1
38-36	I0149-06012	BOLT,FLANGE	1
38-37	C8400-EMA0-0000	BUZZER	1
38-38	I2600-03012	SCREW,FLUSH(M3x12)	2
38-39	H0109-RB1-0000	MAG.STAY	1



ITEM	PART NO.	NAME	QTY
39		PACKING CASE,EXTERNAL	
39-1	H9500-LRA0-0000	PACKING CASE,EXTERNAL	1
39-2	H9900-LRC0-0000	OWNER'S MANUAL	1
39-3	C5031-LRA0-0000	TAIL LIGHT	1
39-3-1	C5004-5BA1-0000	LAMP	1
39-4	I5611-06200-0G	NUT,SELF LOCK(M6)	2
39-5	I7701-50016	TAPPING SCREW	4
39-6	C5020-LRC0-0000	HEAD LIGHT ASSY.,LEFT	1
39-6-1	C5003-LRA0-0000	BULB	1
39-7	C5030-LRC0-0000	HEAD LIGHT ASSY.,RIGHT	1
39-7-1	C5003-LRA0-0000	BULB	1
39-8	E0117-9EA0-0000	BUTTON HEAD SCREW(M6x18)	2
39-9	H8100-LRC0-0000	BACK MIRROR ASSY	1
39-9-1	H8110-LRC0-0000	REAR VIEW MIRROR ASSY,R	1
39-9-2	H8120-LRC0-0000	REAR VIEW MIRROR ASSY,L	1
39-10	H9905-LRC0-0000	CERTIFICAT OF ORIGIN	1

## 40 ACCESSORIES



ITEM	PART NO.	NAME	QTY
40		ACCESSORIES	
40-1	E041C-LRA0-0000		1
40-1-1	E0418-LRA0-0000	VEHICLE A HOOK	1
40-1-2	I0149-10030	BOLT,FLANGE (M10x30)	2
40-1-3	I4111-10625-1A	SPRING WASHER	2
40-2	E0419-FIB0-9000	VEHICLE A HOOK BALL(49.75)	1
40-2	E0419-FIB0-0000	VEHICLE A HOOK BALL(47.3)	1
40-2-1	I3300-20000-0B	SPRING WASHER	1
40-2-2	I4100-19016	NUT	1
40-3	E0411-LRA0-9000	REAR PACK	1
40-4	I0149-08016	SCREW ,FLANGE	4
40-5	H7113-9FB0-0000	CARRIER COVER,STICKER	1
40-6	I5616-08200	NUTFLANGE CHECK	1
40-7	E041A-LRA0-0000	HANDRAIL ASSY	1
40-7-1	E0410-LRA0-0000	HANDRAIL	1
40-7-2	I0149-08030	BOLT, FLANGE (M8x30)	2
40-7-3	I5821-08020	BOLT,FLANGE	1
40-7-4	E0408-LRA0-0000	HANDRAIL COVER	1
40-7-5	I3903-312B0	TRUSS	2
40-8	M1100-LRA0-0000	LUGGAGE BAGS	1

No picture.

ITEM	PART NO.	NAME	QTY
41		SERVICE KITS,BRAKE CALLIPER	
41-1	G7120-FIC0-0001	BRAKE CALLIPER (L)	1
41-1-1	G7131-5EE0-0000	BRAKE SHOE COMP	1
41-1-1	G7137-5EE0-0000	SERVICE KITS,BRAKE CALLIPER	1
41-1-1-1	G7134-5EE0-0000	RING,SEAL	1
41-1-1-1	G7134-5EE0-0000	RING,SEAL	1
41-1-1-2	G7135-5EE0-0000	RING,DUST RESISTANT	1
41-1-1-2	G7135-5EE0-0000	RING,DUST RESISTANT	1
41-1-1-3	G7136-5EE0-0000	PISTON,BRAKE CALLIPER	1
41-1-1-3	G7136-5EE0-0000	PISTON,BRAKE CALLIPER	1
41-1-2	G7132-5EE0-0000	BOLT LEAKAGE	1
41-1-3	G7133-BCA0-0000	CAP LEAKAGE	1
41-1-4	G7139-5EE0-0000	SPRING,PAO	1
41-2	G7140-FIC0-0001	BRAKE CALLIPER	1
41-2-1	G7131-5EE0-0000	BRAKE SHOE COMP	1
41-2-1	G7137-5EE0-0000	SERVICE KITS,BRAKE CALLIPER	1
41-2-1-1	G7134-5EE0-0000	RING,SEAL	1
41-2-1-1	G7134-5EE0-0000	RING,SEAL	1
41-2-1-2	G7135-5EE0-0000	RING,DUST RESISTANT	1
41-2-1-2	G7135-5EE0-0000	RING,DUST RESISTANT	1
41-2-1-3	G7136-5EE0-0000	PISTON,BRAKE CALLIPER	1
41-2-1-3	G7136-5EE0-0000	PISTON,BRAKE CALLIPER	1
41-2-2	G7132-5EE0-0000	BOLT LEAKAGE	1
41-2-3	G7133-BCA0-0000	CAP LEAKAGE	1
41-2-4	G7139-5EE0-0000	SPRING,PAO	1
41-3	G7130-LRA0-0000	RR. CALIPER ASSY	1
41-3-1	G7131-LRA0-0000	PAD ASSY BRAKE	1
41-3-1	G7137-LRA0-0000	SERVICE KITS,BRAKE CALLIPER	1
41-3-1-1	G7134-LRA0-0000	RING,SEAL	1
41-3-1-1	G7134-LRA0-0000	RING,SEAL	1
41-3-1-2	G7135-LRA0-0000	RING,DUST RESISTANT	1
41-3-1-2	G7135-LRA0-0000	RING,DUST RESISTANT	1
41-3-1-3	G7136-LRA0-0000	PISTON,BRAKE CALLIPER	1
41-3-1-3	G7136-LRA0-0000	PISTON,BRAKE CALLIPER	1
41-3-2	G7132-LRA0-0000	BOLT LEAKAGE	1
41-3-3	G7133-LRA0-0000	CAP LEAKAGE	1
41-3-4	G7139-5EE0-0000	SPRING,PAO	1

No picture.

ITEM	PART NO.	NAME	QTY
42		TOOL	
42-1	A4451-HMA-FT1	TAKING TAPPET PIN TOOL	1
42-2	A4711-HMA-FT1	TAKING & FABRICATING IN. VALVE TOOL	1
42-3	A4721-HMA-FT1	ADJUST TAPPET IMPLEMENT	1
42-4	A9217-H9A-FT1	KNOCKING WATER PUMP OIL SEAL(IRON) IMPLE	1
42-5	B2101-HMA-FT1	ALL-PURPOSE FIXER	1
42-6	I6150-RB1-FT1	TAKING BRG. RB1 TOOL	1
42-7	B3411-RB1-FT1	ASSEMBLING DRIVE SHAFT TOOL	1
42-8	C1110-RB1-FT1	TACKING ACG FLY WHEEL TOOL	1
42-9	E0205-LRA0-FT1	Ball Joint Puller	1
42-10	E1105-LRA0-FT1	Adjustable Hook Spencer	1
42-11	I0202-HMA-FT1	TAKING & LOCKING SPECIAL NUT 36MM SLEEVE	1
42-12	I1001-KJ9-FT1	KNOCKING BRG.(6901) WATER PUMP IMPLEMENT	1
42-13	I1003-RB1-FT1	COUNTER SHIFT IMPLEMENT	1
42-14	I1201-HMA-FT1	SLEEVE OF FABRICATING L CRANK & OIL SEAL	1
42-15	I1202-RB1-FT1	SLEEVE OF FABRICATING TRANSMISSION SHAFT	1
42-16	I1205-KF0-FT1	KNOCKING WATER PUMP OIL SEAL IMPLEMENT (	1
42-17	I6100-6204-FT3	TAKING BRG. 62040 LARGE-SIZE TOOL	1
42-18	I6100-6204-FT2	KNOCKING BRG.(6204) IMPLEMENT	1
42-19	I6100-6305-FT1	TAKING TRANSMISSION SHAFT BRG. 6305 TOOL	1
42-20	I6140-6201-FT1	FABRICATING R CRANK CASE COVER 6201 BRG	1
42-21	I6150-6006-FT1	L CRANK CASE COVER 6006 BRG. FABRICATIN	1
42-22	I6150-6205-FT1	TAKING 6205 BRG. TOOL	1
42-23	I6150-6205-FT2	6205 BRG. KNOCK TOOL	1
42-24	I6150-6205-FT3	PNEUMATIC TAKING BRG. 6205 TOOL	1