

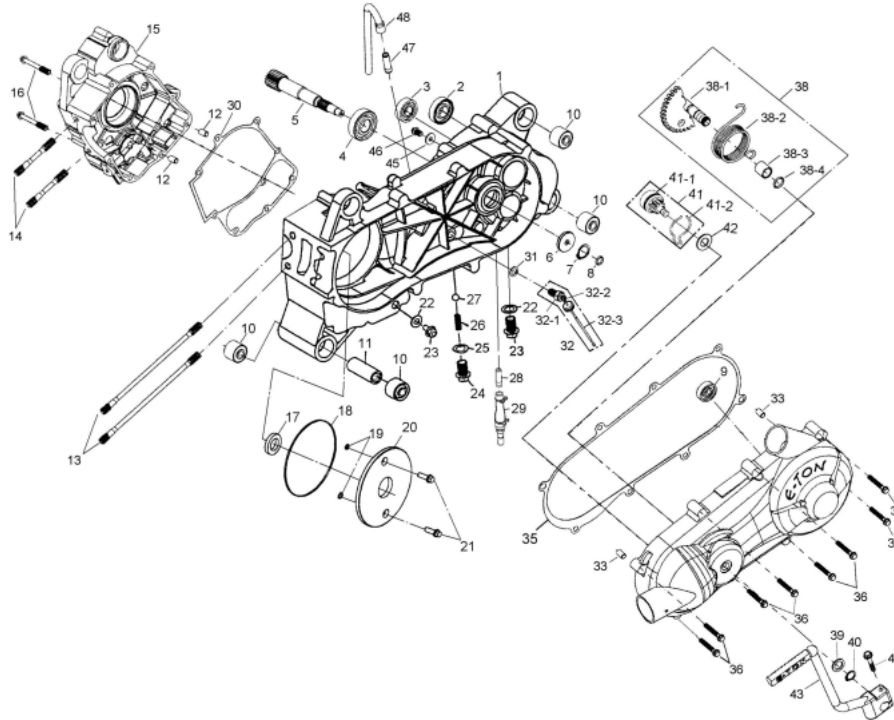
## CXL-150

### PARTS ITEM:

- 01 CRANK CASE, L COVER, SPINDLE ASSY.
- 02 CRANK SHAFT, PISTON, CYLINDER, TENSIONER
- 03 OIL PUMP, STARTING MOTOR
- 04 RIGHT CRANK CASE COVER, GENERATOR
- 05 COVER HEAD, HEAD, CAM SHAFT, VALVE
- 06 FAN COVER, SHROUD
- 07 DRIVEN RULLEY (CVT)
- 08 TRANSMISSION
- 09 GEAR SHAFT LEVER, SAFETY SWITCH
- 10 AIR CLEANER
- 11 CARBURETOR (MANUAL CHOKE WITH THREE THR
- 11 CARBURETOR (MANUAL CHOKE WITHOUT THREE
- 11 CARBURETOR (AUTO-BY/STARTER)
- 12 OIL COOLER
- 13 ENGINE
- 14 MUFFLER
- 15 FRAME
- 16 FENDER
- 17 SWING ARM
- 18 SEAT
- 19 FUEL TANK
- 19 FUEL TANK
- 20 SUSPENSION
- 21 FRONT WHEEL
- 22 REAR WHEEL
- 23 FRONT BRAKE SYSTEM
- 24 REAR BRAKE (HYDRAULIC DISC BRAKE)
- 24 REAR BRAKE (DRUM BRAKE)
- 25 HANDLE BAR (HYDRAULIC DISC BRAKE)
- 25 HANDLE BAR (DRUM BRAKE)
- 26 BUMPER, FOOTREST
- 27 REAR WHEEL AXLE
- 28 STEERING
- 29 ELECTRICAL EQUIPMENT
- 30 PACKING CASE,EXTERNAL(HYDRAULIC DISC BRA
- 30 PACKING CASE,EXTERNAL(DRUM BRAKE)
- 31 ACCESSORIES
- 32 KIT DESCRIPTION
- 33 BUMPER ASSY
- 34 TOOL



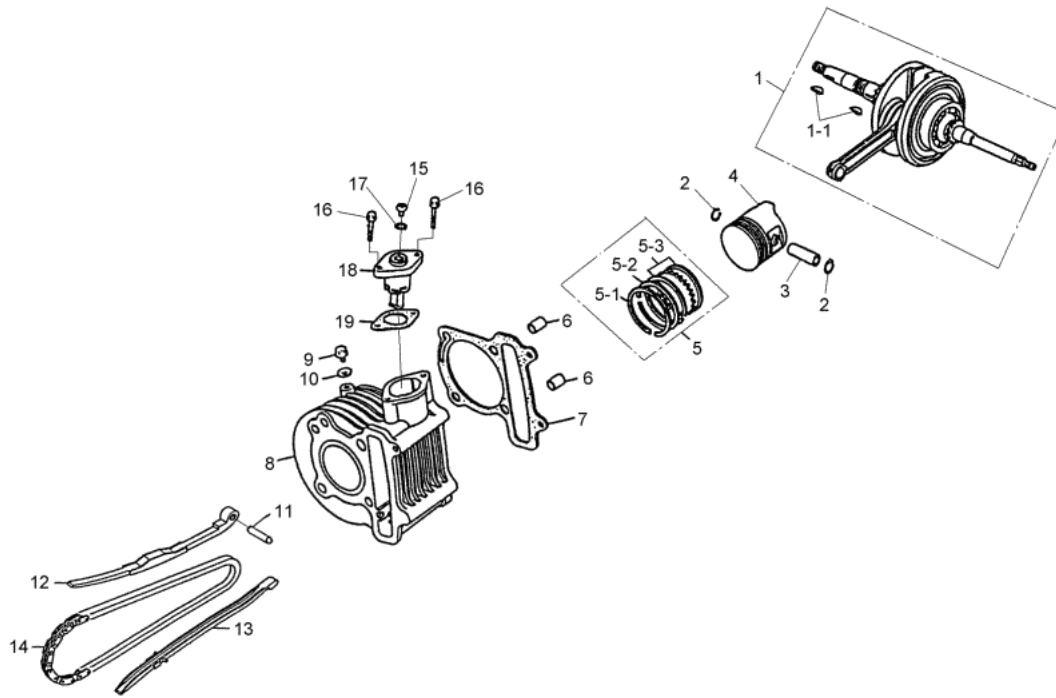
# 1. CRANK CASE, L COVER, SPINDLE ASSY.



ITEM	PART NO.	NAME	QTY
01		CRANK CASE, L COVER, SPINDLE ASSY.	
01-1	A1200-V30-0900	CRANK CASE ASSY LEFT	1
01-2	I6100-62030	BEARING BALL RADIAL (6203)	1
01-3	I6100-62020	BEARING, BALL, RADIAL	1
01-4	I6100-62043	BEARING, BALL, RADIAL	1
01-5	B3411-V30-9000	SHAFT DRIVE (13T)	1
01-6	I1202-A04-0000	OIL SEAL (20x32x6)	1
01-7	I4510-20000	CIRCLIP EX	1
01-8	I4608-09424	O-RING	1
01-9	I6150-62000-10	BEARING, BALL, RADIAL	1
01-10	A1103-V30-0000	RUBBER BUSH ENGINE HANGER	4
01-11	A8255-V30-0000	BOSS (A)	1
01-12	I4301-08140	KNOCK PIN	2
01-13	I0032-08208-0H	STUD BOLT (B)	2
01-14	I0031-08200-0H	STUD BOLT (A)	2
01-15	A1100-V30-0900	CRANK CASE COMP R (OIL COOLER)	1
01-16	I6001-06050-0H	BOLT FLANGE	2
01-17	I1202-A26-9000	OIL SEAL (L)	1
01-18	I4608-10720	O-RING	1
01-19	I4608-06017	O-RING	2
01-20	A1207-A14-0001	PLATE CRANK CASE L	1
01-21	I6001-06020-0H	BOLT FLANGE SH	2

01-22	I4104-12120	WASHER	2
01-23	I2800-12015-0C	DRAIN PLUG BOLT	2
01-24	B4305-V30-0000	SCREW FIXING	1
01-25	I4104-14210	WASHER	1
01-26	B4306-V30-0000	SPRING FIXING	1
01-27	B4307-V30-0000	BALL BEARING	1
01-28	A1206-V30-0000	CONNECTER TUBE BREATHER	1
01-29	A7232-V30-0000	DRAIN TUBE	1
01-30	A1192-A08-0000	GASKET CRANK CASE	1
01-31	I4104-10010	WASHER	1
01-32	C5750-V30-0000	NEUTROL SWITCH COMP	1
01-32-1	C5752-V30-0000	NEUTRAL SWITCH CONNECTER	1
01-32-2	I3500-04006	SCREW, CROSS RECESS HEAD	1
01-32-3	C5751-V30-0000	WIRING COMP	1
01-33	I4301-10140	KNOCK PIN	2
01-34	A1341-V30-0300	COVER L SIDE	1
01-35	A1395-V30-0000	GASKET L COVER	1
01-36	I6001-06040-0C	BOLT, HEXAGON HEAD	7
01-37	I6001-06040-0H	BOLT FLANGE SH	1
01-38	B825A-V30-0000	SPINDLE ASSY. KICK STARTER	1
01-38-1	B8250-A14-0001	SPINDLE COMP KICK STARTER	1
01-38-2	B8281-A14-0000	SPINDLE KICK RETURN	1
01-38-3	B8253-V30-0000	BOSS KICK SPINDLE (B)	1
01-38-4	I4608-13824A	O-RING	1
01-39	I4104-14520A	WASHER	1
01-40	I4510-14000	CIRCLIP EX	1
01-41	B823A-A14-0001	GEAR ASSY .STARTER IDLE	1
01-41-1	B8230-A14-0001	GEAR COMP KICK DRIVEN	1
01-41-2	B8223-A14-0000	SPG KICK DRIVEN GEAR	1
01-42	I4102-10505	WASHER	1
01-43	B8300-V30-9000	ARM COMP KICK STARTER	1
01-44	I5701-06035-0C	BOLT , HEXAGON HEAD	1
01-45	I4104-06515A	WASHER	1
01-46	I6001-06012-0H	BOLT FLANGE	1
01-47	A1106-A00-0000	CONNECTER TUBE BREATHER	1
01-48	A1221-V30-0000	HOSE BREATHER	1

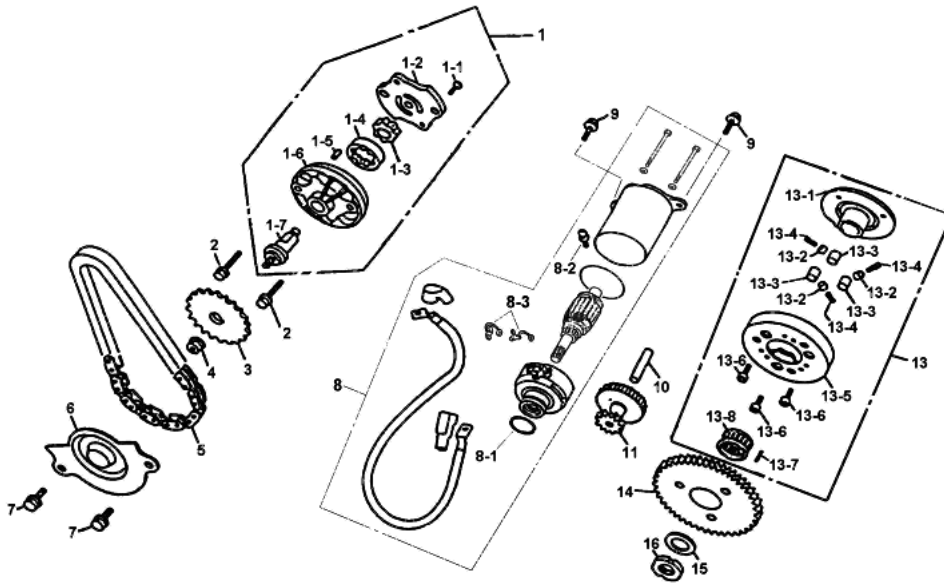
## 2. CRANK SHAFT · PISTON · CYLINDER · TENSIONER



ITEM	PART NO.	NAME	QTY
02		CRANK SHAFT, PISTON, CYLINDER, TENSIONER	
02-1	A3000-V30-0001	CRANK SHAFT COMP	1
02-1-1	I4401-25046	WOODRUFF KEY	2
02-2	I4601-15000	CLIP,PISTON PIN 15mm	2
02-3	A3111-A08-0000	PIN,PISTON	1
02-4	A3101-A08-0000	PISTON	1
02-5	A3011-A08-0000	RING SET,PISTON	1
02-5-1	A3121-A08-0000	RING PISTON TOP	1
02-5-2	A3131-A08-0000	RING PISTON 2ND	1
02-5-3	A3141-A08-0000	RING PISTON OIL	1
02-6	I4301-10140	KNOCK PIN	2
02-7	A2191-A08-0000	GASKET CYLINDER	1
02-8	A2100-A08-0000	CYLINDER COMP	1
02-9	I5801-06012-0C	BOLT FLANGE	1
02-10	I4104-06512	WASHER	1
02-11	I4301-06240	KNOCK PIN	1
02-12	A4510-A04-0000	TENSIONER CAM CHAIN	1
02-13	A4610-A04-0000	GUIDE COMP CAM CHAIN	1
02-14	A4401-A07-0000	CHAIN CAM	1
02-15	I3700-06005	SCREW, OVAL TAP	1
02-16	I6001-06020-0H	BOLT FLANGE SH	2
02-17	I4608-09515	O-RING	1

02-18	A4520-A04-0000	LIFTER ASSY .TENSIONER	1
02-19	A4523-A04-0000	GASKET TENSIONER LIFTER	1

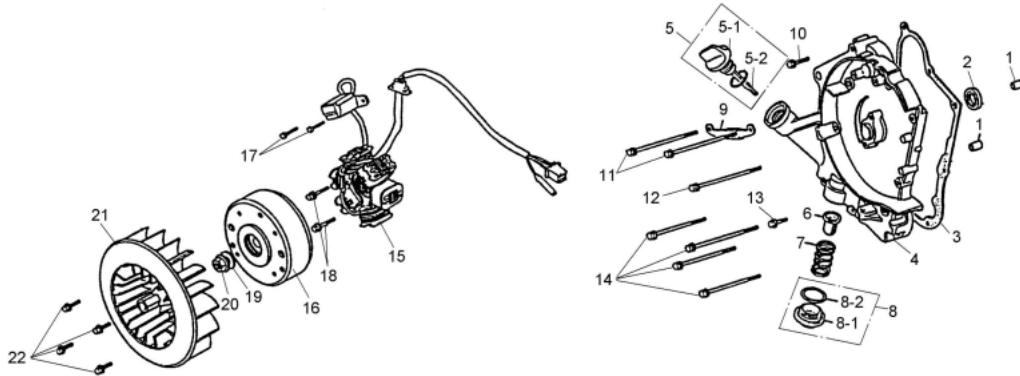
### 3.OIL PUMP · STARTONG MOTOR



ITEM	PART NO.	NAME	QTY
03		OIL PUMP, STARTING MOTOR	
03-1	A5100-A07-0000	PUMP ASSY. OIL	1
03-1-1	I3500-03012-0G	SCREW PAN	1
03-1-1	I3500-03010-0G	SCREW,CROSS RECESS HEAD (3x10)	1
03-1-2	A5116-A04-0000	PLATE OIL PUMP	1
03-1-2	A5116-A04-0000	PLATE OIL PUMP	1
03-1-3	A5331-A07-0000	ROTOR OIL PUMP INNER	1
03-1-3	A5331-A07-0000	ROTOR OIL PUMP INNER	1
03-1-4	A5332-A07-0000	ROTOR OIL PUMP OUTER	1
03-1-4	A5332-A07-0000	ROTOR OIL PUMP OUTER	1
03-1-5	I4303-04065	KNOCK PIN	1
03-1-5	I4303-04065	KNOCK PIN	1
03-1-6	A5101-A07-0000	BODY OIL PUMP	1
03-1-6	A5101-A07-0000	BODY OIL PUMP	1
03-1-7	A5132-A04-0000	SHAFT OIL PUMP	1
03-1-7	A5132-A04-0000	SHAFT OIL PUMP	1
03-2	I3600-06030-0H	SCREW ,CROSS RECESS HEAD	2
03-3	A5133-A04-0000	SPROCKET OIL PUMP DRIVEN	1
03-4	I4050-0600G	NUT 6mm	1
03-5	A5141-A04-0000	CHAIN OIL PUMP	1
03-6	A5711-A04-0000	SEPARATOR OIL	1
03-7	I6001-06012-0H	BOLT FLANGE	2

03-8	C1200-V30-0000	MOTOR START COMP	1
03-8-1	I1309-24031	O-RING (24.4x3.1)	1
03-8-1	I1309-24031	O-RING (24.4x3.1)	1
03-8-2	I3892-04006-08	SCREW WASH (4x6)	2
03-8-2	I3892-04006-08	SCREW WASH (4x6)	2
03-8-3	C1221-A04-0000	CARBON BRUSH	2
03-8-3	C1221-A04-0000	CARBON BRUSH	2
03-9	I6001-06016-0C	BOLT , HEXAGON HEAD	2
03-10	B8102-A04-0000	SHAFT STARTER REDUCTION GEAR	1
03-11	B8101-A04-0000	GEAR STARTER REDUCTION	1
03-13	B812A-A04-0000	OUTER ASSY .STARTING CLUTCH	1
03-13-1	B8125-A04-0000	FLANGE STARTING CLUTCH	1
03-13-1	B8125-A04-0000	FLANGE STARTING CLUTCH	1
03-13-2	B8126-A04-0000	CAP SPRING ROLLER SP	3
03-13-2	B8124-A04-0000	CAP STARTING CLUTCH ROLLER SPRING	3
03-13-3	I6220-A0100	ROLLER	3
03-13-3	I6220-A0100	ROLLER	3
03-13-4	B8127-A04-0000	SPRING STARTING CLUTCH ROLLER	3
03-13-4	B8127-A04-0000	SPRING STARTING CLUTCH ROLLER	3
03-13-5	B8120-A04-0000	OUTER COMP STARTING CLUTCH	1
03-13-5	B8120-A04-0000	OUTER COMP STARTING CLUTCH	1
03-13-6	I6600-06010-0A	SOCKET BOLT	3
03-13-6	I0001-06012	BOLT, SOCKET PAN 6x12	3
03-13-7	I4303-05060	KNOCK PIN	1
03-13-7	I4303-05060	KNOCK PIN	1
03-13-8	I1110-2832168	BEARING, NEEDLE	1
03-13-8	I1110-2832168	BEARING, NEEDLE	1
03-14	B8110-A04-0000	GEAR COMP STARTING CLUTCH	1
03-15	I4104-22225	WASHER	1
03-16	I0231-A04-0000	NUT LOCK	1

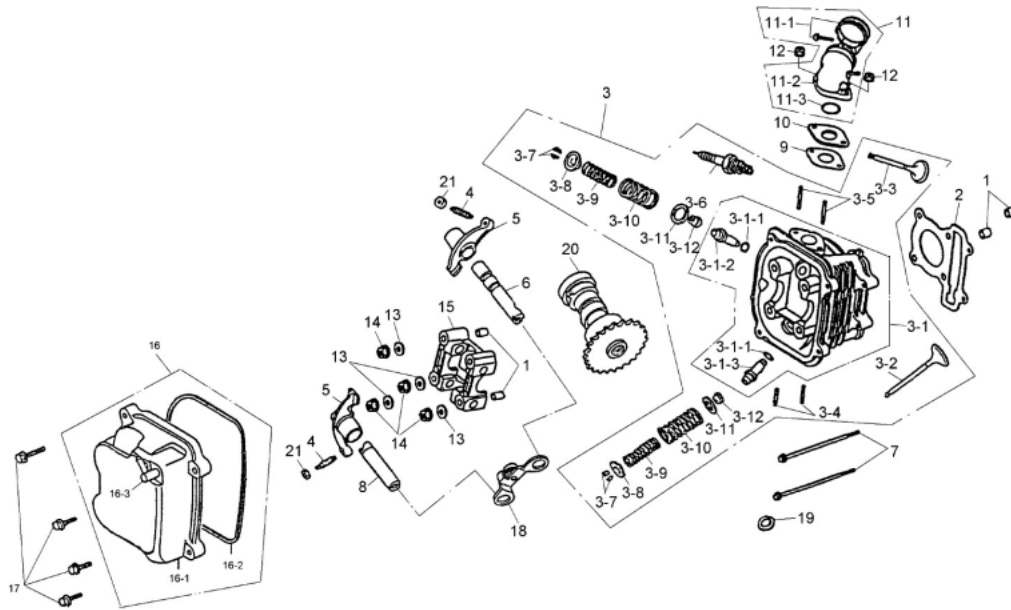
#### 4. RIGHT CRAANK CASE COVER, GENERATOR



ITEM	PART NO.	NAME	QTY
04		RIGHT CRAANK CASE COVER, GENERATOR	
04-1	I4301-08140	KNOCK PIN	2
04-2	I1201-A26-9000	OIL SEAL (R)	1
04-3	A1394-A04-0000	GASKET R CRANK CASE COVER	1
04-4	A1331-V30-0900	COVER R CRANK CASE	1
04-5	A5650-A04-0000	GAUGE COMP OIL LEVEL	1
04-5-1	A5651-A04-0000	GAUGE OIL LEVEL	1
04-5-2	I4608-12625	O-RING (18x3.5)	1
04-6	A5421-A00-0000	SCREEN,OIL FILTER	1
04-7	A5426-A04-0000	SPG OIL FILTER SCREEN	1
04-8	A2360-A04-0001	HOLE CAP TAPPET COMP	1
04-8-1	A2361-A04-0000	HOLE CAP TAP ADJUSTING	1
04-8-2	I4608-30832	O-RING	1
04-9	C2961-A04-0000	CLAMPER A.C.G GENERATOR	1
04-10	I6001-06040-0C	BOLT, HEXAGON HEAD	1
04-11	I6001-06110-0C	BOLT , HEXAGON HEAD	2
04-12	I6001-06100-0H	BOLT FLANGE SH	1
04-13	I6001-06032-0H	BOLT , HEXAGON HEAD	1
04-14	I6001-06095-0C	BOLT , HEXAGON HEAD	4
04-15	C1120-V30-0000	STARTOR COMP (CDI)	1
04-15	C1120-V30-9000	STARTOR COMP(CDI)	1
04-16	C1110-A04-0000	FLYWHEEL COMP	1

04-16	C1110-V30-0000	FLYWHEEL COMP	1
04-17	I3412-05014-0H	BOLT WASHER	2
04-18	I6001-06020-0H	BOLT FLANGE SH	2
04-19	I4104-12522	WASHER	1
04-20	I4050-12110-0H	NUT FLANGE	1
04-21	A9510-A04-0000	FAN COMP COOLING	1
04-22	I6001-06018-0H	BOLT , HEXAGON HEAD	4

## 5. HEAD COVER、HEAD、CAM SHAFT、VALVE

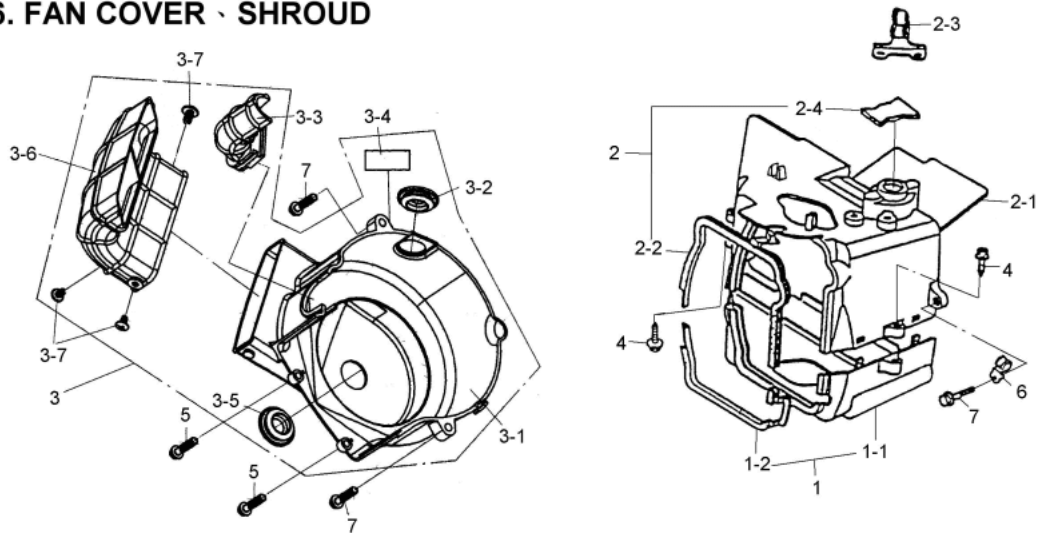


ITEM	PART NO.	NAME	QTY
05		COVER HEAD, HEAD, CAM SHAFT, VALVE	
05-1	I4301-10140	KNOCK PIN	4
05-2	A2251-A08-0000	GASKET CYLINDER HEAD	1
05-3	A220A-A08-0001	HEAD CYLINDER ASS'Y	1
05-3-1	A2200-A08-0001	HEAD COMP CYLINDER	1
05-3-1	A2200-A08-0001	HEAD COMP CYLINDER	1
05-3-1-1	I4608-09016	O-RING	2
05-3-1-1	I4608-09016	O-RING	2
05-3-1-1	I4608-09016	O-RING	2
05-3-1-2	A2237-A04-0000	GUIDE IN VALVE	1
05-3-1-2	A2237-A04-0000	GUIDE IN VALVE	1
05-3-1-2	A2237-A04-0000	GUIDE IN VALVE	1
05-3-1-3	A2245-A04-0000	GUIDE EX VALVE	1
05-3-1-3	A2245-A04-0000	GUIDE EX VALVE	1
05-3-1-3	A2245-A04-0000	GUIDE EX VALVE	1
05-3-2	A4721-A08-0000	VALVE EXHAUST	1
05-3-2	A4721-A08-0000	VALVE EXHAUST	1
05-3-3	A4711-A08-0000	VALVE INLET	1
05-3-3	A4711-A08-0000	VALVE INLET	1
05-3-4	I2900-06016-0A	STUD BOLT	2
05-3-4	I2900-06016-0A	STUD BOLT	2
05-3-5	I2900-06050-0A	STUD BOLT	2

05-3-5	I2900-06050-0A	STUD BOLT	2
05-3-6	I8000-V30-0000	SPARK PLUG	1
05-3-6	I8000-A04-0000	SPARK PLUG (C7HSA)	1
05-3-7	A4781-A04-0000	COTTER, VALVE	4
05-3-7	A4781-A04-0000	COTTER, VALVE	4
05-3-8	A4771-A04-0000	RETAINER VALVE SPG	2
05-3-8	A4771-A04-0000	RETAINER VALVE SPG	2
05-3-9	A4761-A07-0000	SPG VALVE INNER	2
05-3-9	A4761-A07-0000	SPG VALVE INNER	2
05-3-10	A4751-A07-0000	SPG VALVE OUTER	2
05-3-10	A4751-A07-0000	SPG VALVE OUTER	2
05-3-11	I4104-16508	WASHER	2
05-3-11	I4104-16508	WASHER	2
05-3-12	A2209-A04-0000	SEAL VALVE STEM	2
05-3-12	A2209-A04-0000	SEAL VALVE STEM	2
05-4	I0012-A04-0000	SCREW, TAPPET ADJUSTING	2
05-5	A4431-A07-0001	ARM VALVE ROCKER	2
05-6	A4450-A04-0000	SHAFT COMP IN ROCKET ARM	1
05-7	I6001-06100-0H	BOLT FLANGE SH	2
05-8	A4452-A04-0000	SHAFT EX ROCKET ARM	1
05-9	A6201-A04-0000	GASKET CARB INSULATOR	1
05-10	A6211-A04-0000	INSULATOR CARB	1
05-11	A711A-V30-0000	PIPE ASSY INLET	1
05-11-1	A7256-V30-0000	AIR CLEANER CONNECTING TUBE	1
05-11-1	A7256-V30-0000	AIR CLEANER CONNECTING TUBE	1
05-11-2	A7110-A07-9000	PIPE COMP INLET	1
05-11-2	A7110-A07-9000	PIPE COMP INLET	1
05-11-3	I4608-27020	O-RING	1
05-11-3	I4608-27020	O-RING	1
05-12	I4050-0600G	NUT 6mm	2
05-13	I4101-08523	WASHER	4
05-14	I4050-08075-0H	NUT HEXAGON HEAD	4
05-15	A2211-A04-0000	HOLDER CAM SHAFT	1
05-16	A230A-A04-0000	COVER ASSY HEAD CYLINDER	1
05-16-1	A2301-A04-0001	COVER HEAD CYLINDER	1
05-16-1	A2301-A04-0001	COVER HEAD CYLINDER	1
05-16-2	A2391-A04-0000	GASKET COVER HEAD CYLINDER	1
05-16-2	A2391-A04-0000	GASKET COVER HEAD CYLINDER	1
05-16-3	A2305-A04-0000	JOINT COMP BREATHER	1
05-16-3	A2305-A04-0000	JOINT COMP BREATHER	1
05-17	I6001-06025-0C	BOLT FLANGE SH	4
05-18	A4150-A04-0000	PLATE COMP STOPPER	1
05-19	A8291-A04-0000	GASKET EXHAUST PIPE	1

05-20	A4100-A07-0001	SHAFT COMP CAM	1
05-21	I4001-050K0	NUT HEX	2

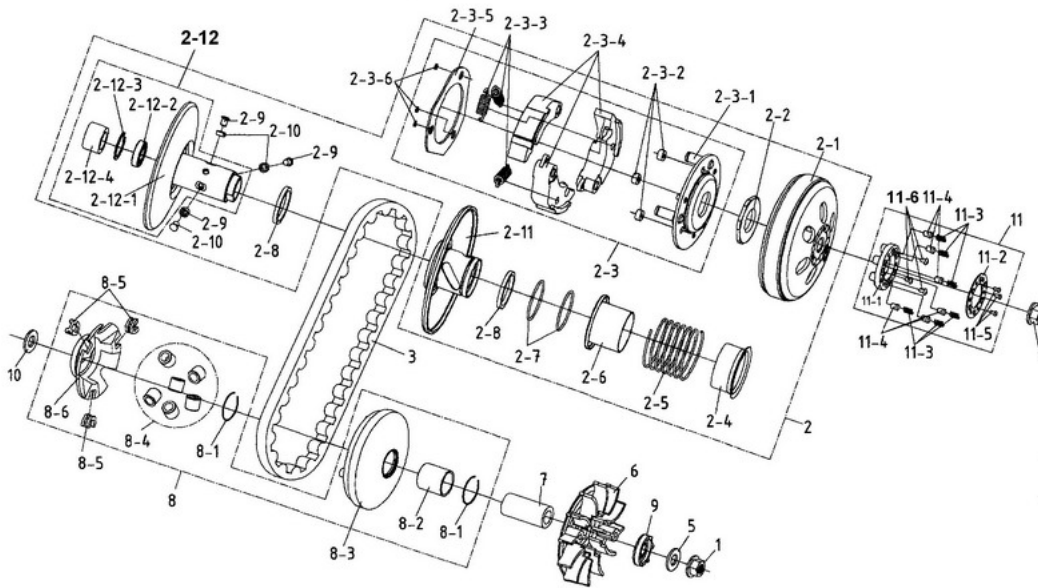
## 6. FAN COVER · SHROUD



ITEM	PART NO.	NAME	QTY
06		FAN COVER, SHROUD	
06-1	A9620-A07-0001	SHROUD COMP A	1
06-1-1	A9621-V30-0000	SHROUD A	1
06-1-1	A9621-V30-0000	SHROUD A	1
06-1-2	A9637-V30-0000	CLIP SPRING	1
06-1-2	A9625-A04-0000	SEAL SHROUD A	1
06-1-3	A9625-A04-0000	SEAL SHROUD A	1
06-2	A963A-V30-0001	SHROUD B ASSY	1
06-2-1	A9630-V30-0000	SHROUD B COMP	1
06-2-1	A9630-V30-0000	SHROUD B COMP	1
06-2-2	A9636-V30-0000	CLAMPER CABLE	1
06-2-2	A9635-A04-0000	SEAL SHROUD B	1
06-2-3	A9637-V30-0000	CLIP SPRING	1
06-2-3	A1384-V30-0000	CLAMPER BREATHER TUBE	1
06-2-4	A9633-A04-0000	GROMMET SHROUD(B)	1
06-2-4	A9633-A04-0000	GROMMET SHROUD(B)	1
06-2-5	A9635-A04-0000	SEAL SHROUD B	1
06-3	A961A-V30-0000	FAN COVER ASSY	1
06-3-1	A9610-V30-0000	COVER COMP FAN	1
06-3-2	G0529-A04-0000	GROMMET SHROUD	1
06-3-3	A9615-A04-0000	DUCT CARBURETOR COOLING	1
06-3-4	H7541-V30-0000	LABEL OIL CAP	1
06-3-5	G0529-V30-0000	GROMMET SHROUD	1

06-3-6	A9616-V30-0000	DUCT INLET	1
06-3-7	I3902-304B0	SELF-TAPPING SCREW	3
06-4	I3904-316B0	BOLT, HEXAGON HEAD TAPPING	2
06-5	I3500-05025-0G	SCREW PAN	2
06-6	A1385-V30-0000	CLAMPER CARB DRAIN TUBE	1
06-7	I6001-06025-0C	BOLT FLANGE SH	3

## 7.DRIVEN PULLEY (CVT)

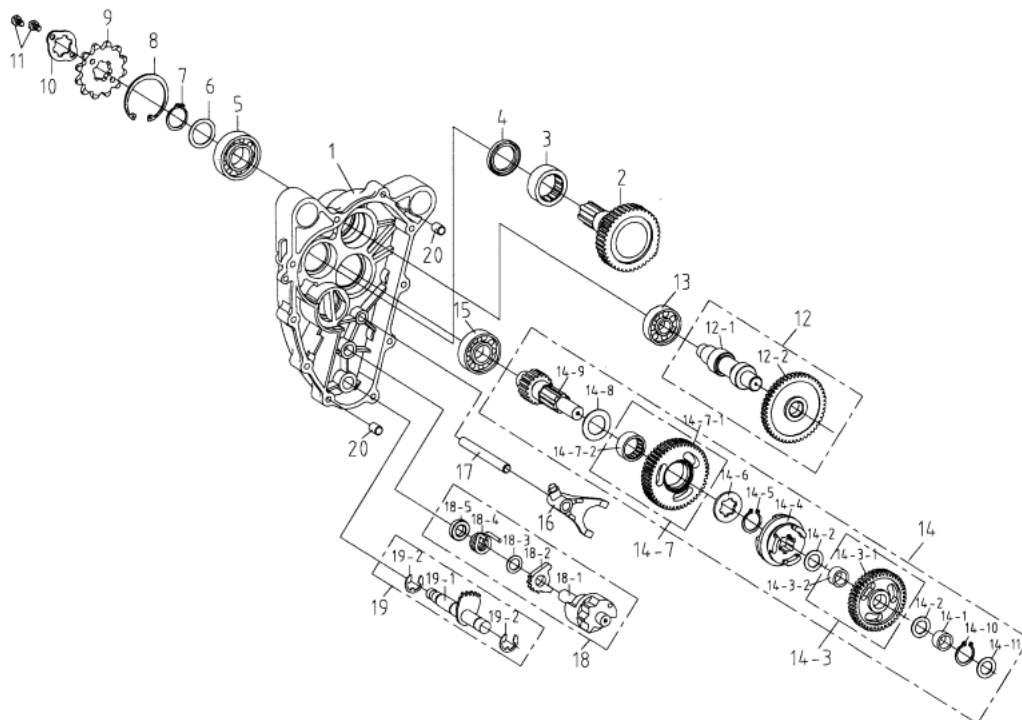


ITEM	PART NO.	NAME	QTY
07		DRIVEN PULLEY (CVT)	
07-1	I4050-12110-0H	NUT FLANGE	2
07-2	B301A-V30-0000	PULLEY ASSY DRIVEN	1
07-2	B301A-V30-9000	PULLEY ASSY DRIVEN	1
07-2-1	B2101-A04-9000	OUTER CLUTCH	1
07-2-1	B2101-A04-0000	OUTER CLUTCH	1
07-2-1	B2101-A04-9000	OUTER CLUTCH	1
07-2-2	I0202-A04-9000	NUT SPECIAL 28 mm	1
07-2-2	I0202-A04-0000	NUT SPECIAL 28 mm	1
07-2-2	I0202-A04-9000	NUT SPECIAL 28 mm	1
07-2-3	B2300-V30-0000	PLATE COMP DRIVE	1
07-2-3	B2300-V30-0000	PLATE COMP DRIVE	1
07-2-3-1	B2350-A04-0000	PLATE COMP DRIVE	1
07-2-3-1	B2350-A04-0000	PLATE COMP DRIVE	1
07-2-3-1	B2350-A04-0000	PLATE COMP DRIVE	1
07-2-3-2	B2804-A04-0000	RUBBER CLUTCH DAMPER	3
07-2-3-2	B2804-A04-0000	RUBBER CLUTCH DAMPER	3
07-2-3-2	B2804-A04-0000	RUBBER CLUTCH DAMPER	3
07-2-3-3	B2401-A04-0000	SPRING CLUTCH	3
07-2-3-3	B2401-A04-0000	SPRING CLUTCH	3
07-2-3-3	B2401-A04-0000	SPRING CLUTCH	3
07-2-3-4	B2530-V30-0000	WEIGHT SET CLUTCH	1
07-2-3-4	B2530-V30-0000	WEIGHT SET CLUTCH	1
07-2-3-4	B2530-V30-0000	WEIGHT SET CLUTCH	1
07-2-3-5	B2361-A04-0000	PLATE CLUTCH SIDE	1
07-2-3-5	B2361-A04-0000	PLATE CLUTCH SIDE	1

07-2-3-5	B2361-A04-0000	PLATE CLUTCH SIDE	1
07-2-3-6	I4540-0701A	CIRCLIP	3
07-2-3-6	I4540-0701A	CIRCLIP	3
07-2-3-6	I0605-A04-0000	CIR CLIP 7 mm	3
07-2-4	B3238-A04-0000	COLLAR SPRING	1
07-2-4	B3238-A04-0000	COLLAR SPRING	1
07-2-5	B3233-A08-0000	SPRING DRIVER FACE	1
07-2-5	B3233-A08-0000	SPRING DRIVER FACE	1
07-2-6	B3237-A04-0000	COLLAR SEAL	1
07-2-6	B3237-A04-0000	COLLAR SEAL	1
07-2-7	I1351-A04-0000	O-RING PINION CAP	2
07-2-7	I1351-A04-0000	O-RING PINION CAP	2
07-2-8	I1211-A04-0000	SEAL DRIVEN FACE (34x41x4)	2
07-2-8	I1211-A04-0000	SEAL DRIVEN FACE (34x41x4)	2
07-2-9	B3225-A04-0000	PIN ROLLER GUIDE	3
07-2-9	B3225-A04-0000	PIN ROLLER GUIDE	3
07-2-10	B3226-A04-0000	ROLLER GUIDE	3
07-2-10	B3226-A04-0000	ROLLER GUIDE	3
07-2-11	B3220-A04-0000	FACE COMP MOVABLE DRIVEN	1
07-2-11	B3220-A04-0000	FACE COMP MOVABLE DRIVEN	1
07-2-12	B3200-A04-0000	FACE COMP DRIVEN	1
07-2-12	B3200-A04-0000	FACE COMP DRIVEN	1
07-2-12-1	B3210-A04-0000	FACE DRIVEN	1
07-2-12-1	B3210-A04-0000	FACE DRIVEN	1
07-2-12-1	B3210-A04-0000	FACE DRIVEN	1
07-2-12-2	I6140-6902LU3	BEARING, BALL, RADIAL	1
07-2-12-2	I6140-6902LU3	BEARING, BALL, RADIAL	1
07-2-12-2	I1002-A04-69020	BEARING BALL REDIAL 6902U	1
07-2-12-3	I4520-28000	CIR CLIP IN 28 mm	1
07-2-12-3	I4520-28000	CIR CLIP IN 28 mm	1
07-2-12-3	I4520-28000	CIR CLIP IN 28 mm	1
07-2-12-4	I1120-202918	BEARING, NEEDLE	1
07-2-12-4	I1120-202918	BEARING, NEEDLE	1
07-2-12-4	I1001-A04-0000	BEARING NEEDLE 20x29x18	1
07-3	B3100-A07-0000	BELT DRIVE	1
07-5	I3002-15024-1C	WASHER (25x15.2x2.5T)	1
07-6	B2102-A14-0000	FACE DRIVE	1
07-7	B2105-A04-0000	BOSS DRIVE FACE	1
07-8	B2110-A08-0000	FACE ASSY. MOVABLE DRIVE	1
07-8-1	I4601-28000	CLIP 28 mm	1
07-8-1	I4601-28000	CLIP 28 mm	2
07-8-2	B2112-A04-0000	BOSS FACE MOVABLE DRIVE	1
07-8-2	B2112-A04-0000	BOSS FACE MOVABLE DRIVE	1

07-8-3	B2111-A04-0000	FASE COMP MOVABLE DRIVE	1
07-8-3	B2111-A04-0000	FASE COMP MOVABLE DRIVE	1
07-8-4	B2121-A08-0000	ROLLER SET WEIGHT	6
07-8-4	B2121-A08-0000	ROLLER SET WEIGHT	6
07-8-5	B2132-A04-0000	PIECE SLIDE	3
07-8-5	B2132-A04-0000	PIECE SLIDE	3
07-8-6	B2131-A04-0000	PLATE RAMP	1
07-8-6	B2131-A04-0000	PLATE RAMP	1
07-9	B8211-A14-0002	RATCHET KICK STARTER	1
07-10	I4104-15104	WASHER	1
07-11	B3240-V30-0000	DISK CLUTCH FRICTON COMP	1
07-11-1	B3241-V30-0000	STOPPER PUMP	1
07-11-2	B3242-V30-0000	STOPPER	1
07-11-3	B3243-V30-0000	CLUTCCH	6
07-11-4	B3244-V30-0000	BRAKE LINING	6
07-11-5	I3501-V30-0000	SCREW BUTTON HEAD CAP	3
07-11-6	I3502-V30-0000	SCREW BUTTON HEAD CAP	3

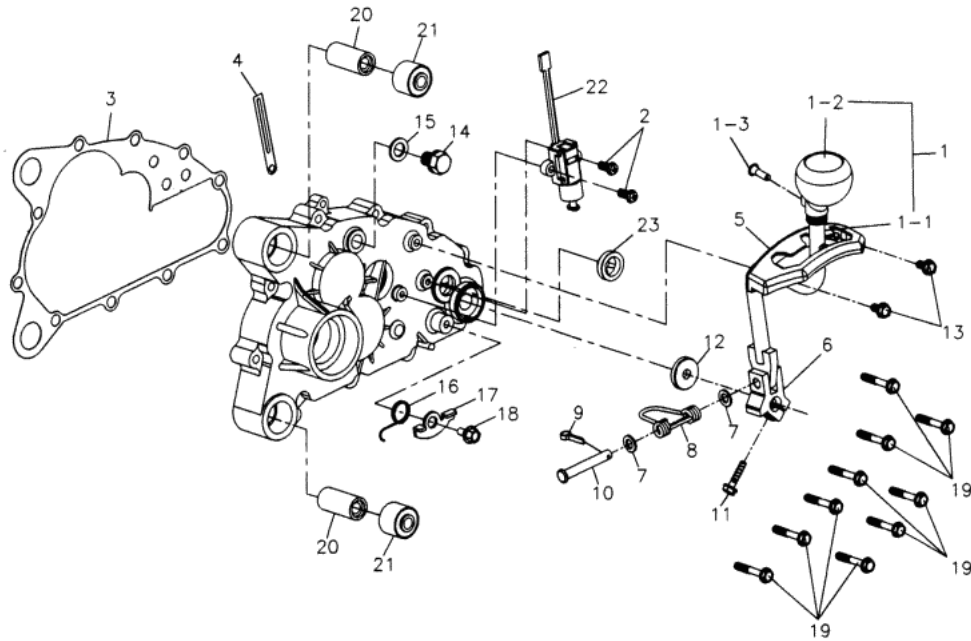
## 8. TRANSMISSION



ITEM	PART NO.	NAME	QTY
08		TRANSMISSION	
08-1	B1300-V30-0900	COVER MISSION	1
08-2	B3430-V30-0000	FINAL SHAFT COMP (40T)	1
08-3	I1130-304217	BEARING, NEEDLE	1
08-4	I1201-V30-0000	OIL SEAL	1
08-5	I6150-62053-10	BEARING, BALL, RADIAL	1
08-6	I4104-25210	WASHER	1
08-7	I4510-25000	CIRCLIP EX 25mm	1
08-8	I4520-52000	CIRCLIP IN	1
08-9	B3801-V30-0001	SPROCKET DRIVE (12T)	1
08-10	B3811-V30-0000	PLATE FIXING	1
08-11	I2201-06010-0C	BOLT	2
08-12	B3420-V30-9000	COUNTER SHAFT COMP	1
08-12-1	B3421-V30-0000	SHAFT COUNTER (15T)	1
08-12-2	B3422-V30-9000	GEAR COUNTER (41T)	1
08-13	I6100-63020	BRG RADIAL BALL	1
08-14	B3250-V30-9000	SHAFT GEAR SHIFT COMP	1
08-14-1	B3213-V30-0001	COLLAR SHAFT	1
08-14-2	I4104-15110	WASHER	2
08-14-3	B3440-V30-0000	SPUR GEAR ASSY (36T)	1
08-14-3-1	B3441-V30-9000	GEAR SPUR (36T)	1
08-14-3-2	B8113-V30-9000	BUSH	1
08-14-4	B3481-V30-0000	RATCHET SHIFT	1

08-14-5	I4510-22000	CIRCLIP EX 22mm	1
08-14-6	I0454-22030	WASHER B SPINE	1
08-14-7	B3460-V30-0000	REVERSE GEAR ASSY	1
08-14-7-1	B3461-V30-0000	GEAR REVERSE (49T)	1
08-14-7-2	I1130-223013	BEARING, NEEDLE	1
08-14-8	I4104-22010	WASHER	1
08-14-9	B3251-V30-9000	SHAFT MAIN TRANSMISSION	1
08-14-10	I4540-15000	CIR CLIP	1
08-14-11	I4104-15010A	WASHER	1
08-15	I6100-62043	BEARING, BALL, RADIAL	1
08-16	B4231-V30-0000	FORK SHIFT	1
08-17	B4241-V30-0000	SHAFT GEAR SHIFT	1
08-18	B4300-V30-0000	DRUM COMP GEAR SHIFT	1
08-18-1	B4301-V30-0000	DRUM GEAR SHIFT	1
08-18-2	B4302-V30-0000	GEAR SHAFT RETURN	1
08-18-3	I4104-13110	WASHER	1
08-18-4	B4303-V30-0000	SPRING GEAR SHAFT RETURN	1
08-18-5	B4304-V30-0000	COLLAR SHAFT	1
08-19	B461A-V30-0000	SPINDLE ASSY SHIFT	1
08-19-1	B4610-V30-0000	SPINDLE COMP SHIFT	1
08-19-2	I4540-1201A	CIRCLIP	2
08-20	I4301-10140	KNOCK PIN	2

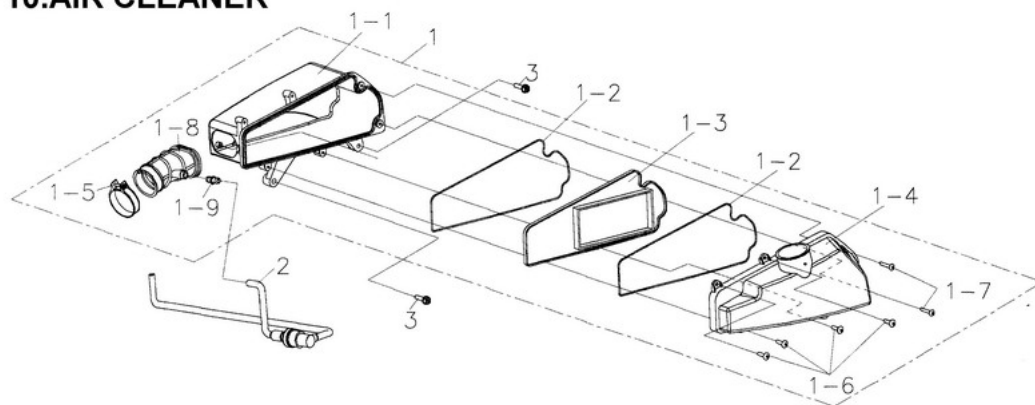
## 9. GEAR SHAFT LEVER · SAFETY SWITCH



ITEM	PART NO.	NAME	QTY
09		GEAR SHAFT LEVER, SAFETY SWITCH	
09-1	B4640-V30-9000	SHIFT COMP ROD	1
09-1-1	B4641-V30-0001	SHAFT ROD	1
09-1-2	B4642-V30-9000	HANDLE PLASTICS	1
09-1-3	I3600-06020-0G	SCREW FLAT	1
09-2	I3892-05016-0C	SCREW WASHER	2
09-3	B1395-V30-0000	GASKET MISSION COVER	1
09-4	C2963-A09-0000	CLAMPER DRAIN TUBE	1
09-5	B4622-V30-0000	FIXING SUPPORT CATCH	1
09-6	B4643-V30-0000	FIXED SUPPORT ROD SHIFT	1
09-7	I4104-08515	WASHER	2
09-8	B4644-V30-0000	SPRING ROD SHIFT	1
09-9	I4201-46195	SPLIT PIN	1
09-10	B4645-V30-0000	PIN ROD SHIFT	1
09-11	I5701-06025-0C	BOLT FLANGE	1
09-12	I1206-A00-0000	OIL SEAL (14x28x7)	1
09-13	I5801-06012-0C	BOLT FLANGE	2
09-14	I2800-12015-0C	DRAIN PLUG BOLT	1
09-15	I4104-12120	WASHER	1
09-16	B4624-V30-0000	SPRING TRANSMISSION PLATE	1
09-17	B4623-V30-0000	PLATE TRANSMISSION	1
09-18	I5701-06010-0C	BOLT , HEXAGON HEAD	1

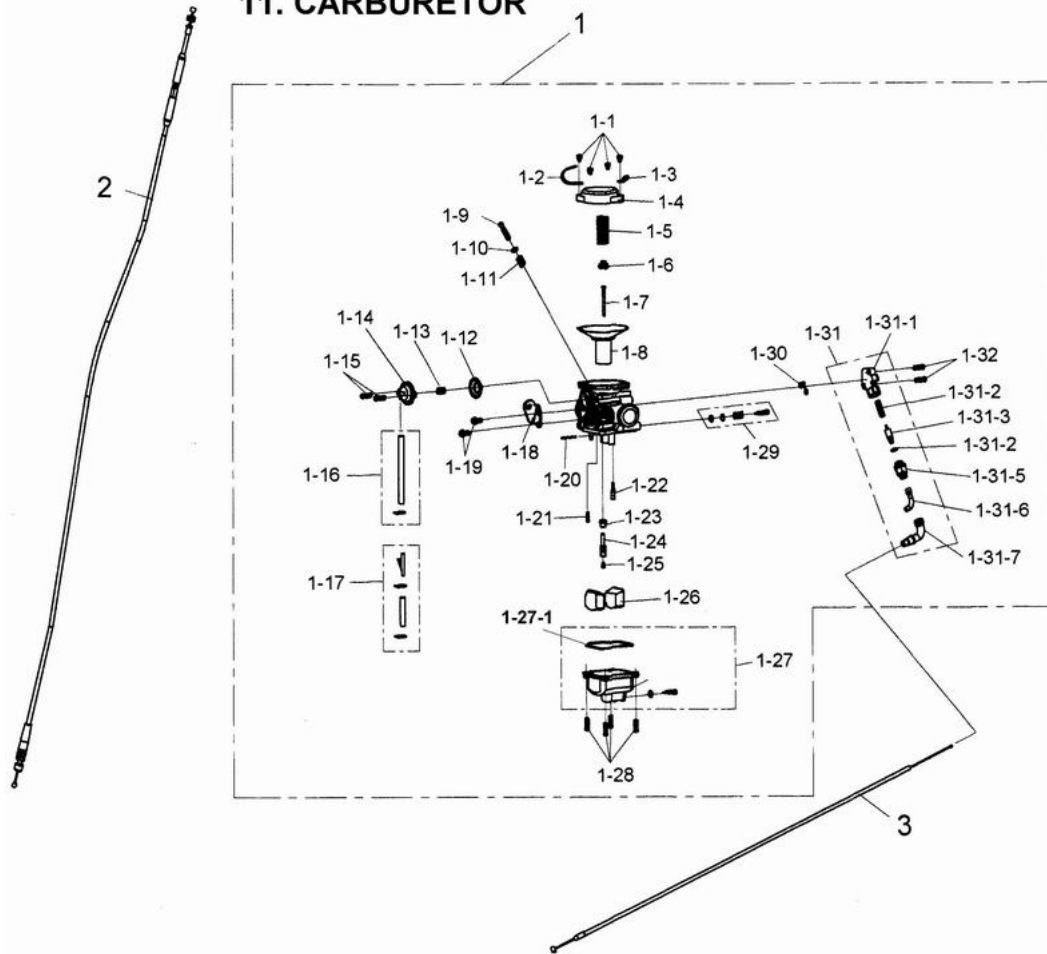
09-19	I5701-06040-0C	BOLT , HEXAGON HEAD	10
09-20	A8254-V30-0000	BOSS (B)	2
09-21	A1103-V30-0000	RUBBER BUSH ENGINE HANGER	2
09-22	C510A-V30-0000	BACK POSITION SW	1
09-23	A1332-A09-0000	GAUGE OIL LEVEL	1

## 10.AIR CLEANER



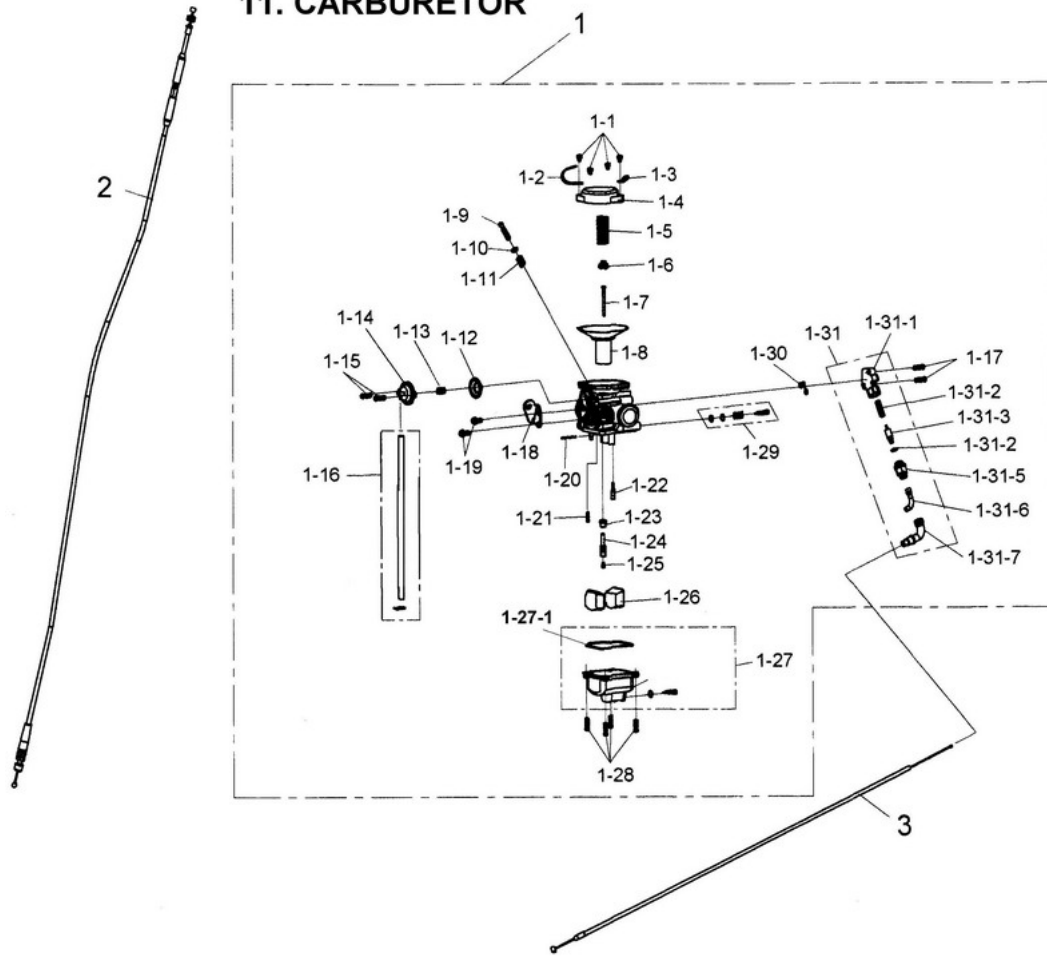
ITEM	PART NO.	NAME	QTY
10		AIR CLEANER	
10-1	A720A-V30-0001	AIR CLEANER ASSY	1
10-1-1	A7230-V30-0001	CASE AIR / C	1
10-1-2	A7214-A11-0000	SEAL AIR CLEANER COVER	2
10-1-2	A7205-A12-0000	FILTER PAPER ASSY.	1
10-1-4	A7231-V30-0001	COVER AIR/C	1
10-1-5	A7256-A04-0000	BAND AIR CLEANER CONNECTING TUBE	1
10-1-6	I3903-320B0	SELF-TAPPING SCREW (5x20)	4
10-1-7	I3903-430B0	SELF-TAPPING SCREW (5x32)	2
10-1-8	A7253-V30-0000	AIR CLEANER CONNECTING TUBE	1
10-1-9	A7364-A11-0000	B TUBE BERATHER	1
10-2	A736A-V30-9001	CATCH TANK ASSY	1
10-3	I5701-06025-0C	BOLT FLANGE	2

# 11. CARBURETOR

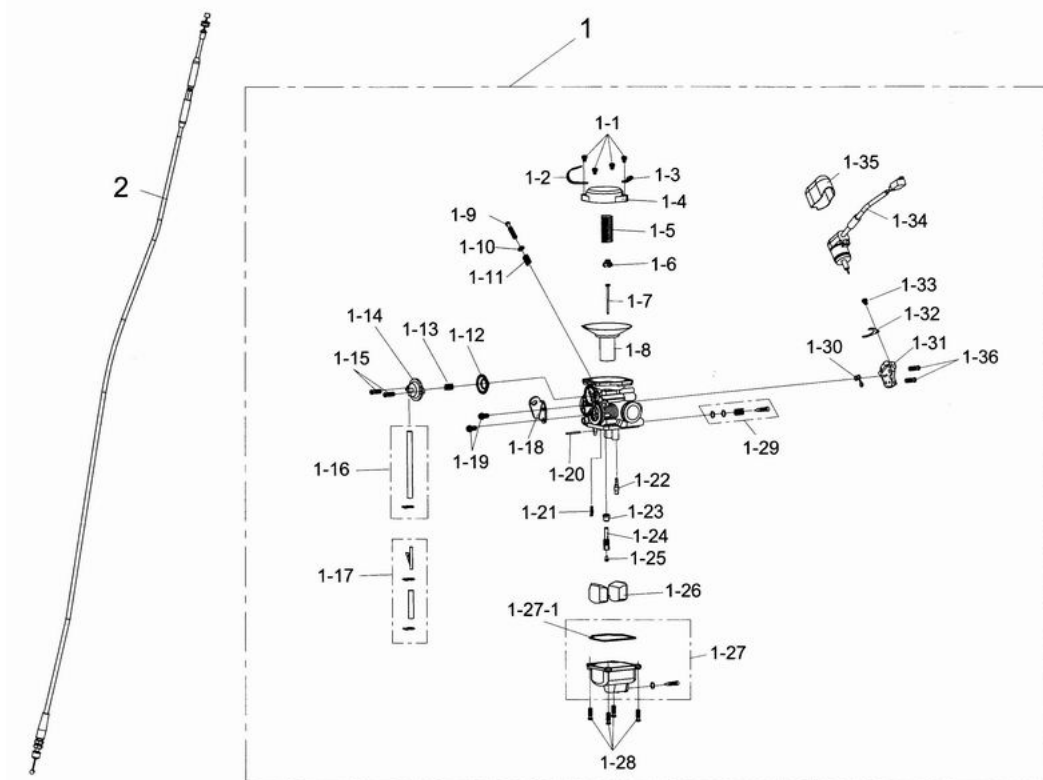


ITEM	PART NO.	NAME	QTY
11		CARBURETOR (MANUAL CHOKE WITH THREE THR	

# 11. CARBURETOR



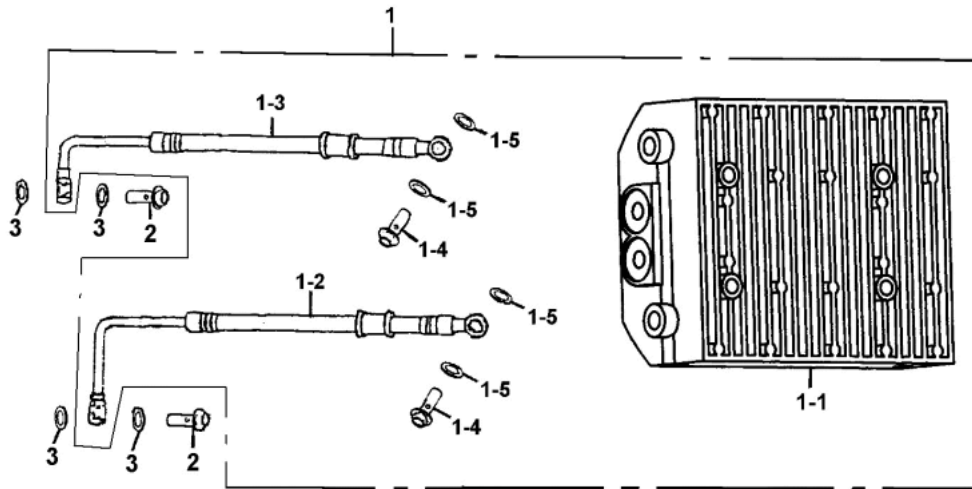
ITEM	PART NO.	NAME	QTY
11		CARBURETOR (MANUAL CHOKE WITHOUT THREE	



ITEM	PART NO.	NAME	QTY
11		CARBURETOR (AUTO-BY/STARTER)	
11-1	A610A-V30-0000	CARBURETOR ASSY.	1
11-1-1	AC001-M1	SCREW	4
11-1-2	KAB44010-M1	PLATE FIXED PISTON COVER (B)	1
11-1-3	KAB43910-M1	PLATE FIXED PISTON COVER (A)	1
11-1-5	KAB43820-M1	VACUUM PISTON COVER ASSY	1
11-1-5	KAB73710-M1	PISTON SPRING	1
11-1-6	KAB43610-M1	SPRING PLACE	1
11-1-7	KAB73320-M1	JET NEEDLE (*SG5A)	1
11-1-8	KAB43440-M1	VACUUM PISTON COMP	1
11-1-9	KAB41710-M1	THROTTLE ADJUSTING	1
11-1-10	A1046-M1	WASHER	1
11-1-11	KAB41810-M1	AIR SPRING	1
11-1-12	KAB41930-M1	A.C.V DIAPHRAGM ASSY	1
11-1-13	KAB42010-M1	A.C.V SPRING	1
11-1-14	KAB40410-M1	A.C.V COVER	1
11-1-15	AC036-M1	SCREW+WASHER	1
11-1-16	A0004-V30-0000	BEAR TUBE COMP	1
11-1-17	A0005-V30-0000	THREE THROUGH TUBE COMP	1
11-1-18	KAB41610-M1	CABLE FIXED SEAT	1
11-1-19	AC034-M1	SCREW	2
11-1-20	KAB42410-M1	FLOAT PIN	1
11-1-21	KAB4CC20-M1	NEEDLE VALVE ASSY.	1

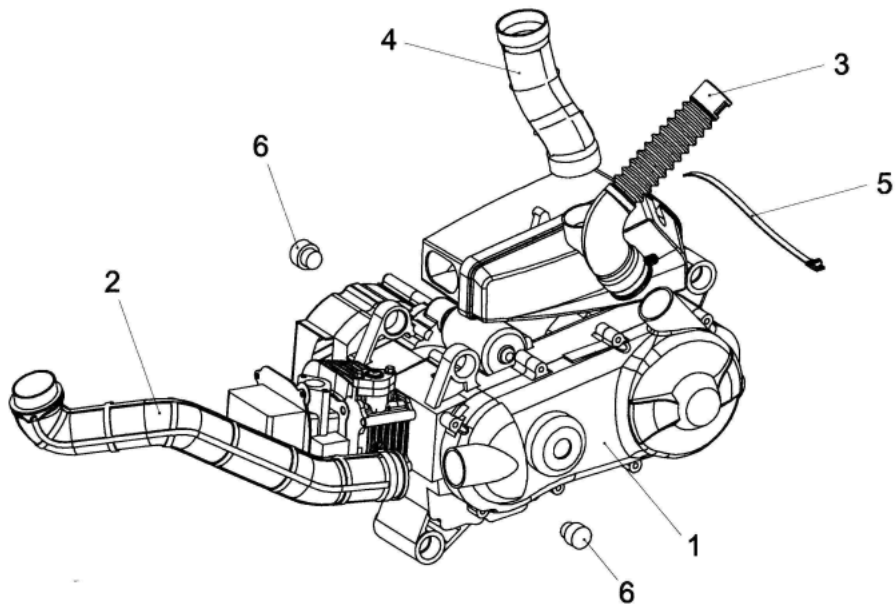
11-1-22	KAB73010-M1	SLOW JET (*35)	1
11-1-23	KAB42910-M1	NEEDLE JET	1
11-1-24	KAB73110-M1	NEEDLE JET HOLDER (*SG5A)	1
11-1-25	KAB83210	MAIN JET ( # 104)	1
11-1-25	KAB83112	MAIN JET ( #112)	1
11-1-26	KAB42310-M1	FLOAT ASSY.	1
11-1-27	A0003-V30-0000	CARB CHAMBER COMP	1
11-1-27-1	KAB45710-M1	CHAMBER O-RING	1
11-1-27-1	KAB45710-M1	CHAMBER O-RING	1
11-1-28	AC033-M1	SCREW	4
11-1-29	KAB40G04-M1	AIR ADJUSTING SCREW ASSY.	1
11-1-30	KAB47210-M1	OIL SEAL	1
11-1-31	KAB40310-M1	AUTO-BY/STARTER SEAT	1
11-1-32	KAB45810-M1	PLATE AUTO-BY/STARTER	1
11-1-33	AC037-M1	SCREW+WASHER	1
11-1-34	KAB47610-M1	AUTO-BY/STARTER	1
11-1-35	KAB47611-M1	AUTO-BY/STARTER COVER	1
11-1-36	AC017	SCREW+WASHER	2
11-2	A7910-V30-0000	CABLE ASSY THROT	1

## 12. OIL COOLER



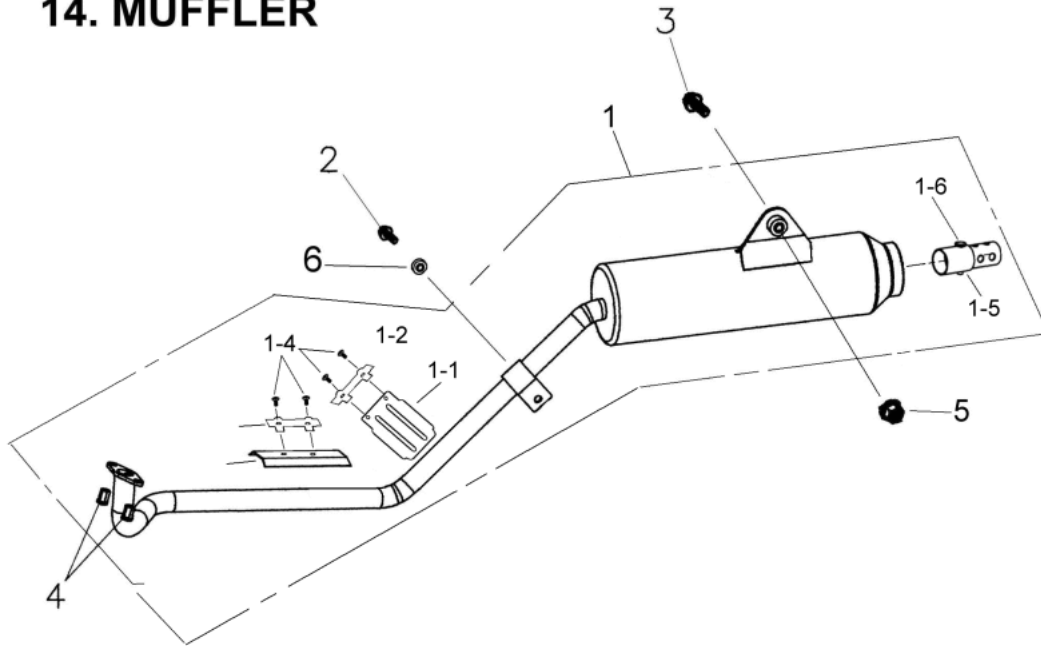
ITEM	PART NO.	NAME	QTY
12		OIL COOLER	
12-1	I902A-V30-9001	COOLER ASSY OIL	1
12-1-1	I9020-V30-9900	COOLER ASSY OIL	1
12-1-2	A9121-V30-0002	OIL HOSE COMP INLET	1
12-1-3	A9122-V30-0002	OIL HOSE COMP OUTLET	1
12-1-4	I0002-V30-0000	BOLT OIL PASS	2
12-1-5	I4104-12514	WASHER	4
12-2	I0002-V30-0000	BOLT OIL PASS	2
12-3	I4104-12514	WASHER	4

## 13. ENGINE



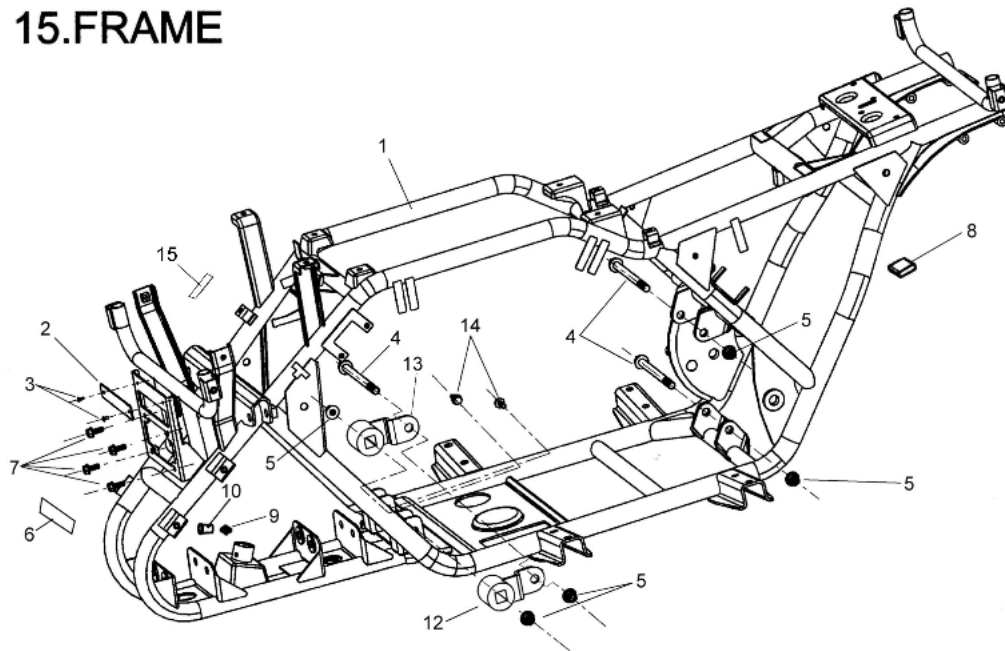
ITEM	PART NO.	NAME	QTY
13		ENGINE	
13-1	AA000-V30-8302	ENGINE	1
13-2	B0100-FIA0-0000	INLET TUBE , CVT	1
13-3	B0200-FIA0-0000	EXH TUBE , CVT	1
13-4	A7215-V30-0000	DUCT AIR CLEANER IN	1
13-5	H3936-5AA0-0000	WIRE CLAMP	1
13-6	A1105-FIA0-0000	ENGINE RUBBER PLUG	2

## 14. MUFFLER



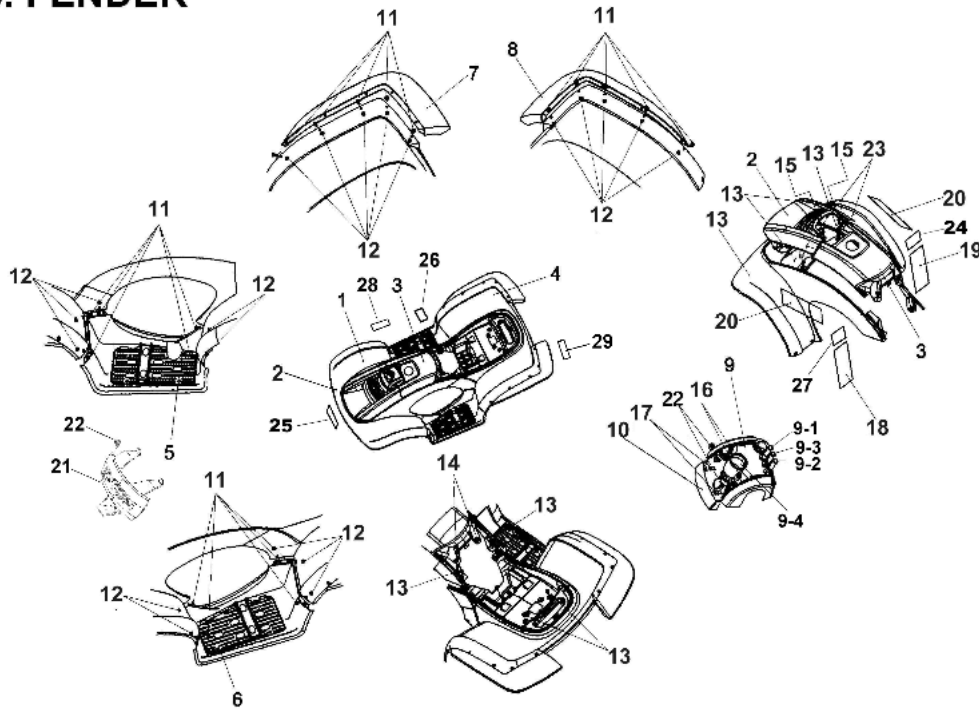
ITEM	PART NO.	NAME	QTY
14		MUFFLER	
14-1	A830A-FIA0-9000	EXHAUST PIPE ASSY.	1
14-1-1	A830B-FIA0-1000	DRIVE CHAIN COVER	1
14-1-2	A830C-FIA0-1000	ANTI-LOOSEN STRIP	2
14-1-3	A830D-FIA0-0000	FRONT EXHAUST PIPE COVER	1
14-1-4	A830F-FIA0-0000	BOLT WASHER	4
14-2	I7507-FIA0-0000	BOLT+WASHER+SPG WASHER	1
14-3	I0149-08036-01	BOLT,FLANGE (M8x36)	1
14-4	I0179-06850	NUT	2
14-5	I5611-08200	NUT,FLANGE	1
14-6	I3016-08018-1G	WASHER	1

## 15.FRAME



ITEM	PART NO.	NAME	QTY
15		FRAME	
15-1	E0100-FIB0-1000	FRAME COMP.	1
15-2	E0101-5EA0-0000	FRAME NUMBER PLATE	1
15-3	H750A-5BA1-0000	NAIL, PULL	2
15-4	E0351-5EA0-0000	ENGINE SET BOLT(M10x115)	3
15-5	I5611-10200	NUT,FLANGE CHECK	5
15-6	F4309-5EA0-0000	STICKER, MFD.	1
15-7	I2501-06080-0B	BOLT,HEXAGON HEAD	4
15-8	G7223-5EB0-0000	RUBBER PAD	1
15-9	I6600-06000	GREASE VALVE(1/4")	0
15-10	E0209-5EA0-9000	CAP, GREASE VALVE	1
15-12	E0350-FIA0-0000	ENGINE SUSPENSION ASSY. ,LEFT	1
15-13	E0353-FIA0-0000	ENGINE SUSPENSION ASSY. ,RIGHT	1
15-14	E0352-FIA0-0000	SCREW,BUTTON HEAD CAP	2

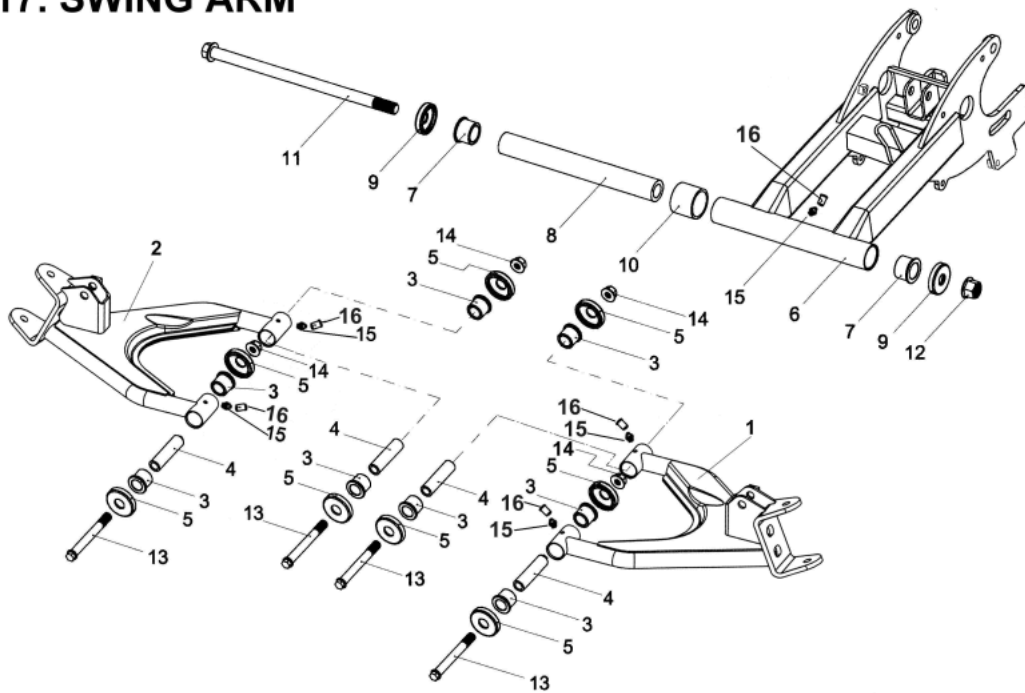
## 16. FENDER



ITEM	PART NO.	NAME	QTY
16		FENDER	
16-1	F4300-FIB0-4200	FRONT FENDER (RED)	1
16-1	F4300-FIB0-0C00	FRONT FENDER (CAMO)	1
16-1	F4300-FIB0-2500	FRONT FENDER (GREEN)	1
16-1	F4300-FIB0-0700	FRONT FENDER(SILVER)	1
16-1	F4300-FIB0-5400	FRONT FENDER(BLUE)	1
16-2	F4301-FIA0-0800	FRONT CENTRAL COVER(BLACK)	1
16-3	F4302-FIA0-0800	REAR CENTRAL COVER (BLACK)	1
16-4	H3500-FIA0-4200	REAR FENDER(RED)	1
16-4	H3500-FIA0-5400	REAR FENDER(BLUE)	1
16-4	H3500-FIA0-0700	REAR FENDER(SILVER)	1
16-4	H3500-FIA0-2500	REAR FENDER(GREEN)	1
16-4	H3500-FIA0-0C00	REAR FENDER(CAMO)	1
16-5	H3520-FIA0-0800	FOOTREST, RIGHT	1
16-6	H3620-FIA0-0800	FOOTREST, LEFT	1
16-7	H3720-FIA0-0800	TRIM,REAR RIGHT	1
16-8	H3820-FIA0-0800	TRIM,REAR LEFT	1
16-9	E320A-FIA0-0800	COVER, HANDLE BAR	1
16-9-1	C3101-FIA0-0000	INDICATE(RED)	1
16-9-2	C3102-FIA0-0000	INDICATE(BLUE)	1
16-9-3	C3103-FIA0-0000	INDICATE(GREEN)	1
16-9-4	C7801-FIA0-0000	METER,FUEL LEVER	1
16-10	E3206-FIA0-0800	FRONT PLATE,HANDLE BAR COVER	1

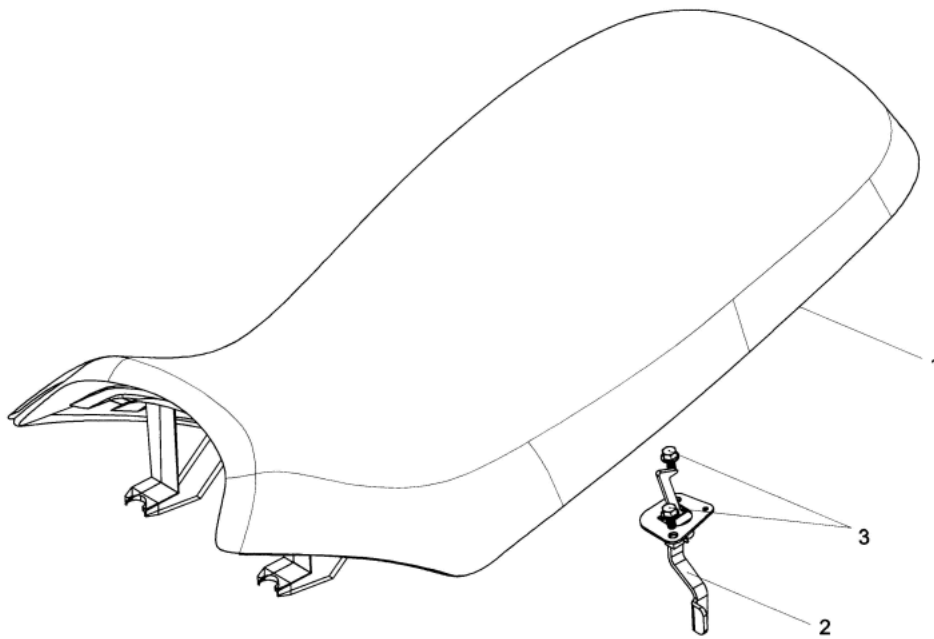
16-11	E0117-9EA0-0000	BUTTON HEAD SCREW(M6×18)	20
16-12	I5611-06200-0G	NUT,SELF LOCK(M6)	20
16-13	I0119-06821	BOLT+WASHER	8
16-14	I0149-06035	BOLT ,FLANGE(M6x35)	2
16-15	I8310-FIA0-0000	PLASTICS SCREW	2
16-16	I8556-06020	SCREW, PAN HEAD (M6×20)	2
16-17	I4603-04000-5C	NUT, WITH SPRING	2
16-18	H7101-FIA0-9000	STICKER, WARNING (PASSENGER)	1
16-19	H7102-FIA0-9000	STICKER, WARNING (Y-16)	1
16-20	H7103-FIB1-0000	STICKER,CHALLENGER CXL150	1
16-21	F4303-FIB0-0800	HAED LIGHT COVER	1
16-22	I2804-04010-5C	SELF-TAPPING SCREW	3
16-23	I7707-04016	SCREW,TAPPING	2
16-24	H7102-5EA1-9000	STICKER,CE	1
16-26	H7129-FIA0-0000	STICKER,INDICATE GEAR	1

## 17. SWING ARM



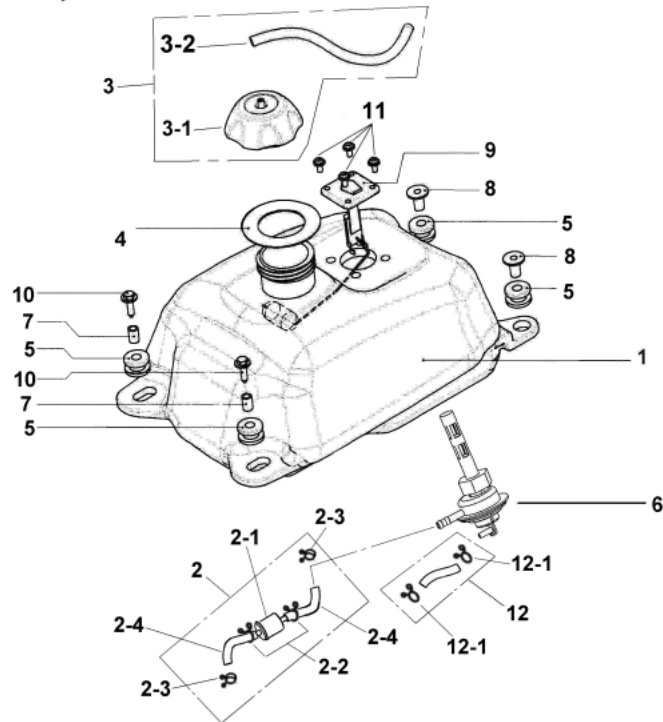
ITEM	PART NO.	NAME	QTY
17		SWING ARM	
17-1	E0200-FIA0-1000	ARM, SUSPENSION, L.H.	1
17-2	E0210-FIA0-1000	ARM, SUSPENSION, R.H.	1
17-3	E0201-FIA0-0000	BUSH, ARM SUSPENSION	8
17-4	E0209-FIA0-0000	SPACER	4
17-5	E2205-4HA0-0000	SWING ARM SEAL COVER (25.4)	8
17-6	E220A-FIB0-9000	SWING ARM SUB ASSY.	1
17-7	E2208-5EA0-0000	SWING ARM OIL LINER(20)	2
17-8	E2209-FIA0-0000	SPACER	1
17-9	E2205-5EA0-0000	SWING ARM SEAL COVER(30.8x38.5x7x14)	2
17-10	E2202-FIA0-0000	RUBBER SLEEVE	1
17-11	E2201-FIA0-0000	BOLT,SWING RAM SET CHECK(M14x265)	1
17-12	I5611-14200	NUT, FLANGE CHECK (M14)	1
17-13	I0149-10080	BOLT,FLANGE(M10x80)	4
17-14	I5611-10200	NUT,FLANGE CHECK	4
17-15	I6600-06000	GREASE VALVE(1/4")	5
17-16	E0209-5EA0-9000	CAP, GREASE VALVE	5

## 18. SEAT



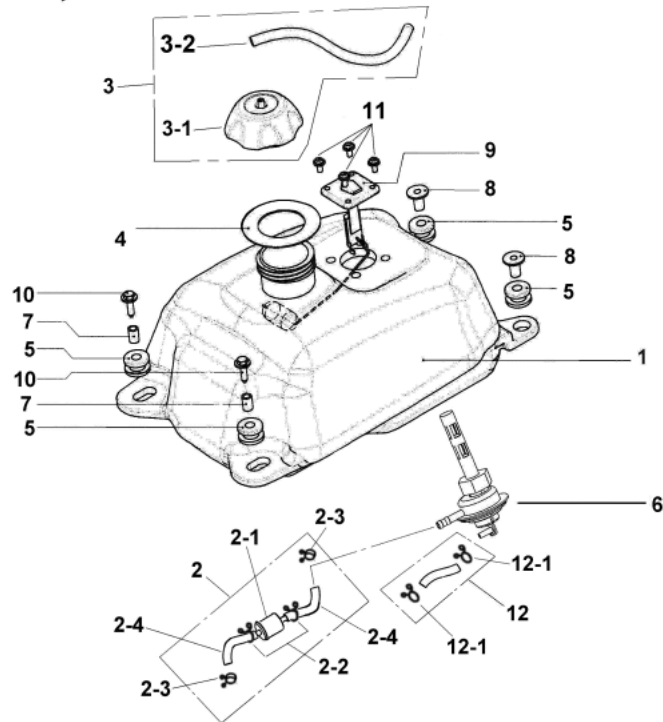
ITEM	PART NO.	NAME	QTY
18		SEAT	
18-1	G7200-FIC0-0000	SEAT ASSY	1
18-2	G7201-FIA0-0000	SEAT LOCK	1
18-3	I0149-06012	BOLT,FLANGE	2

## 19. FUEL TANK, OIL TANK



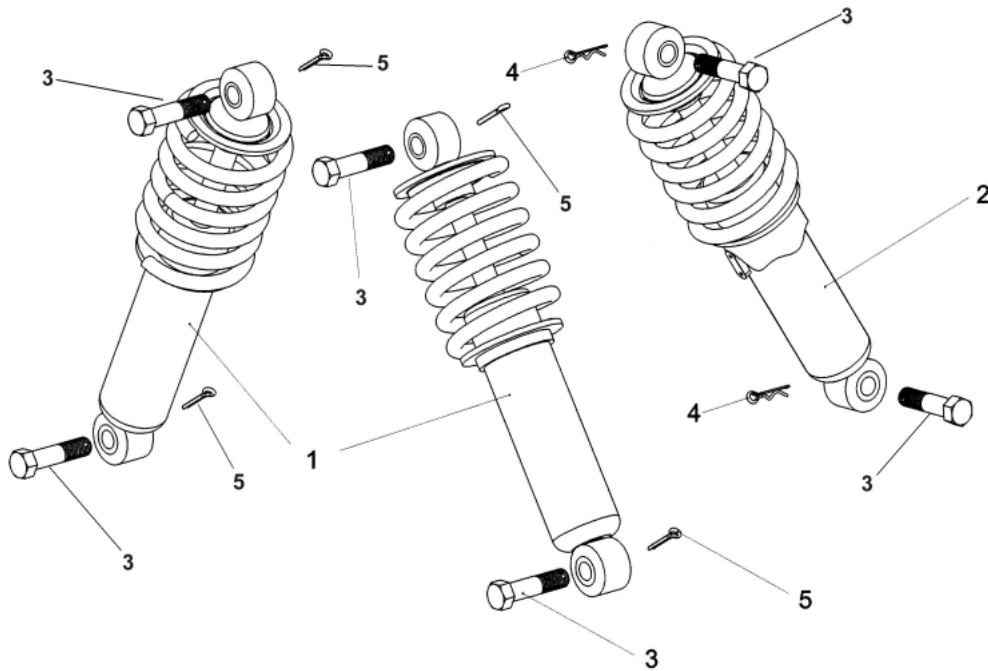
ITEM	PART NO.	NAME	QTY
19		FUEL TANK	
19-1	A7500-FIA0-0000	FUEL TANK COMP	1
19-2	A751A-FIA0-1000	FUEL FILTER ASSY.	1
19-3	A762A-9FA0-0000	FUEL TANK CAP ASSY.	1
19-3-1	A7620-9FA0-0000	FUEL TANK CAP	1
19-3-2	A7621-9FA0-0000	BREATHE TUBE	1
19-4	A7622-9FA0-0000	RUBBER PAD, FUEL TANK CAP	1
19-5	A7510-FIA0-0000	FUEL TANK RUBBER PAD	4
19-6	A6701-FIA0-0000	FUEL COCK ASSY.	1
19-7	A7511-FIA0-0000	RUBBER INSULATOR	2
19-8	A7512-FIA0-0000	FUEL TANK GASKET SPACER	2
19-9	C780A-FIA0-0000	METER FUEL LEVER	1
19-10	I7507-06225	BOLT,HEXAGON HEAD(M6x25)	2
19-11	A751B-FIA0-0000	VACUUM TUBE COMP	4
19-11-1	A7518-FIA0-0000	CLIP	2
19-12	A751B-FIA0-0000	VACUUM TUBE COMP	1
19-12-1	A7518-FIA0-0000	CLIP	2

## 19. FUEL TANK, OIL TANK



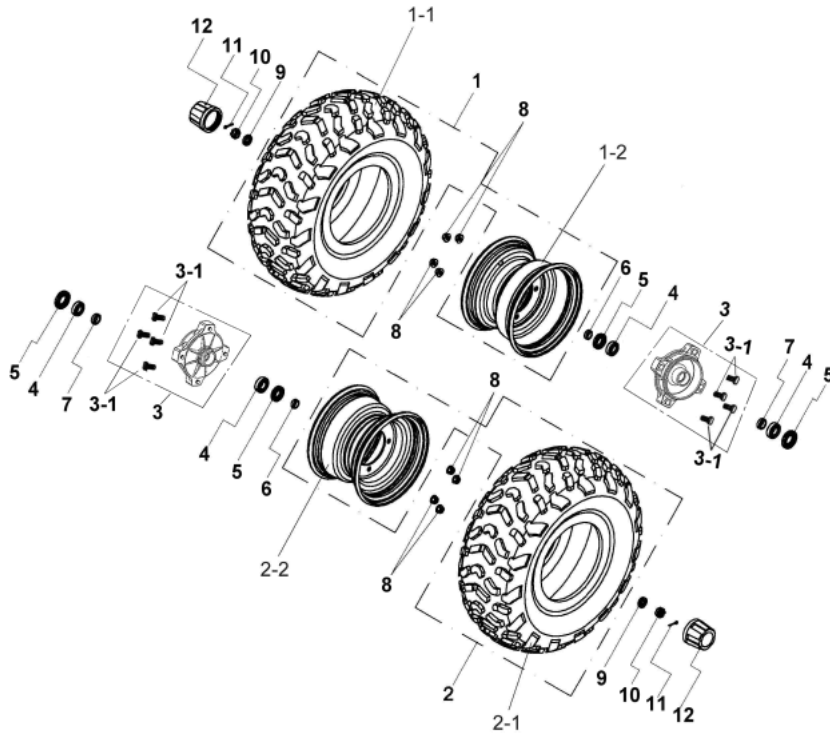
ITEM	PART NO.	NAME	QTY
19		FUEL TANK	
19-2	A751A-FIA0-1000	FUEL FILTER ASSY.	1
19-2-1	A7519-FIA0-1000	FILTER COMP FUEL	1
19-2-2	A7516-5EA0-0000	CLIP(A)	2
19-2-3	A7517-FIA0-0000	CLIP	2
19-2-4	A7514-FIA0-0000	FUEL TUBE(A)	2
19-3	A762A-9FA0-0000	FUEL TANK CAP ASSY.	1
19-3-1	A7620-9FA0-0000	FUEL TANK CAP	1
19-3-1	A7620-9FA0-0000	FUEL TANK CAP	1
19-3-2	A7621-9FA0-0000	BREATHE TUBE	1
19-3-2	A7621-9FA0-0000	BREATHE TUBE	1
19-4	A7622-9FA0-0000	RUBBER PAD, FUEL TANK CAP	1
19-5	A7510-FIA0-0000	FUEL TANK RUBBER PAD	4
19-6	A6701-FIA0-0000	FUEL COCK ASSY.	1
19-7	A7511-FIA0-0000	RUBBER INSULATOR	2
19-8	A7512-FIA0-0000	FUEL TANK GASKET SPACER	2
19-9	C780A-FIA0-0000	METER FUEL LEVER	1
19-10	I7507-06225	BOLT,HEXAGON HEAD(M6x25)	2
19-11	I0200-50160	BOLT,WITH WASHER	4
19-12	A751B-FIA0-0000	VACUUM TUBE COMP	1
19-12-1	A7518-FIA0-0000	CLIP	2
19-12-1	A7518-FIA0-0000	CLIP	2

## 20. SUSPENSION



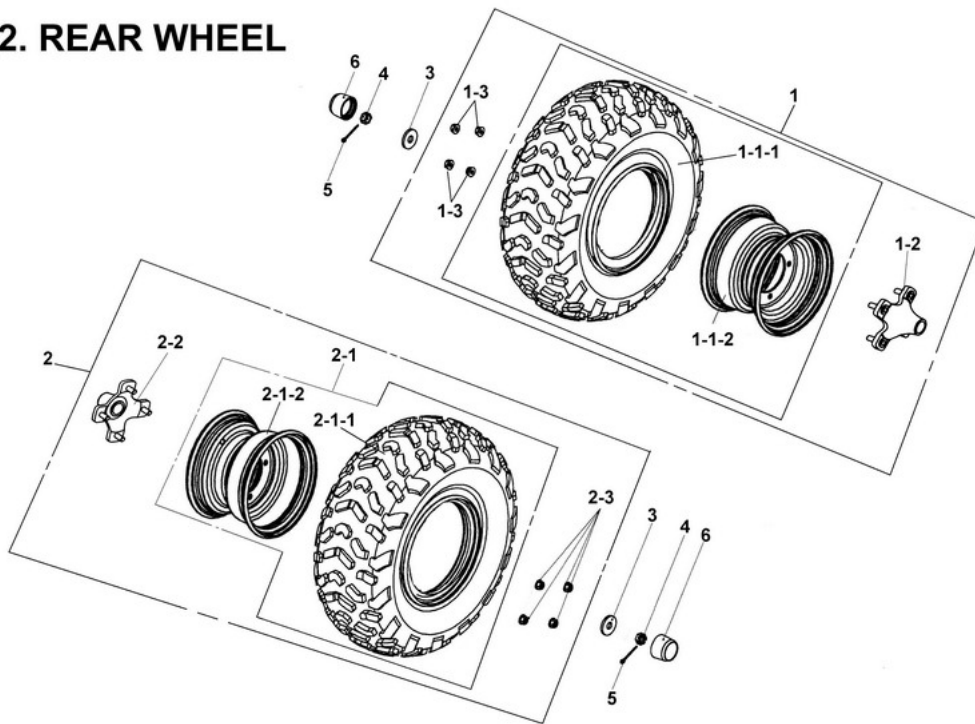
ITEM	PART NO.	NAME	QTY
20		SUSPENSION	
20-1	E1105-FIA0-9000	SUSPENSION	2
20-2	E2400-FIC0-0000	SUSPENSION, REAR	1
20-3	I0102-10040B	BOLT HOLE	6
20-4	I0468-12006	PIN	2
20-5	I9900-25019	COTTER PIN	4

## 21. FRONT WHEEL



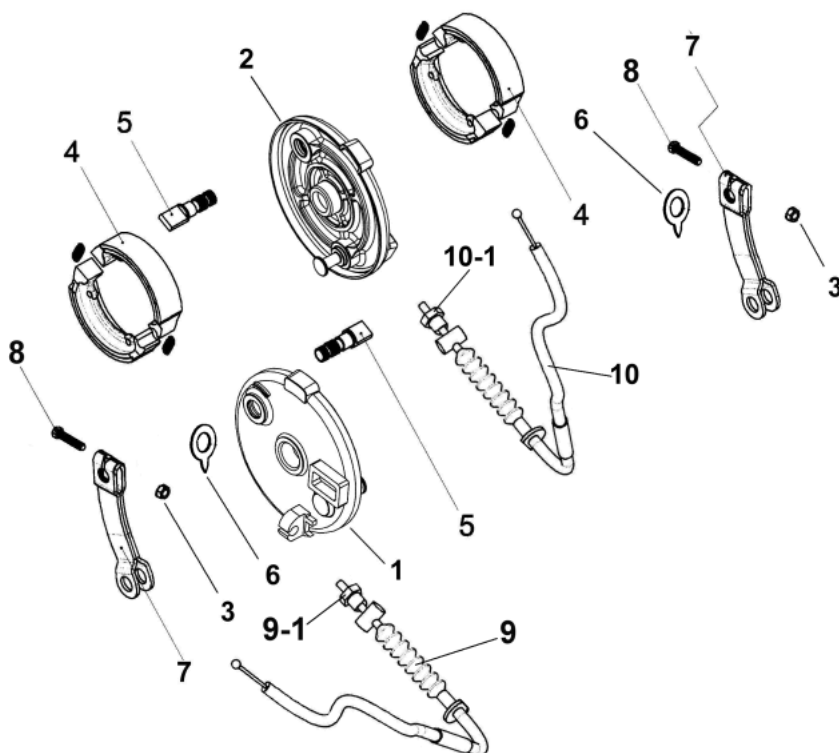
ITEM	PART NO.	NAME	QTY
21		FRONT WHEEL	
21-1	D471A-FIA0-9S00	FRONT WHEEL ASSY.,LEFT(21x7-10)	1
21-1-1	D4710-FIA0-1000	WHEEL TIRE (21x7-10)	1
21-1-2	D4601-FIA0-9S00	WHEEL RIM (10*5.5")	1
21-2	D471B-FIA0-9S00	FRONT WHEEL ASSY.,RIGHT(21x7-10)	1
21-2-1	D4710-FIA0-1000	WHEEL TIRE (21x7-10)	1
21-2-2	D4601-FIA0-9S00	WHEEL RIM (10*5.5")	1
21-3	D4610-FIA0-9000	BRAKE DRUM, FRONT	2
21-3-1	D4612-9FA0-0000	BOLT,STUD	8
21-4	I6100-6003LLU	BEARING(6003LLU)	4
21-5	I1307-24035-10	OIL SEAL	4
21-6	D4621-FIA0-0000	OUTER SPACER	2
21-7	D4620-FIA0-0000	INNER SPACER	2
21-8	D4611-9EA0-0000	NUT,FLANGE CHECK(M10)	8
21-9	I9905-14200	WASHER	2
21-10	I5500-14100	CASTLE NUT	2
21-11	I4201-46325	COTTER PIN	2
21-12	D4609-9FA0-0000	RUBBER CAP	2

## 22. REAR WHEEL



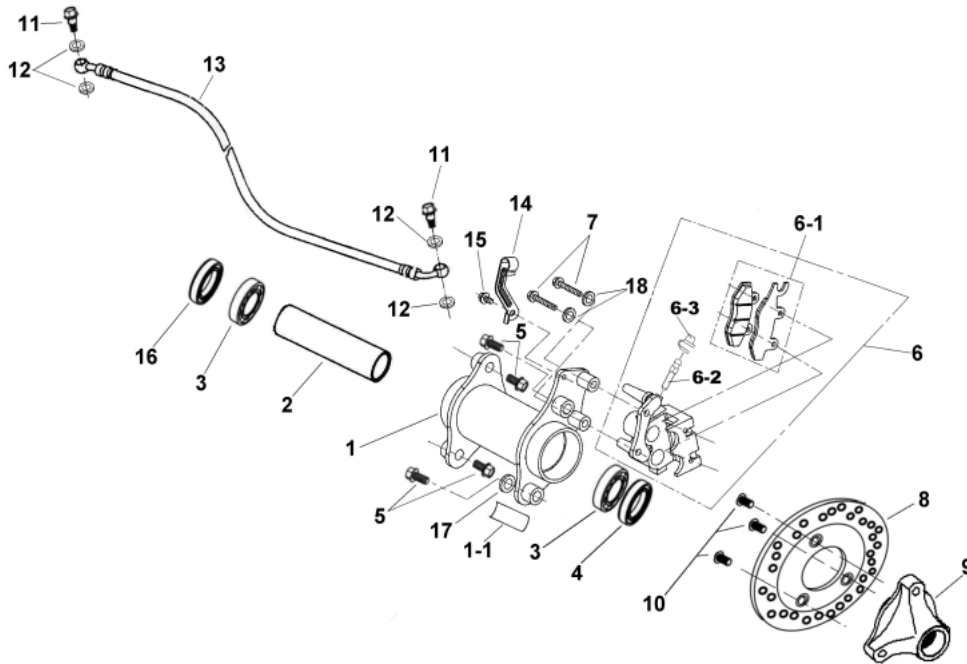
ITEM	PART NO.	NAME	QTY
22		REAR WHEEL	
22-1	D472C-FIA0-8S00	REAR WHELL ASSY.,LEFT(22x10-8)	1
22-1-1	D471C-FIA0-8S00	REAR WHELL COMP.,LEFT(22x10-8)	1
22-1-1-1	D4720-FIA0-9000	WHEEL TIRE (22x10-10)	1
22-1-1-2	D4602-FIC0-9S00	WHEEL RIM (10"x8)	1
22-1-2	D2705-FIA0-9000	SHAFT CONNECTER WITH BOLTS	1
22-1-3	D4611-9EA0-0000	NUT,FLANGE CHECK(M10)	4
22-2	D472D-FIA0-8S00	REAR WHELL ASSY.,RIGHT(22x10-8)	1
22-2-1	D471D-FIA0-8S00	REAR WHELL COMP.,RIGHT(22x10-8)	1
22-2-1-1	D4720-FIA0-9000	WHEEL TIRE (22x10-10)	1
22-2-1-2	D4602-FIC0-9S00	WHEEL RIM (10"x8)	1
22-2-2	D2705-FIA0-9000	SHAFT CONNECTER WITH BOLTS	1
22-2-3	D4611-9EA0-0000	NUT,FLANGE CHECK(M10)	4
22-3	D2309-5EA0-0000	WASHER	2
22-4	I4012-140H0	CASTLE NUT(M14)	2
22-5	I4201-46325	COTTER PIN	2
22-6	D4609-5EA0-0000	RUBBER CAP	2

## 23. FRONT BRAKE



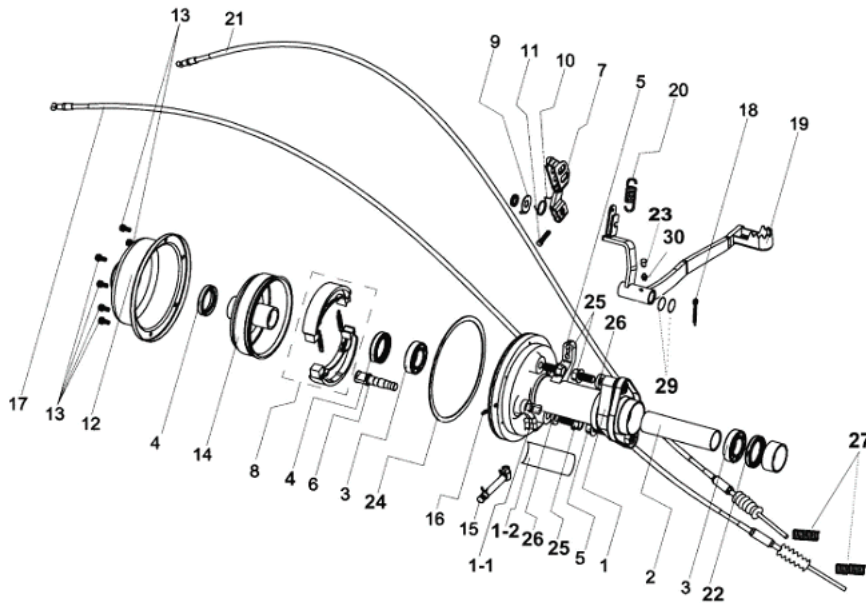
ITEM	PART NO.	NAME	QTY
23		FRONT BRAKE SYSTEM	
23-1	D5351-FIA0-0000	FRONT BRAKE PANEL COMP., LEFT	1
23-2	D5352-FIA0-0000	FRONT BRAKE PANEL COMP., RIGHT	1
23-3	I5707-06500	NUT	2
23-4	D312A-A04-8000	FRONT BRAKE SHOE COMP. (80)	2
23-5	D5141-FIA0-1000	FRONT BRAKE ARM CAM	2
23-6	D5145-FIA0-0000	BRAKE INDICATOR,FRONT	2
23-7	D5410-FIA0-0000	FRONT BRAKE ARM	2
23-8	I0020-06030	BOLT(M6x30)	2
23-9	E5450-FIA0-1000	CABLE, FRONT BRAKE(LEFT)	1
23-9-1	E5452-FIA0-1000	NUT,ADJUSTING	1
23-9-1	E5452-FIA0-1000	NUT,ADJUSTING	1
23-10	E5451-FIA0-1000	CABLE, FRONT BRAKE(RIGHT)	1
23-10-1	E5452-FIA0-1000	NUT,ADJUSTING	1
23-10-1	E5452-FIA0-1000	NUT,ADJUSTING	1

## 24.REAR BRAKE(HYDRAULIC DISC BRAKE)



ITEM	PART NO.	NAME	QTY
24		REAR BRAKE (HYDRAULIC DISC BRAKE)	
24-1	D2310-FIA0-1000	BEARING SEAT ASSY., REAR WHEEL AXLE	1
24-1-1	H7106-FIA0-0000	WARNING STICKER , CHAIN	1
24-2	D2311-FIA0-0000	SPACER	1
24-3	I6100-6007LLU	BEARING(6007LLU)	1
24-4	D2315-FIA0-0000	OIL SEAL	1
24-5	I0141-12036-01	BOLT,FLANGE (M12x36)	1
24-6	G7130-BCA0-0000	BRAKE CALLIPER	1
24-6-1	G7131-BCA0-0000	BRAKE SHOE COMP	1
24-6-2	G7132-BCA0-0000	BOLT LEAKAGE	1
24-6-3	G7133-BCA0-0000	CAP LEAKAGE	1
24-7	I0105-08035	BOLT FLANGE	1
24-8	D3520-FIA0-0000	BRAKE DISK	1
24-9	D3251-FIA0-0000	BRAKE DISK MOUNTING SEAT	1
24-10	I0110-10811	BOLT,ROUND HEAD(M10)	1
24-11	I0401-10034	BOLT FLANGE	1
24-12	I0201-10118	WASHER	1
24-13	D3210-FIA0-0000	BRAKE OIL TUBE	1
24-14	G7111-BCA0-0000	BRAKE FUEL TUBE, CLIP	1
24-15	I0149-06012	BOLT,FLANGE	1
24-16	D2313-FIA0-0000	OIL SEAL(48x62x7)	1
24-18	I9901-08100	SPRING WASHER	1

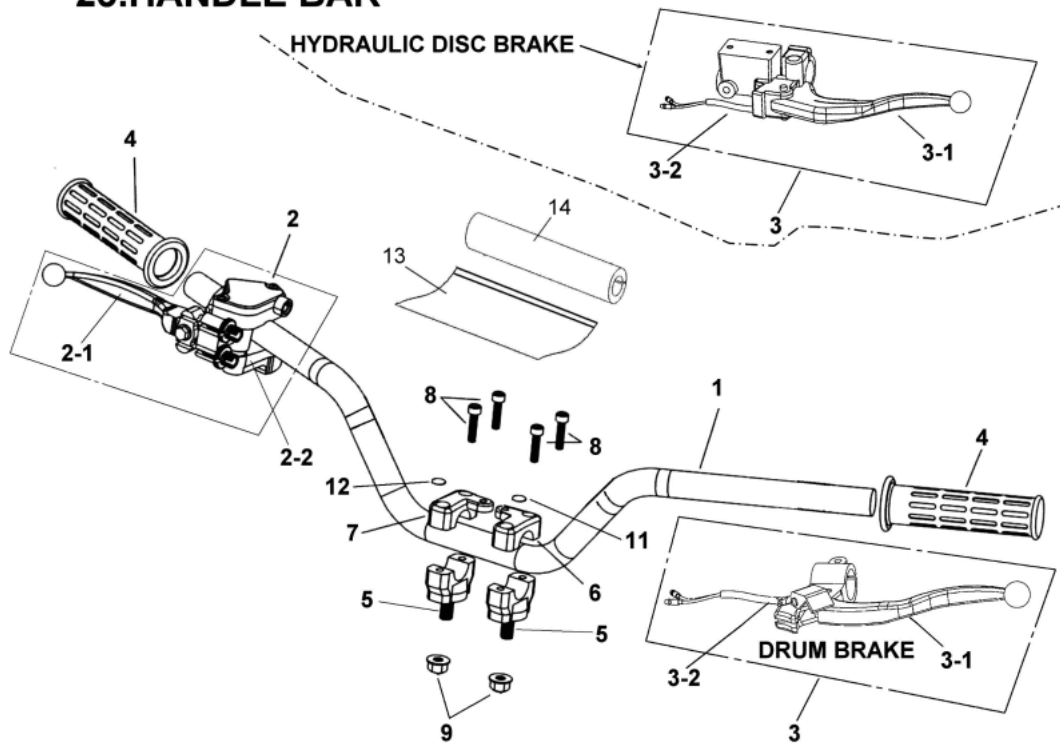
## 24. REAR BRAKE (DRUM BRAKE)



ITEM	PART NO.	NAME	QTY
24		REAR BRAKE (DRUM BRAKE)	
24-1	D231A-FIA0-0000	BEARING SEAT ASSY., REAR WHEEL AXLE	1
24-1-1	D3142-FIA0-0000	REAR SHAFT BRAKE	1
24-1-2	H7106-FIA0-0000	WARNING STICKER , CHAIN	1
24-2	D2311-FIA0-0000	SPACER	1
24-3	I6100-6007LLU	BEARING(6007LLU)	2
24-3	I6100-6007LLU	BEARING(6007LLU)	2
24-4	D2315-FIA0-0000	OIL SEAL	2
24-5	I0141-12036-01	BOLT,FLANGE (M12x36)	1
24-6	D3141-FIA0-0010	BRAKE ARM CAM, REAR	1
24-7	D3410-FIA0-0000	BRAKE ARM, REAR	1
24-8	D3120-FIA0-9000	REAR BRAKE SHOE COMP	1
24-9	D3145-FIA0-0000	BRAKE INDICATOR, REAR	1
24-10	D3419-FIA0-0000	RETURN SPRING, REAR	1
24-11	I0020-06030	BOLT(M6x30)	1
24-12	D3615-FIA0-0000	DRUM COVER, REAR	1
24-13	I8557-06012	SCREW WASHER	6
24-14	D3610-FIA0-0000	REAR BRAKE DRUM	1
24-15	D2316-5EA0-0000	DRAIN PIPE ASSY.	1
24-16	D2319-FIA0-0000	PLUG, PURGE HOLE	1
24-17	E3450-FIA0-0000	CABLE, REAR BRAKE	1
24-18	I9900-30032	COTTER PIN(1/8"x11/4")	1
24-19	E0708-FIA0-0000	BRAKE PEDAL	1
24-20	I5016-5BA1-0000	SIDE STAND SPRING	1

24-21	E0710-FIA0-0000	BRAKE PEDAL CABLE	1
24-22	D2313-FIA0-0000	OIL SEAL(48x62x7)	1
24-23	E0209-5EA0-9000	CAP, GREASE VALVE	1
24-24	D3611-FIA0-0000	O-RING	1
24-25	I0141-12040-01	BOLT ,FLANGE	3
24-26	D2203-5EA0-0000	PLAIN WASHER	2
24-27	D3416-FIA0-0000	SPRING,REAR BRAKE CABLE	2
24-29	D2314-FIA0-0000	O-RING(w2.4xd13.8)	2
24-30	I6600-06000	GREASE VALVE(1/4")	0

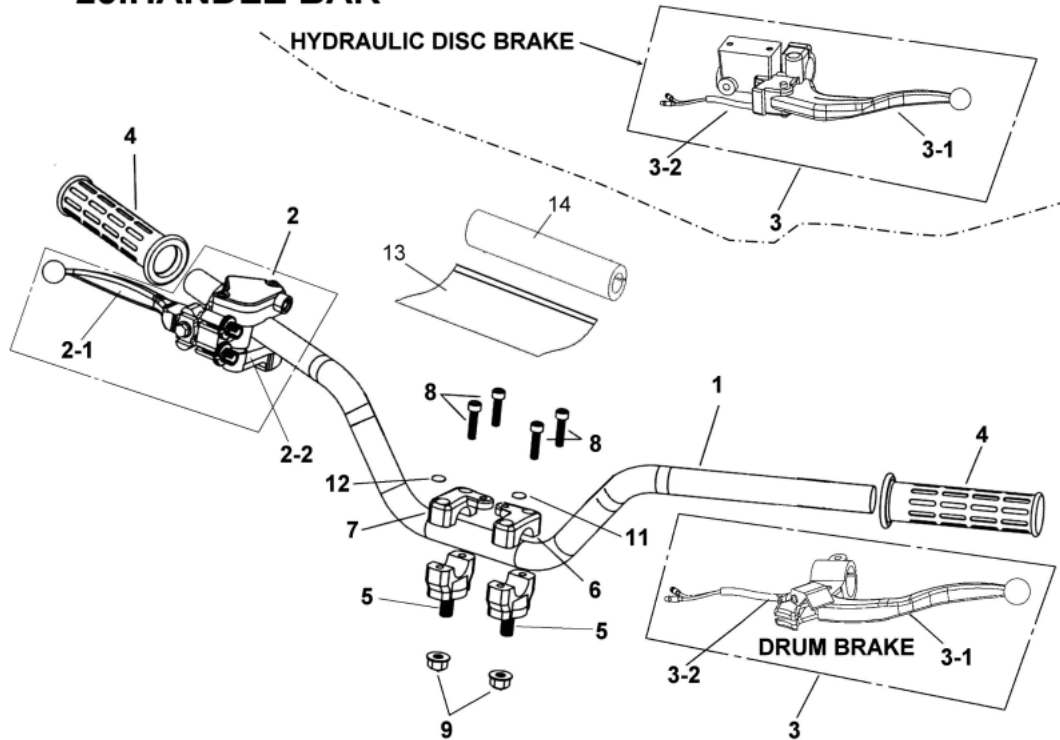
## 25.HANDLE BAR



ITEM	PART NO.	NAME	QTY
25		HANDLE BAR (HYDRAULIC DISC BRAKE)	
25-1	E3100-FIA0-9000	HANDLE BAR ASSY.	1
25-2	E3180-FIA0-0000	LEVEL ASSY., RIGHT	1
25-2-1	E3181-5FA0-0000	LEVEL SET,RIGHT	1
25-2-2	E319A-5FA0-0000	LEVEL ACCELERATE	1
25-2-3	E3183-FIA0-0000	COVER LEVER	1
25-2-4	E3188-FIA0-0000	GASKET LEVER	1
25-2-5	I8506-04016	SCREW,PAN HEAD	2
25-3	D3200-FIA0-0000	BRAKE MASTER CYLINDER,LEFT	1
25-3-1	D3201-FIA0-0000	LEVEL,LEFT	1
25-3-1	D3201-FIA0-0000	LEVEL,LEFT	1
25-3-2	D3202-FIA0-0000	BRAKE SWITCH ASSY.	1
25-3-2	D3202-FIA0-0000	BRAKE SWITCH ASSY.	1
25-4	E3166-5EA0-0000	GRIP HANDLE	2
25-5	E3112-5EA0-0000	HANDLE BAR CLAMP, BOTTOM	2
25-6	E3110-5EA0-0000	HANDLE BAR CLAMP, CAP, LEFT	1
25-7	E3111-5EA0-0000	HANDLE BAR CLAMP, CAP, RIGHT	1
25-8	I0050-06025	SOCKET SCREW(M6x25)	4
25-9	I5611-10200	NUT,FLANGE CHECK	2
25-11	H7111-9FA0-0000	STICKER,HANDLE BAR CLAMP,LEFT	1
25-12	H7112-9FA0-0000	STICKER,HANDLE BAR CLAMP,RIGHT	1
25-13	E3101-5EE0-1000	HANDLE BAR PROTECT (W150x222L)	1

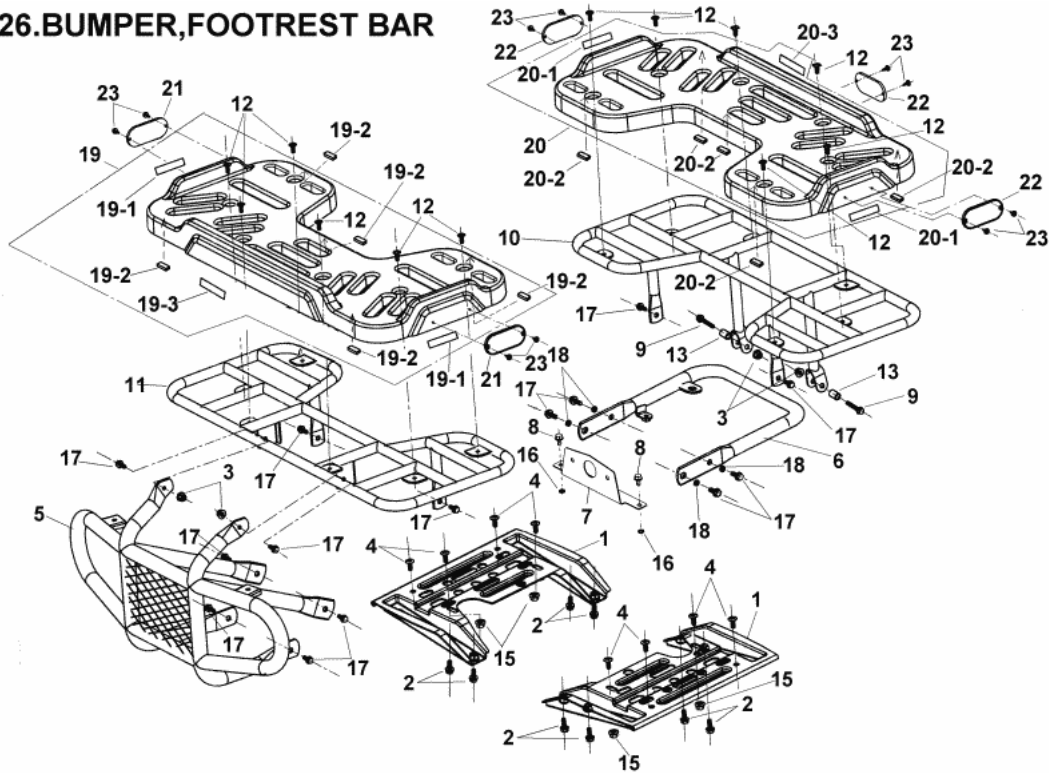
25-14	E3102-5EE0-1000	HANDLE BAR PROTECT FOAM(20x42x220L)	1
-------	-----------------	--	---

## 25.HANDLE BAR



ITEM	PART NO.	NAME	QTY
25		HANDLE BAR (DRUM BRAKE)	
25-1	E3100-FIA0-9000	HANDLE BAR ASSY.	1
25-2	E3180-9FA0-0010	LEVER ASSY., (RIGHT)	1
25-2-1	E3181-9FA0-0000	LEVEL,RIGHT	1
25-2-2	E319A-5EA0-0000	LEVEL ACCELERATE	1
25-3	E3170-FIA0-0000	LEVEL ASSY., LEFT	1
25-3-1	E3171-FIA0-0000	LEVEL,LEFT	1
25-3-2	E3174-5EA0-0000	BARKE SWITH ASSY.	1
25-4	E3166-5EA0-0000	GRIP HANDLE	1
25-5	E3112-5EA0-0000	HANDLE BAR CLAMP, BOTTOM	1
25-6	E3110-5EA0-0000	HANDLE BAR CLAMP, CAP, LEFT	1
25-7	E3111-5EA0-0000	HANDLE BAR CLAMP, CAP, RIGHT	1
25-8	I0050-06025	SOCKET SCREW(M6x25)	1
25-9	I5611-10200	NUT,FLANGE CHECK	1
25-11	H7111-9FA0-0000	STICKER,HANDLE BAR CLAMP,LEFT	1
25-12	H7112-9FA0-0000	STICKER,HANDLE BAR CLAMP,RIGHT	1
25-13	E3101-5EE0-1000	HANDLE BAR PROTECT (W150x222L)	1
25-14	E3102-5EE0-1000	HANDLE BAR PROTECT FOAM(20x42x220L)	1

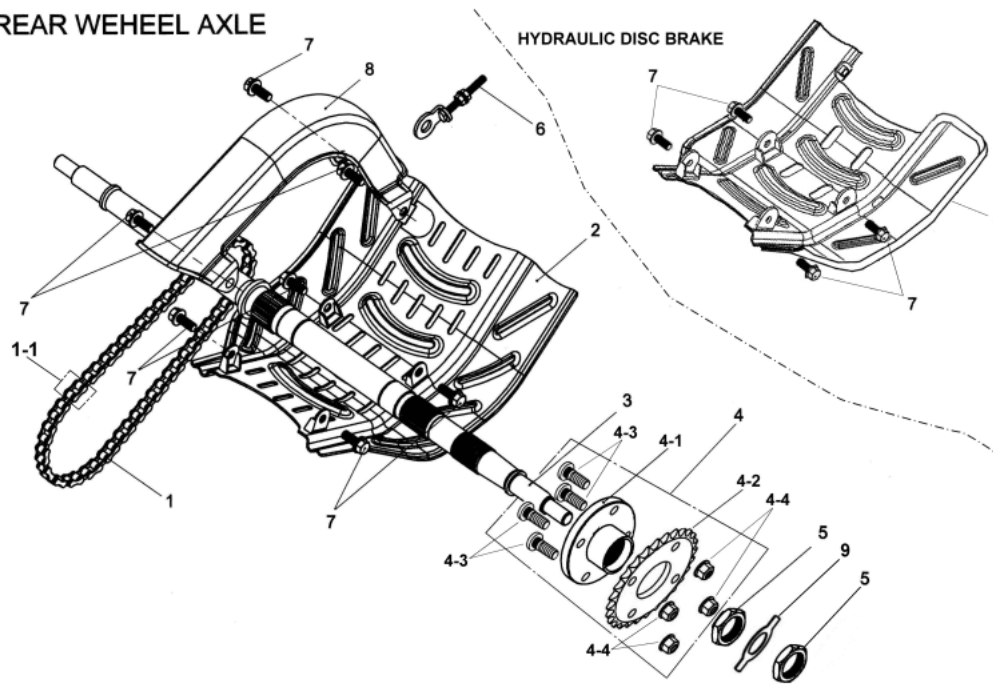
## 26.BUMPER,FOOTREST BAR



ITEM	PART NO.	NAME	QTY
26		BUMPER, FOOTREST	
26-1	E0700-FIA0-0000	FOOTREST BAR	2
26-2	I7507-FIA0-0000	BOLT+WASHER+SPG WASHER	8
26-3	I5616-08200	NUTFLANGE CHECK	4
26-4	I0149-06823	SCREW	8
26-5	E0400-FIB0-0000	BUMPER	1
26-6	E0410-FIA0-1000	REAR BAR ASSY.	1
26-7	E0412-FIA0-0000	TAIL LIGHT HOLDER	1
26-8	I0149-06012	BOLT,FLANGE	2
26-9	I0105-08040	BOLT, FLANGE	2
26-10	E0411-FIB0-0000	REAR PACK	1
26-11	E0413-FIB0-0000	FRONT PACK	1
26-12	E0117-9EA0-0000	BUTTON HEAD SCREW(M6×18)	12
26-13	E0402-9FA0-0000	COLLAR,BUMPER	2
26-15	I5611-06200-0G	NUT,SELF LOCK(M6)	4
26-16	C510C-FIA0-0000	RUBBER PAD	2
26-17	I0149-08016	SCREW ,FLANGE	14
26-18	I9901-08100	SPRING WASHER	4
26-19	F4000-FIB0-0000	CARRIER COVER FRONT	1
26-19-1	H7116-FIB0-0000	FRONT REFLECTOR,STICKER	2
26-19-2	C1501-FIB0-0000	FOAM-RUBBER STICK	5
26-19-3	H7113-9FB0-0000	CARRIER COVER,STICKER	1
26-20	F4001-FIB0-0000	CARRIER COVER REAR	1

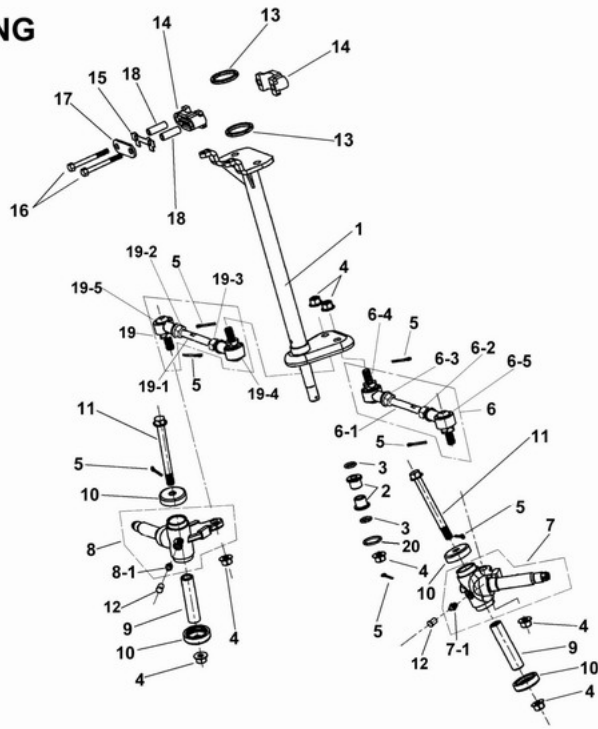
26-20-1	H7117-FIB0-0000	REAR REFLECTOR,STICKER	2
26-20-2	C1501-FIB0-0000	FOAM-RUBBER STICK	5
26-20-3	H7113-9FB0-0000	CARRIER COVER,STICKER	1

## 27.REAR WEHEEL AXLE



ITEM	PART NO.	NAME	QTY
27		REAR WHEEL AXLE	
27-1	D0100-FIB0-0000	DRIVE CHAIN ASSY.	1
27-1-1	D0104-FIC0-0000	MASTERLINK (#520)	1
27-2	D0101-FIA0-0000	PROTECT COVER	1
27-3	D2301-5IK0-0000	REAR AXLE	1
27-4	D0110-FIA0-0000	SPROCKET HOLDER,REAR ASSY.	1
27-4-1	D0111-FIA0-0000	SPROCKET HOLDER,REAR(34T)	1
27-4-1	D0111-FIA0-0000	SPROCKET HOLDER,REAR(34T)	1
27-4-2	D1111-FIA0-0000	GEAR(520X34T)	1
27-4-2	D1111-FIA0-0000	GEAR(520X34T)	1
27-4-3	D2706-9EA0-0000	BOLT	4
27-4-3	D2706-9EA0-0000	BOLT	4
27-4-4	I5611-10200	NUT,FLANGE CHECK	4
27-4-4	I5611-10200	NUT,FLANGE CHECK	4
27-5	D2302-FIA0-0000	NUT REAR WHEEL AXLE(M28x1.5)	2
27-6	D0120-FIA0-0000	ADJUSTER, CHAIN	1
27-7	I0149-08016	SCREW ,FLANGE	7
27-8	D0102-FIA0-0000	DRIVE CHAIN COVER	1
27-9	D2303-GJA0-0000	PLATE FIXED REAR AXLE(USED WITH D2301-GJ)	1

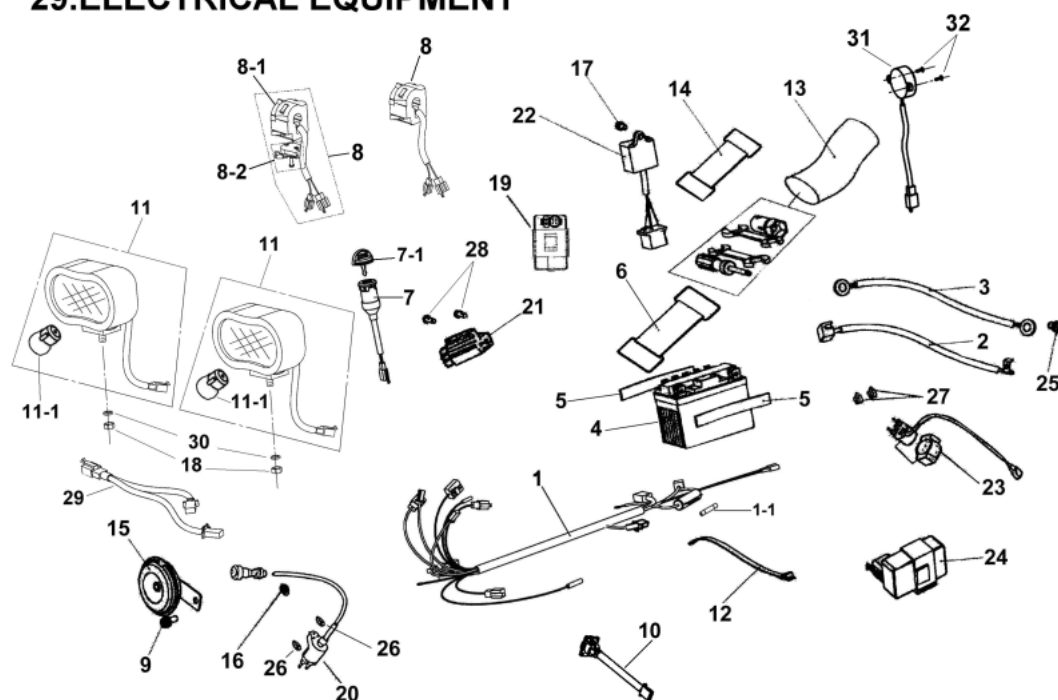
## 28.STEERING



ITEM	PART NO.	NAME	QTY
28		STEERING	
28-1	E3200-FIA0-1000	SHAFT ASSY., STEERING	1
28-2	E3201-FIA0-0000	OIL LINER	2
28-3	E3204-FIA0-0000	O-RING (W2.4xd14.8)	2
28-4	I5611-10200	NUT,FLANGE CHECK	7
28-5	I9900-25019	COTTER PIN	7
28-6	E0258-GJA0-0000	STEERING TIE-ROD ASSYLEFT	1
28-6-1	E0251-FIA0-1000	BOLT,STUD	1
28-6-2	E0252-5EA0-0000	NUT (R)	1
28-6-3	E0253-5EA0-0000	NUT (L)	1
28-6-4	E0255-GJA0-0000	UNIVERSAL JOINT(L)	1
28-6-5	E0256-GJA0-0000	UNIVERSAL JOINT(R)	1
28-7	E0205-FIA0-1000	KNUCKLE, LEFT	1
28-7-1	I6600-06000	GREASE VALVE(1/4")	1
28-8	E0215-FIA0-1000	KNUCKLE, RIGHT	1
28-8-1	I6600-06000	GREASE VALVE(1/4")	1
28-9	E0211-9FA0-0000	SLEEVE	2
28-10	E0203-9FA0-0000	CAP	4
28-11	I5701-10105-0A	FLANGE PIN HOLE BOLT(M10X105)	2
28-12	E0209-5EA0-9000	CAP, GREASE VALVE	2
28-13	E3209-FIA0-0000	OIL SEAL(31.8x37.8x4)	2
28-14	E3202-FIA0-0000	HOLDER, STEERING SHAFT	2
28-15	E3203-FIA0-0000	FIX PLATE, STEERING SHAFT	1
28-16	I0020-08060	BOLT	2

28-17	E3210-FIA0-0000	HOLDER, STEERING SHAFT PRESSED PLATED	1
28-18	E3208-FIA0-0000	STEERING , COLLAR	2
28-19	E0259-GJA0-0000	STEERING TIE-ROD ASSYRIGHT	1
28-19-1	E0251-FIA0-1000	BOLT,STUD	1
28-19-2	E0252-5EA0-0000	NUT (R)	1
28-19-3	E0253-5EA0-0000	NUT (L)	1
28-19-4	E0255-GJA0-0000	UNIVERSAL JOINT(L)	1
28-19-5	E0256-GJA0-0000	UNIVERSAL JOINT(R)	1
28-20	I4608-09424	O-RING	1

## 29.ELECTRICAL EQUIPMENT



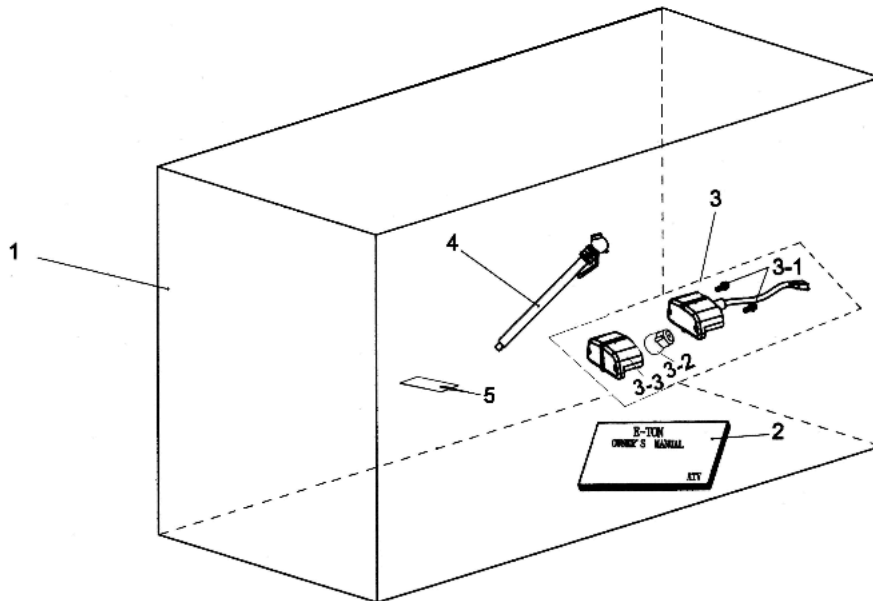
ITEM	PART NO.	NAME	QTY
29		ELECTRICAL EQUIPMENT	
29-1	C2100-FIA0-0000	MAIN WIRE ASSY.	1
29-1-1	C2010-FIA0-0000	FUSE (10A)	1
29-2	C2101-FIA0-0000	POSITIVE HIGHT PRESSURE CABLE	1
29-3	C2102-FIA0-1000	NEGATIVE LOW PRESSURE CABLE	1
29-4	C1500-FIA0-0000	BATTERY	1
29-5	C1501-9FA0-0000	FOAM STICK,BATTERY	2
29-6	C1502-9FA0-0000	RUBBER CLAMP, BATTERY(89L)	1
29-7	C5010-9FA0-0000	MAIN SWITCH	1
29-7-1	C5013-9FA0-0000	MATERIAL KEK (RIGHT CUT)	1
29-7-2	C5018-9FA0-0000	MATERIAL KEK (LEFT CUT)	1
29-8	C5200-FIA0-0000	LEVER HOLDER ASSY., LEFT	1
29-9	I8556-06016	SCREW WASHER	1
29-11	C5030-FIB0-0000	HAED LIGHT	2
29-11-1	C5003-FIB0-0000	BULB,HEADLIGHT(12v 20w)	2
29-12	H3936-5AA0-0000	WIRE CLAMP	1
29-13	H9020-FIA0-0000	TOOL PACK	1
29-14	H9021-9FA0-0000	WIRE CLAMP	1
29-15	C8110-5BA0-E000	HORN	1
29-16	I0020-05024	BOLT(M5x24)	1
29-17	I8556-06012	SCREW WASHER	1
29-18	I5800-08300	NUT,FLANGE CHECK(M8)	2
29-19	C0410-V30-9001	UNIT COMP C.D.I (SPEED LIMIT)	1

29-20	C051A-FIA0-0010	IGNITION COIL ASSY.	1
29-21	C1600-B00-9000	RECTIFIER & REGULATOR	1
29-22	C1850-V30-0000	PTC CONTROLLER	1
29-23	C5850-A04-0000	STARTER RELY ASSY.	1
29-24	C576A-V30-0000	COUPLER LIGHT UNIT	1
29-25	I8557-06012	SCREW WASHER	1
29-26	I2140-60001	WASHER	2
29-27	I2020-60000	NUT, HEXAGON	2
29-28	I0153-06839	SCREW	2
29-29	C5033-FIB0-0000	HEAD CAMP MAIN WIRE	1
29-30	I9901-08100	SPRING WASHER	2
29-31	C8400-EMA0-0000	BUZZER	1
29-32	I2600-03008	SCREW	2

No picture.

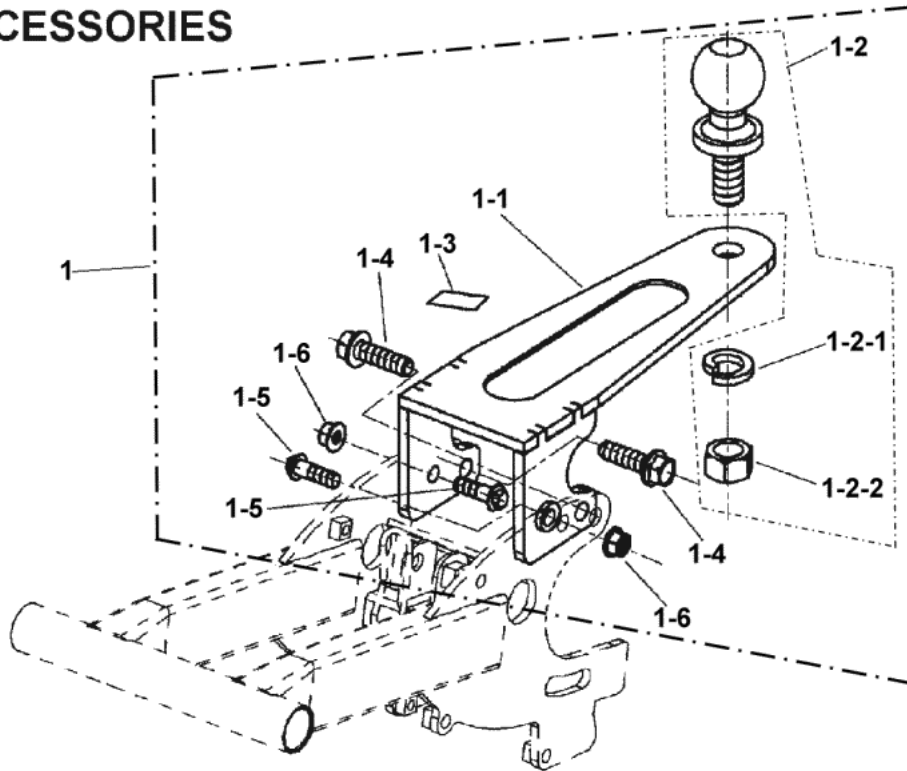
ITEM	PART NO.	NAME	QTY
30		PACKING CASE,EXTERNAL(HYDRAULIC DISC BRA	

### 30.PACKING CASE,EXTERNAL



ITEM	PART NO.	NAME	QTY
30		PACKING CASE,EXTERNAL(DRUM BRAKE)	
30-1	H9500-FIB0-0000	PACKING CASE,EXTERNAL	1
30-2	H990A-FIB9-0000	OWNER'S MANUAL	1
30-2-1	H9900-FIB9-0000	OWNER'S MANUAL	1
30-3	C5031-FIA0-1000	TAIL LIGHT	1
30-3-1	I8501-06010	SCREW PAN	2
30-3-2	C5004-FIA0-0000	BULB,TAILLIGJT(21w/5w)	1
30-3-3	C5005-FIA0-0000	LAMP SCALE	1
30-4	H9022-5EA0-0000	TIRE PRESSURE GAUGE	1

### 31.ACCESSORIES



ITEM	PART NO.	NAME	QTY
31		ACCESSORIES	
31-1	E041C-FIB0-0000	VEHICLE A HOOK ASSY.	1
31-1-1	E0418-FIB0-0000	VEHICLE A HOOK	1
31-1-2	E0419-FIB0-0000	VEHICLE A HOOK BALL(47.3)	1
31-1-2-1	I3300-20000-0B	SPRING WASHER	1
31-1-2-2	I4100-19016	NUT	1
31-1-3	H7118-FIB0-0000	STICKER,WARNING	1
31-1-4	I0141-12040-01	BOLT ,FLANGE	2
31-1-5	I0149-10030	BOLT,FLANGE (M10x30)	2
31-1-6	I5611-10200	NUT,FLANGE CHECK	2
31-2	M1100-LRA0-0000	LUGGAGE BAGS	1

No picture.

ITEM	PART NO.	NAME	QTY
32		KIT DESCRIPTION	
32-1	A2251-A08-0000	GASKET CYLINDER HEAD	1
32-2	A2100-A08-0000	CYLINDER COMP	1
32-3	A2191-A08-0000	GASKET CYLINDER	1
32-4	A3011-A08-0000	RING SET,PISTON	1
32-5	A3111-A08-0000	PIN,PISTON	1
32-6	A3101-A08-0000	PISTON	1
32-7	I4601-15000	CLIP,PISTON PIN 15mm	2

No picture.

ITEM	PART NO.	NAME	QTY
33		BUMPER ASSY	
33-1	E040A-FIB0-0000	BUMPER ASSY	1
33-1-1	E0400-FIB0-0000	BUMPER	1
33-1-2	E0413-FIB0-0000	FRONT PACK	1
33-1-3	F4001-FIC0-0000	CARRIER COVER REAR	1
33-1-3-1	C1501-FIB0-0000	FOAM-RUBBER STICK	1
33-1-3-1	C1501-FIB0-0000	FOAM-RUBBER STICK	5
33-1-3-2	H7113-9FB0-0000	CARRIER COVER,STICKER	7
33-1-3-2	H7113-9FB0-0000	CARRIER COVER,STICKER	1
33-1-3-3	C3741-5BA0-0000	RETRO REFLECTOR	1
33-1-3-4	I2020-50001	NYLON NUT(M5)	1
33-1-4	E0117-9EA0-0000	BUTTON HEAD SCREW(M6×18)	12
33-1-5	I0149-08016	SCREW ,FLANGE	14
33-1-6	I5616-08200	NUTFLANGE CHECK	4
33-1-7	H9510-FIB0-0000	BOX COVER FRONT	1

No picture.

ITEM	PART NO.	NAME	QTY
34		TOOL	
34-1	C1110-B00-FT1	TACKING ACG FLY WHEEL TOOL	1